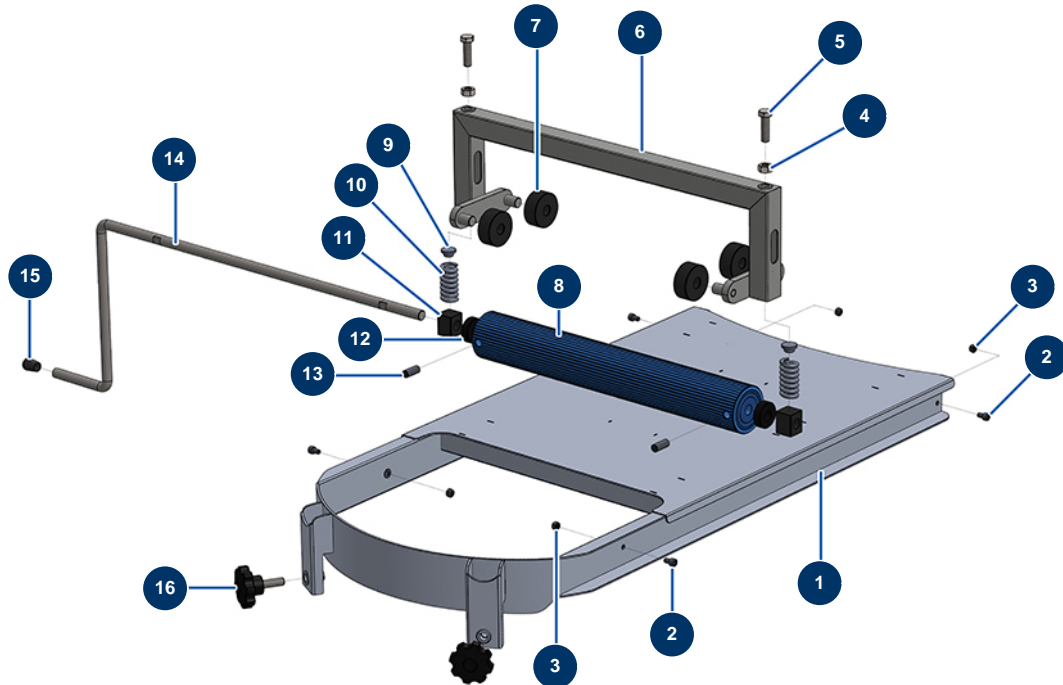


Bag roller for DROPPRO 30P - General view



Détails des pièces

Pos.	Référence	Désignation
1	C21602	1
2	90798	M6 x 10 cylindrical head screw - CP 60 cylindrical head screw
3	20004	M 6 nylstop nut
4	90453	M 10 nut
5	12934	THEF 10 x 35 screw
6	90580	14P bag roller U-bolt
7	10056	Bag roller caster
8	90462	14 P, JETPRO 80 bag roller drum
9	10059	Bag roller spring pawl
10	10069	Bag roller stainless steel spring
11	10058	Bag roller drum bearing
12	10053	Slice for bag roller spacer
13	80689	Bag roller drum countersunk head screw

Pos.	Référence	Désignation
14	M10294	JETPRO 80 bag roller crank
15	30327	Black plastic end cap for ø 14 round tube
16	12262	Plastic thumb wheel M 10 x 30