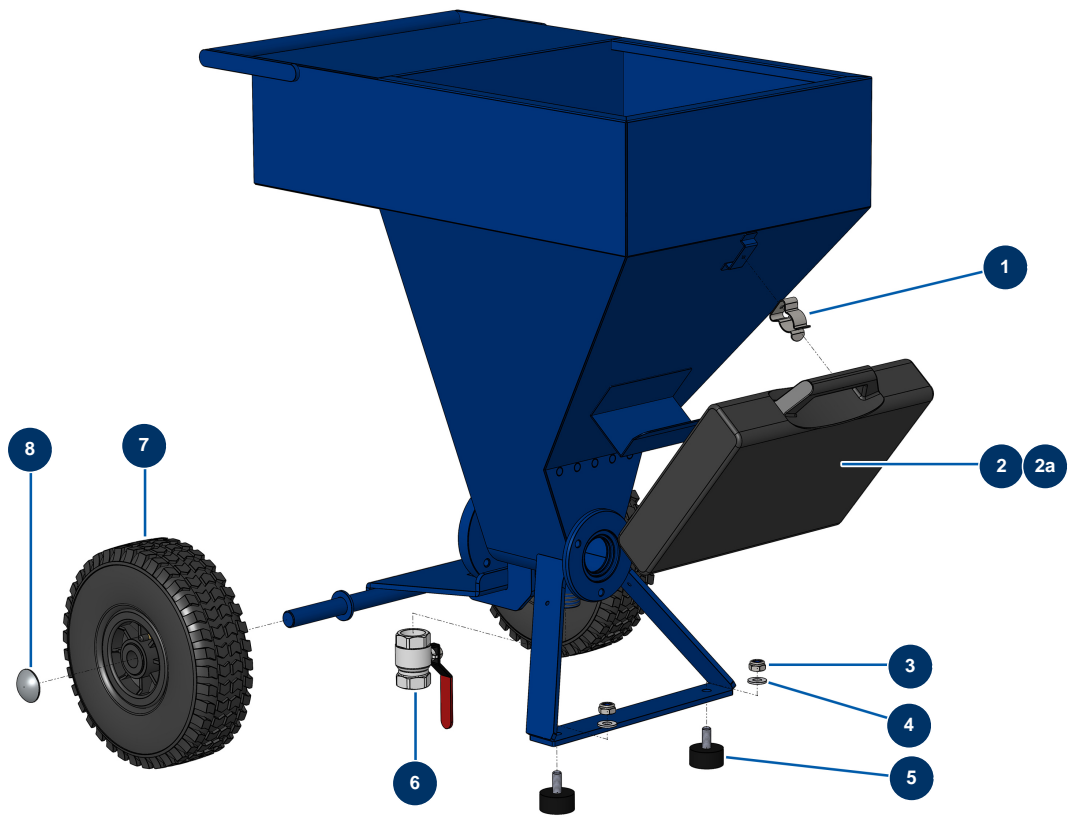


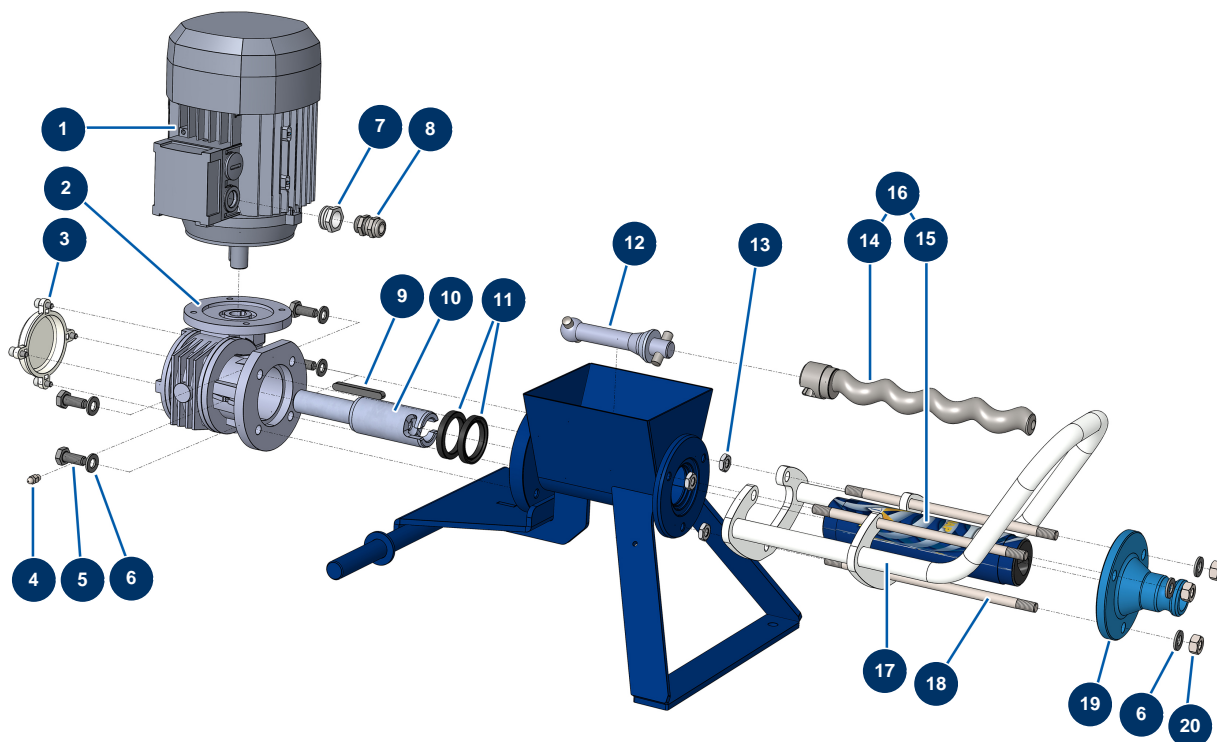
DROPPRO 8P spraying machine - Chassis



Détails des pièces

Pos.	Référence	Désignation
1	80582	Case support spring
2	90656	8P & 14P ABS lance complete carry-case
2a	12270	8, 14 and 24P ABS spray lance
3	13981	M 10 nylstop inox nut
4	80261	ø 10 inox medium washer
5	30145	Ø 40 x 20 M10 stop
6	70031	Drain valve for EUROPRO 4-6-8-14 P, MPE, AG, 7000z, 9000z
7	80001	Complete wheel 260 shaft of 20 for 6,8,14P, MPE 80 and 200, 7000z, 9000z
8	90281	Ø20 chromed clip

DROPPRO 8P spraying machine - Transmission (from 01/2022)

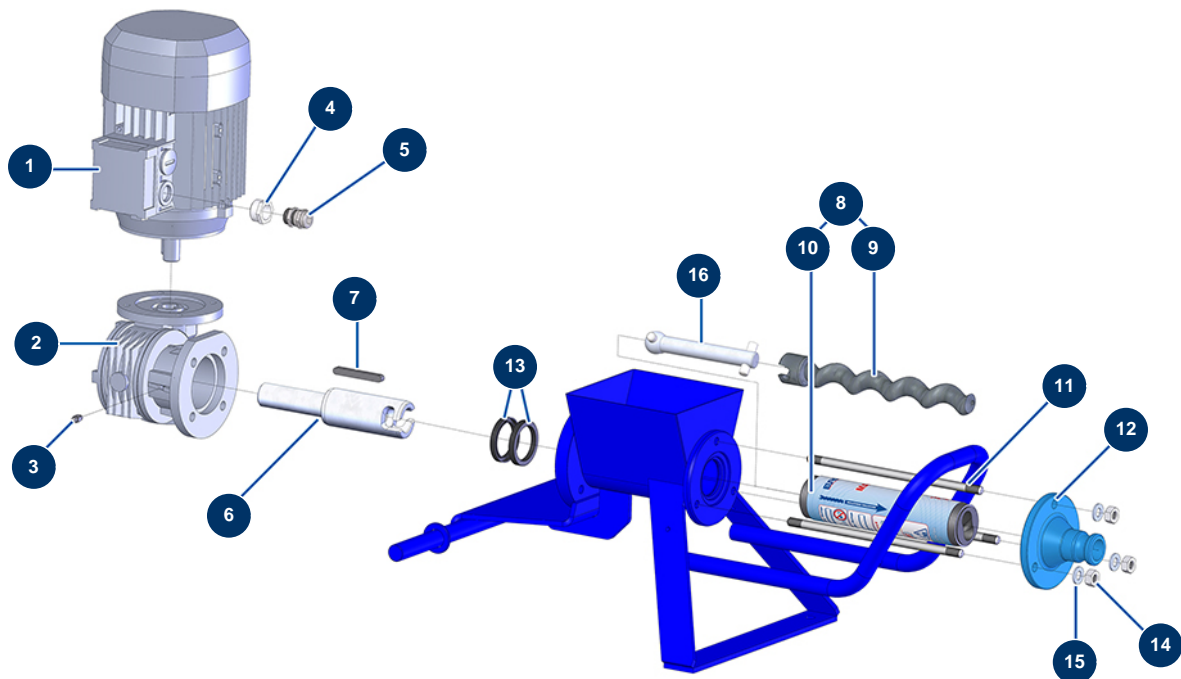


Détails des pièces

Pos.	Référence	Désignation
1	30043	Electric motor 1,1 kW - T80 - B14 - 1400 rpm - 400V
2	14498	Speed reducer 90° - T50 - R15 - B14/T90
3	10007	6 & 8 P gearing plastic cover
4	60012	M6 straight lubricator
5	30257	THEF 10 x 25 screw
6	30280	ø 10 inox narrow washer
7	80446	Cable gland reduction M 25-11
8	30040	Nickel plated watertight cable gland of 11 CEM
9	90749	8 x 7 x 65 parallel key with round end for 6P,8P,14P,7000z,9000z
10	M10645	Bayonet drive shaft for DROPPRO 8P, MINIJET 80
11	70062	Spi seal 40 x 52 x 7 for 4,6,8P, AG, MPE, 7000z, 9000z
12	M10649	Connecting rod for DROPPRO 8P, MINIJET 80
13	10140	M10 flat nut

Pos.	Référence	Désignation
14	MI7009107100	EUROPRO MAP 2 pump rotor
15	MI3F00529200	EUROPRO MAP 2 pump stator
16	30443	EUROPRO MAP 2 pump rotor/stator kit
17	C22982	DROPPRO & MINIJET pump handle
18	10034	Fixation tie rod for MAP 2/3
19	10010	Blue stator flange for EUROPRO 8P and 14P
20	13978	M10 inox nut

DROPPRO 8P spraying machine - Transmission (until 12/2021)

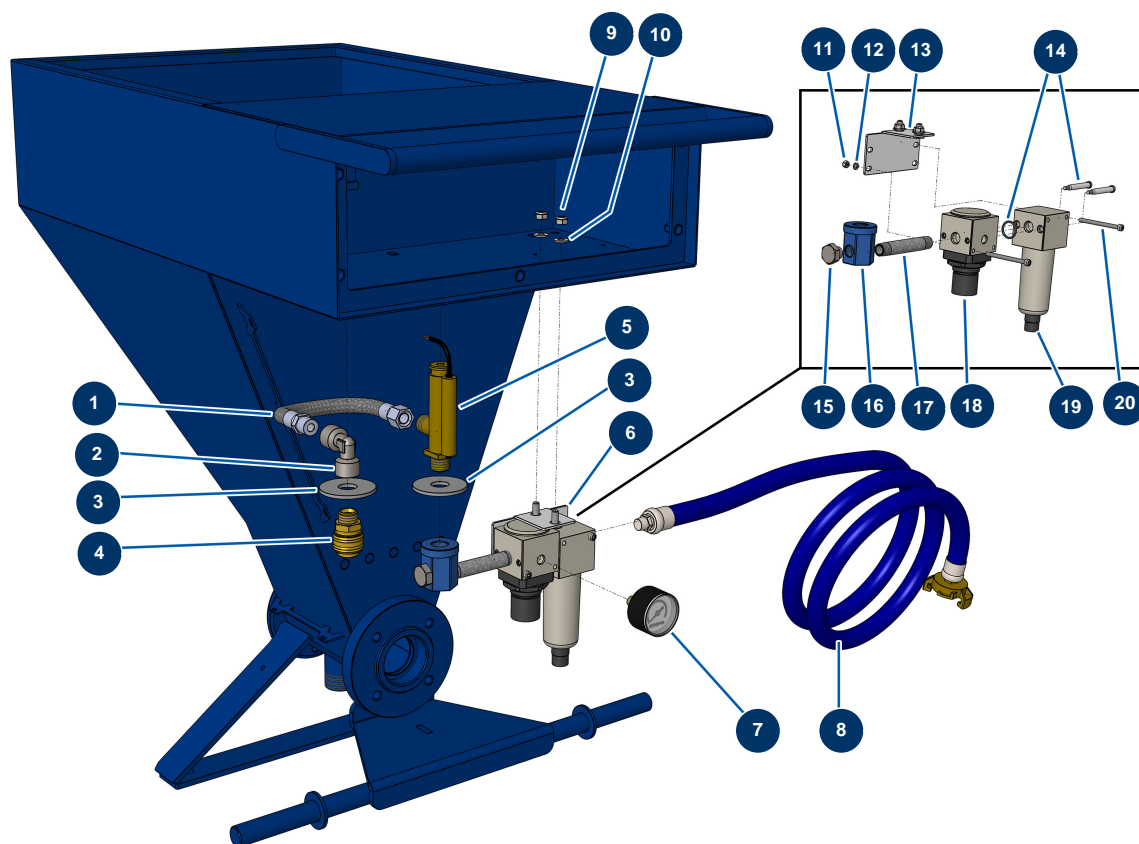


Détails des pièces

Pos.	Référence	Désignation
1	30043	Electric motor 1,1 kW - T80 - B14 - 1400 rpm - 400V
2	30045	Speed reducer 90° - T50 - R20 - B14/T80 - T50 - FA - R15 - B14/T80
3	60012	M6 straight lubricator
4	80446	Cable gland reduction M 25-11
5	30040	Nickel plated watertight cable gland of 11 CEM
6	M10645	Bayonet drive shaft for DROPPRO 8P, MINIJET 80
7	90749	8 x 7 x 65 parallel key with round end for 6P,8P,14P,7000z,9000z
8	30443	EUROPRO MAP 2 pump rotor/stator kit
9	MI7009107100	EUROPRO MAP 2 pump rotor
10	MI3F00529200	EUROPRO MAP 2 pump stator
11	10034	Fixation tie rod for MAP 2/3
12	10010	Blue stator flange for EUROPRO 8P and 14P
13	70062	Spi seal 40 x 52 x 7 for 4,6,8P, AG, MPE, 7000z, 9000z

Pos.	Référence	Désignation
14	13978	M10 inox nut
15	30280	∅ 10 inox narrow washer
16	M10649	Connecting rod for DROPPRO 8P, MINIJET 80

DROPPRO 8P spraying machine - Air circuit

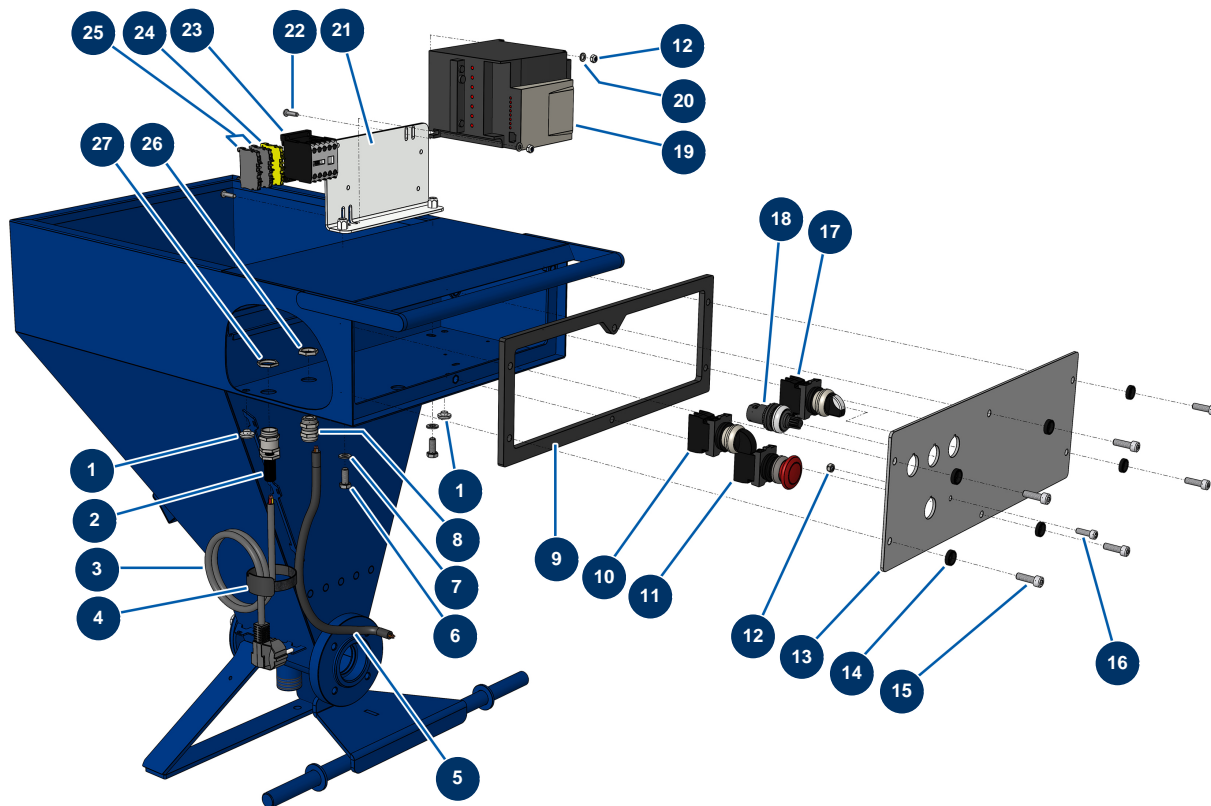


Détails des pièces

Pos.	Référence	Désignation
1	30138	Flow meter air hose 6 and 8 P
2	70024	Elbow BP 90° 3/8 FemaleD x 3/8 FemaleD
3	10003	ø 16 large washer
4	70034	3/8" outer threaded female quick connector
5	30005	Flowmeter for EUROPRO 4-6-8-14 and 24 P
6	14389	1/4" ASCA filter/regulator after-sales service replacement kit
7	80023	Axial manometer 1/8 conical 40 mm 0 to 10 bar
8	90543	6-8-14 and 24 P machine supply air hose
9	14217	M 6 nylstop inox nut
10	80259	Ø 6 medium washer
11	30266	M 4 nylstop nut
12	30267	ø 4 inox narrow washer
13	C22419	DROPPRO 8P & 14P air regulation support

Pos.	Référence	Désignation
14	14385	DropPro 8P & 14P 1/4" filter regulator assembly kit from 01/01/2019
15	30118	1/4" low-pressure male plug
16	10033	6, 8 and 14P nickel-plated brass air inlet coupling
17	90604	Nipple 1/4M-M length 80 mm
18	14383	DropPro 8P & 14P 1/4" air regulator from 01/01/2019
19	14384	Ffilter for DropPro 8 & 14P 1/4" regulator from 01/01/2019
20	14380	4 x 55 cylindrical head screw

DROPPRO 8P spraying machine - Electrical box

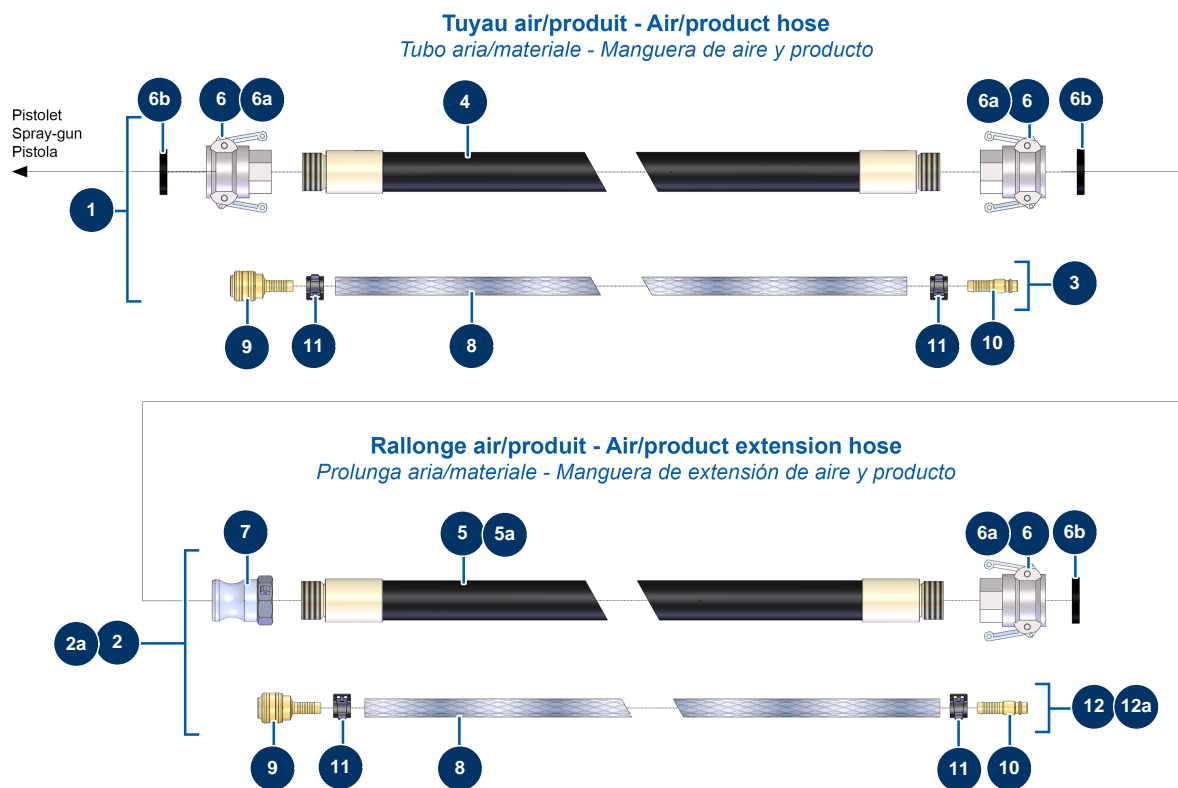


Détails des pièces

Pos.	Référence	Désignation
1	80397	Water exhaust cork for electrical box
2	80450	cable gland for 11mm supply cable
3	90180	Supply cable with moulded plug 3G 1,5 mm ²
4	12411	Self-gripping collar 20 x 330 mm
5	90606	Shielded cable 4 x 1,5 by the metre
6	30273	THEF 8 x 20 screw
7	30256	ø 8 inox narrow washer
8	30040	Nickel plated watertight cable gland of 11 CEM
9	10049	EUROPRO 8 P electrical box gasket
10	30034	Complete ON button
11	90038	Complete EMERGENCY STOP button Ø 22
12	11880	M 5 nylon stop nut
13	10006	8 P electrical junction box holder

Pos.	Référence	Désignation
14	80573	Hollow washer Ø 6
15	90996	6 x 20 inox cylindrical head screw
16	90160	5 x 16 cylindrical head screw
17	11338	COMPACT-PRO complete REVERSE-AUTO-MANU button
18	80645	Spraying machine complete potentiometer from MARCH 2003
19	80458	Inverter 230 V - 1,5 kW
20	70085	ø 5 narrow washer
21	10002	4 & 8 P electronic control support
22	20290	5 x 20 10.9 cylindrical head screw
23	30011	230 Volt coil switch for sprayer
24	30038	Yellow and green conductive block 6 mm ²
25	80467	Grey conductor block 4 mm ²
26	30333	Cable gland locknut of 11 CEM
27	30060	11mm cable gland nut

DROPPRO 8P spraying machine - Hoses and extensions

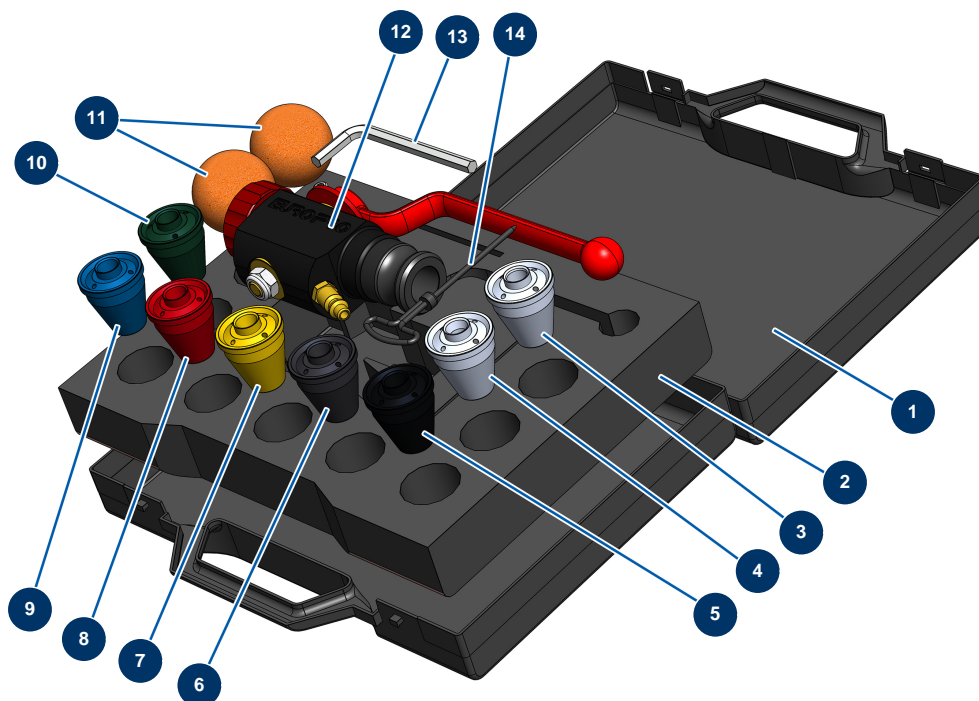


Détails des pièces

Pos.	Référence	Désignation
1	50025	ø 25 x 8 metres air product hose 8 P
2	50046	Air-product extension Ø25 x 5 m
2a	11633	Air-product extension Ø25 x 10 m
3	91063	Complete air hose for lance 8,85 m 6P and 8P
4	50011	25 x 8 m product hose outer threaded 1" for 8P without couplers
5	50010	25 x 5 m product hose outer threaded 1"
5a	50013	25 x 10 m product hose outer threaded 1"
6	70007	1" camlock alu coupling, inner threaded 1" for 6, 8, 14 & 24P
6a	90689	1" cam coupler
6b	70014	1" cam coupler gasket
7	70002	1" inner threaded adapter for 4 to 14P
8	50003	Clear braided PVC hose Ø 10 x 16 by the metre
9	70004	Female quick fit coupling with corrugated shank of 9

Pos.	Référence	Désignation
10	70018	Corrugate male quick fit coupling of 9
11	12218	Spring collar Ø 15
12	91062	Complete air hose for lance 5,25 m 4P
12a	91064	Complete air hose for lance 11,15 m 14P and 24P

DROPPRO 8P spraying machine - Spraying lance



Détails des pièces

Pos.	Référence	Désignation
1	90603	Empty case for lance
2	80221	Spraying lance case wedging foam rubber
3	10052	Grey nozzle Ø 12mm
4	10050	Grey nozzle Ø 10mm
5	10048	Black nozzle Ø 8mm
6	10047	Anthracite nozzle Ø 7mm
7	10046	Yellow nozzle Ø 6mm
8	10045	Red nozzle Ø 5mm
9	10044	Blue nozzle Ø 4mm
10	10043	Green nozzle Ø 3mm
11	20005	Cleaning ball ø 30
12	12270	8, 14 and 24P ABS spray lance
13	101013	7mm Allen key

Pos.	Référence	Désignation
14	90605	Tube brush