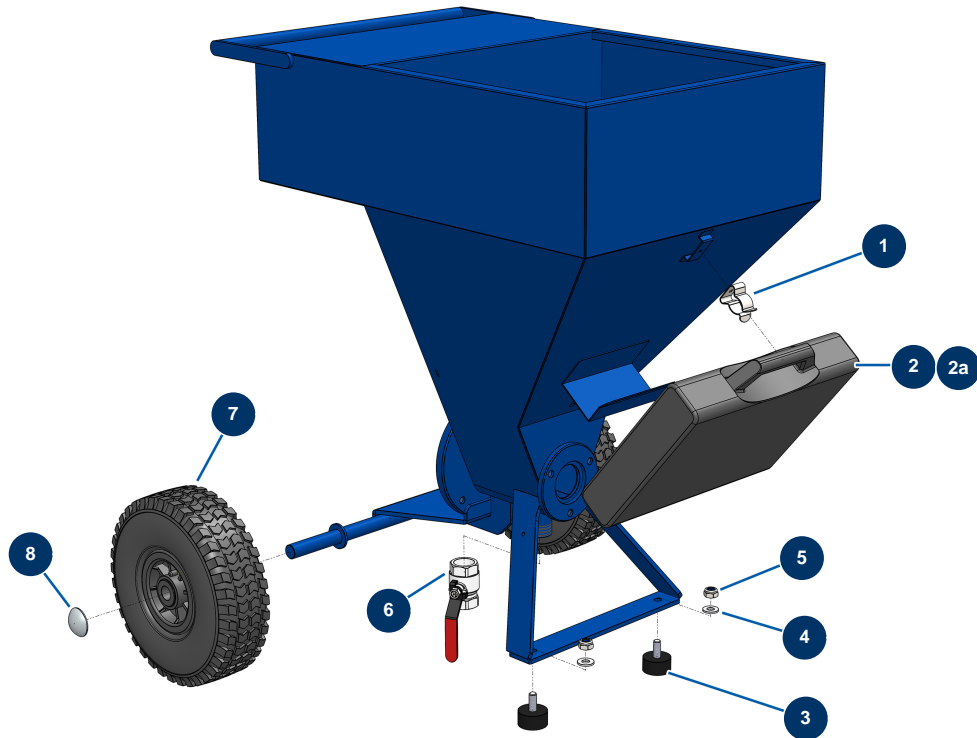


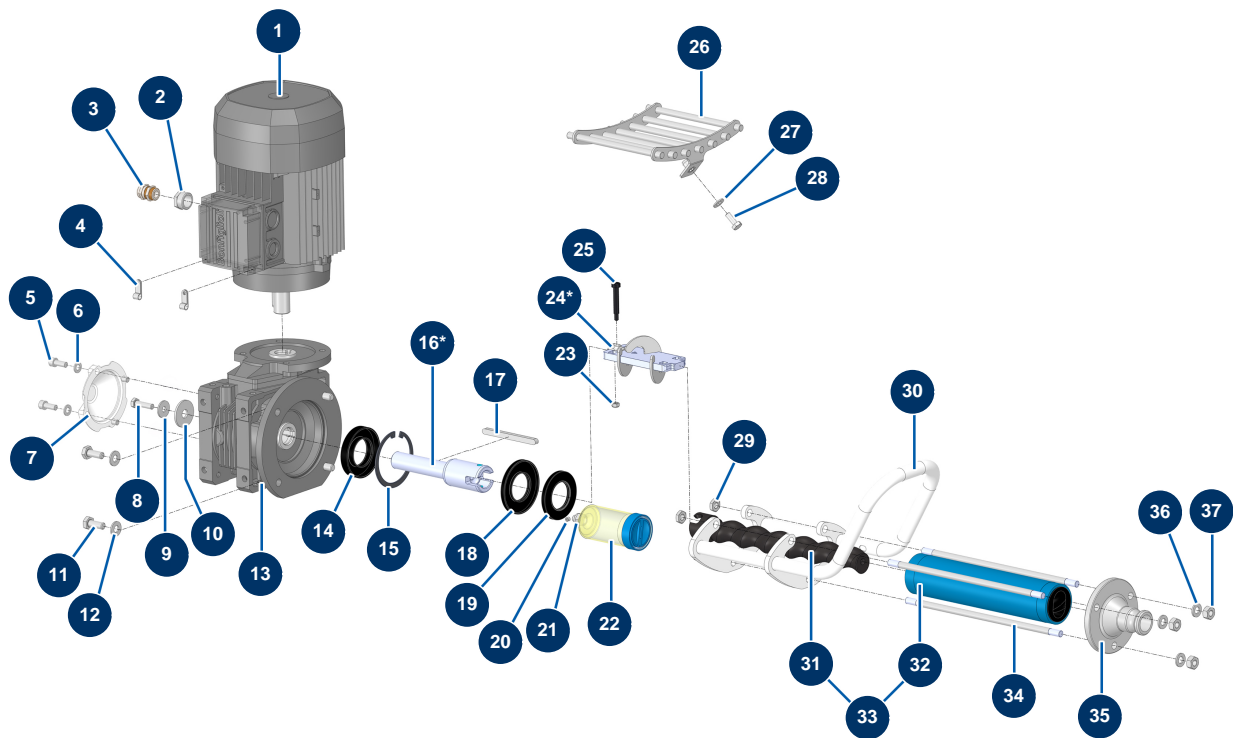
DROPPRO 14P spraying machine - Chassis



Détails des pièces

| Pos. | Référence | Désignation |
|------|-----------|--|
| 1 | 80582 | Case support spring |
| 2 | 90656 | 8P & 14P ABS lance complete carry-case |
| 2a | 12270 | 8, 14 and 24P ABS spray lance |
| 3 | 30145 | Ø 40 x 20 M10 stop |
| 4 | 80261 | ø 10 inox medium washer |
| 5 | 13981 | M 10 nylstop inox nut |
| 6 | 70031 | Drain valve for EUROPRO 4-6-8-14 P, MPE, AG, 7000z, 9000z |
| 7 | 80001 | Complete wheel 260 shaft of 20 for 6,8,14P, MPE 80 and 200, 7000z, 9000z |
| 8 | 90281 | Ø20 chromed clip |

DROPPRO 14P spraying machine - Transmission (from 12/2023)



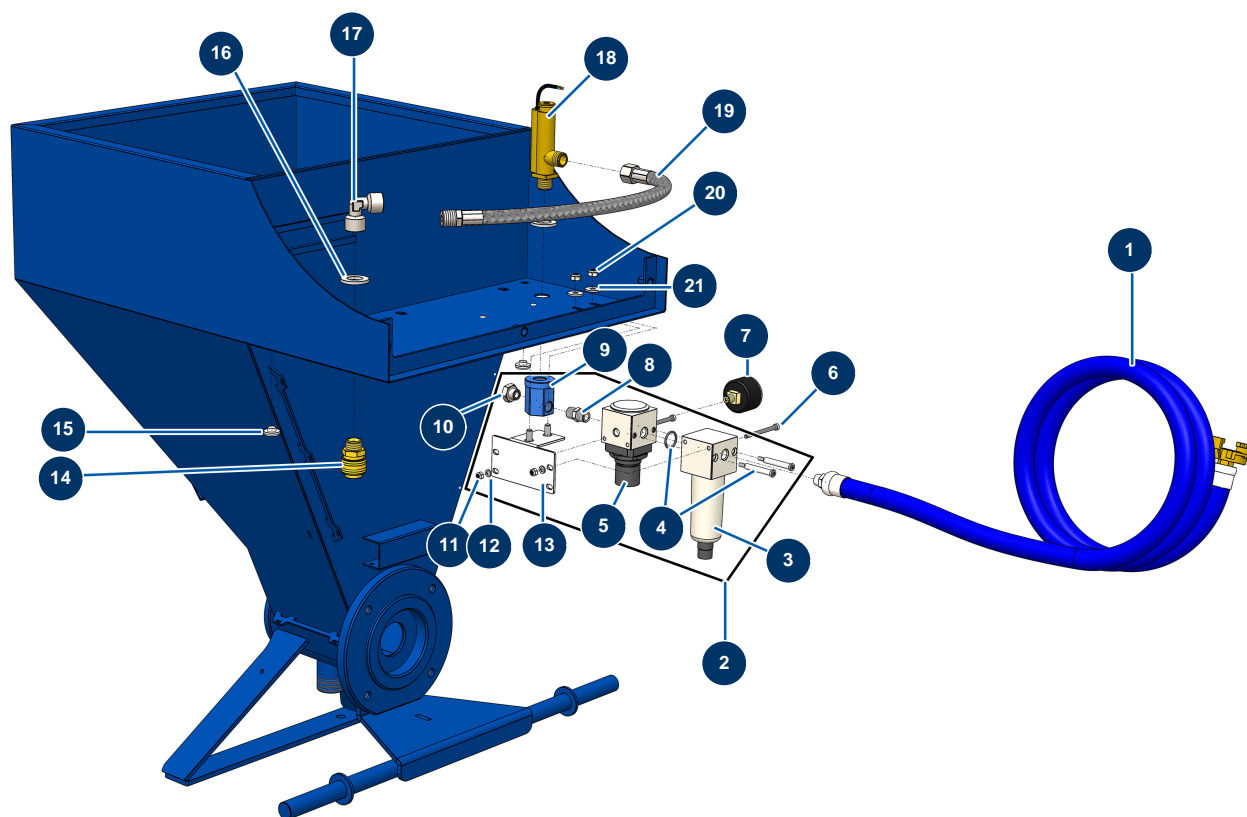
** Pour les modèles avant septembre 2019, il est impératif de commander ces 2 pièces.
For models before September 2019, it is mandatory to order this 2 parts.*

Détails des pièces

| Pos. | Référence | Désignation |
|------|-----------|--|
| 1 | 30044 | Electric motor 1,85 kW - T90 - B14 - 1400 rpm - 400V |
| 2 | 80446 | Cable gland reduction M 25-11 |
| 3 | 30040 | Nickel plated watertight cable gland of 11 CEM |
| 4 | 90266 | Cable support Ø 7.9 |
| 5 | 80470 | 8 x 20 cylindrical head screw |
| 6 | 30256 | ø 8 inox narrow washer |
| 7 | 90287 | 14 P2 & 24 P gear reducer plastic cover |
| 8 | 30205 | THEF 8 x 30 screw |
| 9 | 30292 | ø 8 inox large washer |
| 10 | 30294 | ø 12 inox large washer |
| 11 | 30257 | THEF 10 x 25 screw |
| 12 | 80261 | ø 10 inox medium washer |
| 13 | 90504 | Speed reducer 90° - T63 - R15 - B14/T90 |

| Pos. | Référence | Désignation |
|------|--------------|---|
| 14 | 15219 | Spi seal 40 x 75 x 12 |
| 15 | 15244 | Ø 80 inner circlip |
| 16* | M10817 | MINIJET 120 drive shaft with screw coupling |
| 17 | 90750 | 8 x 7 x 100 parallel key with round end for 24P et PT |
| 18 | 90726 | Spi seal 40 x 80 x 7 for 14P |
| 19 | 15243 | Spi seal 40 x 72 x 7 |
| 20 | 11941 | 6 x 5 stainless steel socket head screw with flat tip |
| 21 | 10899 | 1/8" MaleD x 1/4" FemaleD low-pressure nipple |
| 22 | 90639 | Automatic greaser |
| 23 | 20004 | M 6 nylstop nut |
| 24* | C22978 | MINIJET 120 connecting rod |
| 25 | 90520 | CP 30 rotor screw pin |
| 26 | C22509 | Removable grid for DROPPRO 14P & MINJET 120 |
| 27 | 80260 | ø 8 inox medium washer |
| 28 | 30273 | THEF 8 x 20 screw |
| 29 | 13979 | M10 flat inox nut |
| 30 | C22982 | DROPPRO & MINIJET pump handle |
| 31 | MI7009107200 | EUROPRO MAP 4 pump rotor with slit head |
| 32 | MI3F00529300 | EUROPRO MAP 4 SX pump stator |
| 33 | 30444 | EUROPRO MAP 4 pump rotor/stator kit |
| 34 | 10034 | Fixation tie rod for MAP 2/3 |
| 35 | 10010 | Blue stator flange for EUROPRO 8P and 14P |
| 36 | 30280 | ø 10 inox narrow washer |
| 37 | 13978 | M10 inox nut |

DROPPRO 14P spraying machine - Air circuit

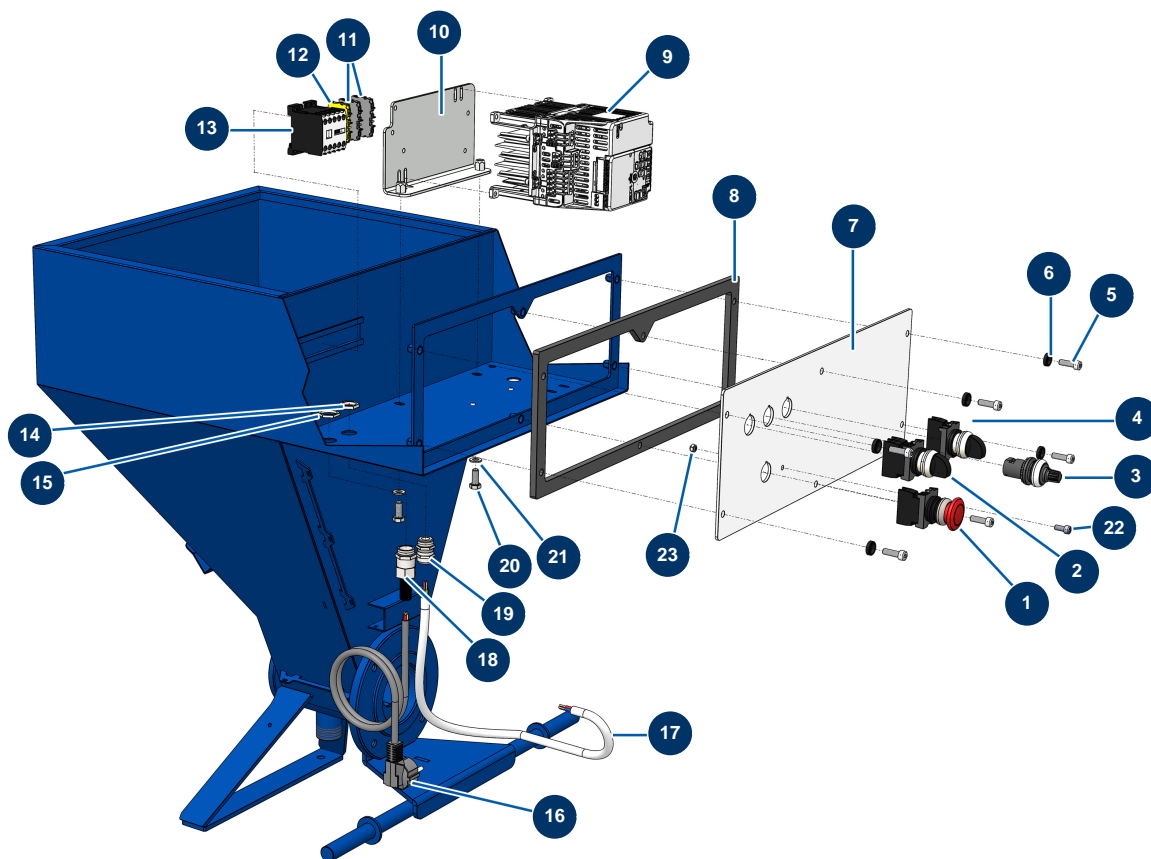


Détails des pièces

| Pos. | Référence | Désignation |
|------|-----------|---|
| 1 | 90543 | 6-8-14 and 24 P machine supply air hose |
| 2 | 14389 | 1/4" ASCA filter/regulator after-sales service replacement kit |
| 3 | 14384 | Ffilter for DropPro 8 & 14P 1/4" regulator from 01/01/2019 |
| 4 | 14385 | DropPro 8P & 14P 1/4" filter regulator assembly kit from 01/01/2019 |
| 5 | 14383 | DropPro 8P & 14P 1/4" air regulator from 01/01/2019 |
| 6 | 14380 | 4 x 55 cylindrical head screw |
| 7 | 80023 | Axial manometer 1/8 conical 40 mm 0 to 10 bar |
| 8 | 70027 | 1/4" MaleC x 1/4" MaleC low-pressure nipple |
| 9 | 10033 | 6, 8 and 14P nickel-plated brass air inlet coupling |
| 10 | 30118 | 1/4" low-pressure male plug |
| 11 | 30266 | M 4 nylstop nut |
| 12 | 30288 | ø 16 inox narrow washer |
| 13 | C22419 | DROPPRO 8P & 14P air regulation support |

| Pos. | Référence | Désignation |
|------|-----------|--|
| 14 | 70034 | 3/8" outer threaded female quick connector |
| 15 | 80397 | Water exhaust cork for electrical box |
| 16 | 10003 | ∅ 16 large washer |
| 17 | 70024 | Elbow BP 90° 3/8 FemaleD x 3/8 FemaleD |
| 18 | 30005 | Flowmeter for EUROPRO 4-6-8-14 and 24 P |
| 19 | 80171 | Flowmeter air hose for 14P |
| 20 | 20004 | M 6 nylstop nut |
| 21 | 30291 | ∅ 6 large washer |

DROPPRO 14P spraying machine - Electrical box

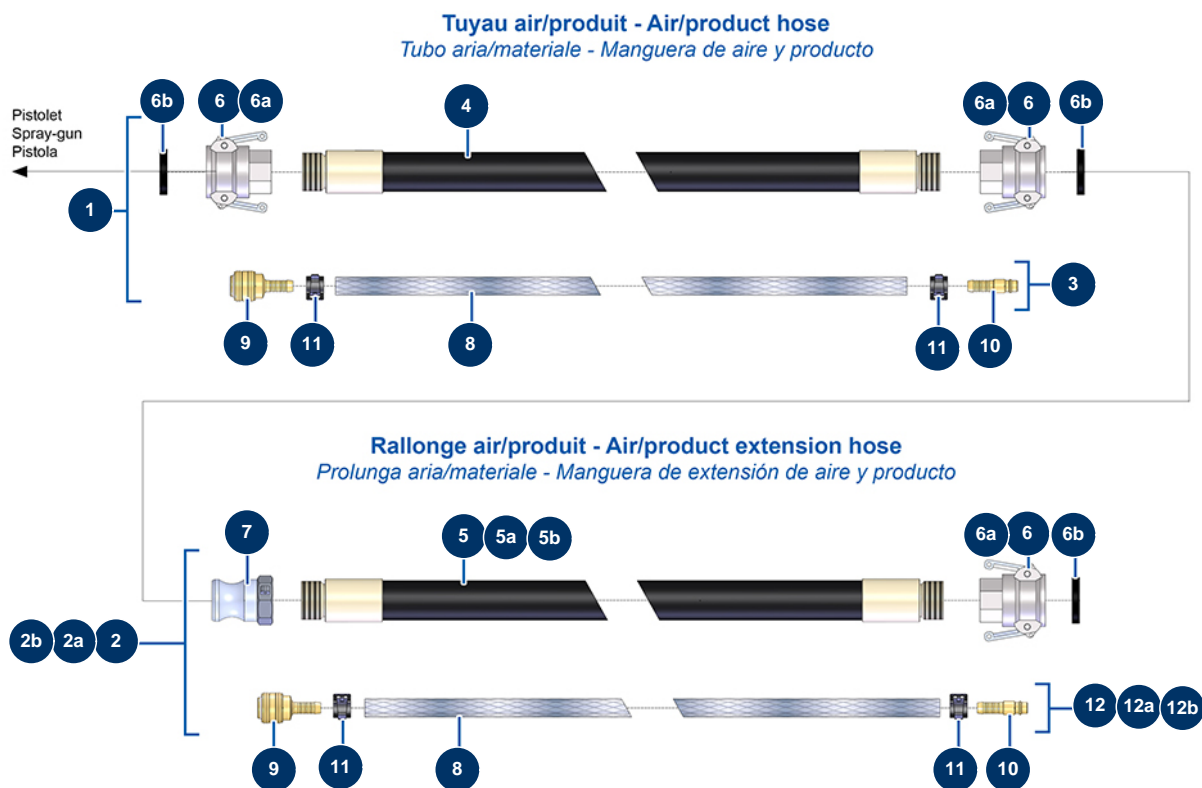


Détails des pièces

| Pos. | Référence | Désignation |
|------|-----------|---|
| 1 | 90038 | Complete EMERGENCY STOP button Ø 22 |
| 2 | 30034 | Complete ON button |
| 3 | 80645 | Spraying machine complete potentiometer from MARCH 2003 |
| 4 | 30014 | Complete MANU-AUTO button |
| 5 | 80470 | 8 x 20 cylindrical head screw |
| 6 | 80573 | Hollow washer Ø 6 |
| 7 | 30272 | 14 P electrical box holder |
| 8 | 90734 | EUROPRO 14 P box gasket |
| 9 | 80458 | Inverter 230 V - 1,5 kW |
| 10 | 10002 | 4 & 8 P electronic control support |
| 11 | 80467 | Grey conductor block 4 mm ² |
| 12 | 30038 | Yellow and green conductive block 6 mm ² |
| 13 | 30011 | 230 Volt coil switch for sprayer |

| Pos. | Référence | Désignation |
|------|-----------|---|
| 14 | 30333 | Cable gland locknut of 11 CEM |
| 15 | 30060 | 11mm cable gland nut |
| 16 | 90180 | Supply cable with moulded plug 3G 1,5 mm ² |
| 17 | 90606 | Shielded cable 4 x 1,5 by the metre |
| 18 | 80450 | cable gland for 11mm supply cable |
| 19 | 30040 | Nickel plated watertight cable gland of 11 CEM |
| 20 | 11544 | THEF 8 x 25 screw |
| 21 | 30288 | ∅ 16 inox narrow washer |
| 22 | 90161 | 5 x 12 inox cylindrical head screw |
| 23 | 11880 | M 5 nylstop nut |

DROPPRO 14P spraying machine - Hoses and extensions

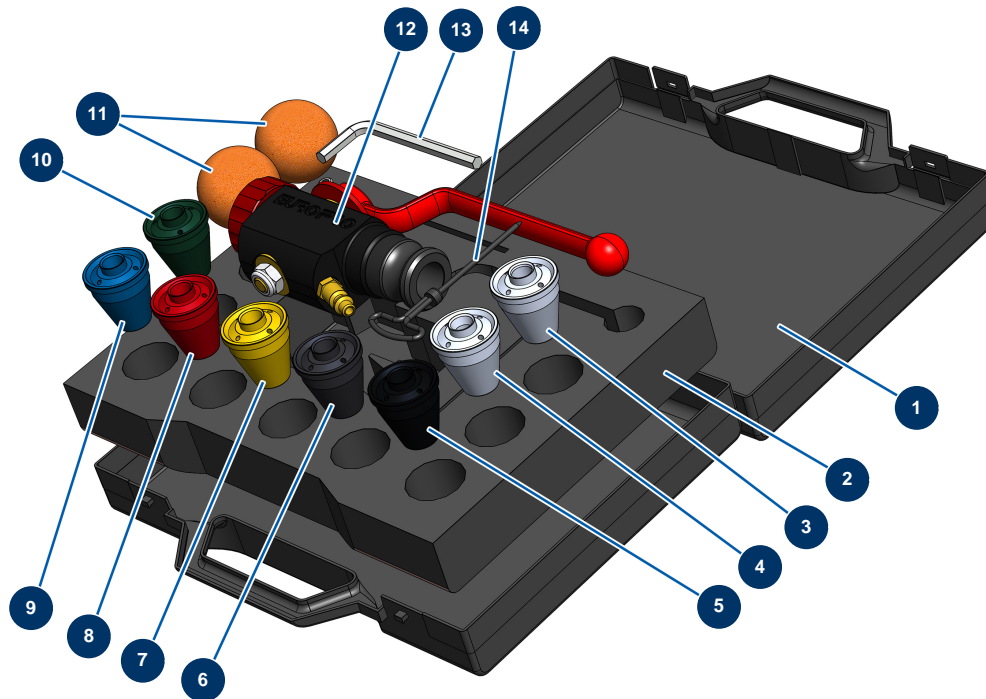


Détails des pièces

| Pos. | Référence | Désignation |
|------|-----------|---|
| 1 | 50026 | ø 25 x 10 metres air product hose 14 P |
| 2 | 50046 | Air-product extension Ø25 x 5 m |
| 2a | 11633 | Air-product extension Ø25 x 10 m |
| 2b | 12213 | Air-product extension Ø25 x 15 m |
| 3 | 91064 | Complete air hose for lance 11,15 m 14P and 24P |
| 4 | 50013 | 25 x 10 m product hose outer threaded 1" |
| 5 | 50010 | 25 x 5 m product hose outer threaded 1" |
| 5a | 50013 | 25 x 10 m product hose outer threaded 1" |
| 5b | 50014 | 25 x 15 m product hose outer threaded 1" without couplers |
| 6 | 70007 | 1" camlock alu coupling, inner threaded 1" for 6, 8, 14 & 24P |
| 6a | 90689 | 1" cam coupler |
| 6b | 70014 | 1" cam coupler gasket |
| 7 | 70002 | 1" inner threaded adapter for 4 to 14P |

| Pos. | Référence | Désignation |
|------|-----------|--|
| 8 | 50003 | Clear braided PVC hose Ø 10 x 16 by the metre |
| 9 | 70004 | Female quick fit coupling with corrugated shank of 9 |
| 10 | 70018 | Corrugate male quick fit coupling of 9 |
| 11 | 12218 | Spring collar Ø 15 |
| 12 | 91062 | Complete air hose for lance 5,25 m 4P |
| 12a | 91064 | Complete air hose for lance 11,15 m 14P and 24P |
| 12b | 13203 | Complete air hose for lance 15,85 m |

DROPPRO 14P spraying machine - Spraying lance

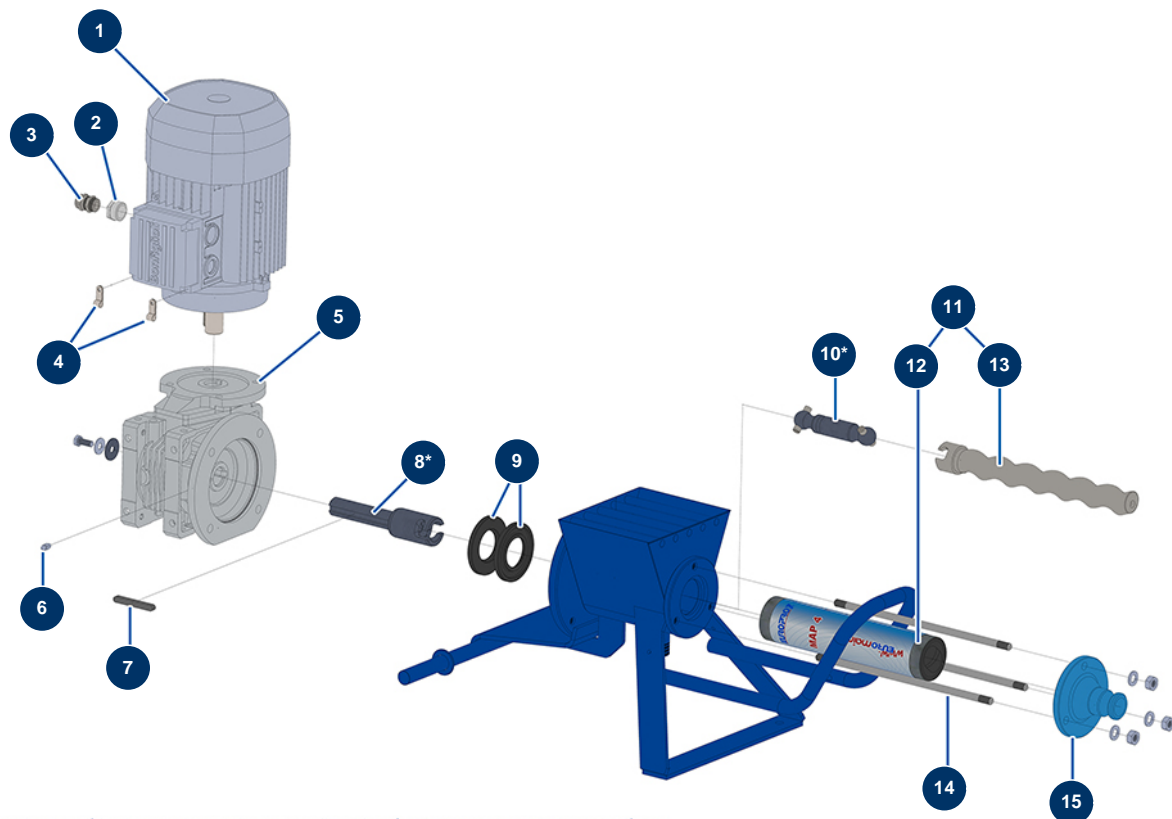


Détails des pièces

| Pos. | Référence | Désignation |
|------|-----------|---|
| 1 | 90603 | Empty case for lance |
| 2 | 80221 | Spraying lance case wedging foam rubber |
| 3 | 10052 | Grey nozzle Ø 12mm |
| 4 | 10050 | Grey nozzle Ø 10mm |
| 5 | 10048 | Black nozzle Ø 8mm |
| 6 | 10047 | Anthracite nozzle Ø 7mm |
| 7 | 10046 | Yellow nozzle Ø 6mm |
| 8 | 10045 | Red nozzle Ø 5mm |
| 9 | 10044 | Blue nozzle Ø 4mm |
| 10 | 10043 | Green nozzle Ø 3mm |
| 11 | 90566 | Cleaning ball Ø 50 |
| 12 | 12270 | 8, 14 and 24P ABS spray lance |
| 13 | 101013 | 7mm Allen key |

| Pos. | Référence | Désignation |
|------|-----------|-------------|
| 14 | 90605 | Tube brush |

DROPPRO 14P spraying machine - Transmission (until 02/2020)



** pour les modèles avant septembre 2019, il est impératif de commander ces 2 pièces.
for models before September 2019, it is mandatory to order this 2 parts.*

Détails des pièces

| Pos. | Référence | Désignation |
|------|--------------|--|
| 1 | 30044 | Electric motor 1,85 kW - T90 - B14 - 1400 rpm - 400V |
| 2 | 80446 | Cable gland reduction M 25-11 |
| 3 | 30040 | Nickel plated watertight cable gland of 11 CEM |
| 4 | 90266 | Cable support Ø 7.9 |
| 5 | 90504 | Speed reducer 90° - T63 - R15 - B14/T90 |
| 6 | 60012 | M6 straight lubricator |
| 7 | 90749 | 8 x 7 x 65 parallel key with round end for 6P,8P,14P,7000z,9000z |
| 8* | M10646 | Bayonet drive shaft for DROPPRO 14P |
| 9 | 90726 | Spi seal 40 x 80 x 7 for 14P |
| 10* | M10661 | DROPPRO 14P connecting rod |
| 11 | 30444 | EUROPRO MAP 4 pump rotor/stator kit |
| 12 | MI3F00529300 | EUROPRO MAP 4 SX pump stator |
| 13 | MI7009107200 | EUROPRO MAP 4 pump rotor with slit head |

| Pos. | Référence | Désignation |
|------|-----------|--|
| 14 | 10035 | Fastening tie rod for EUROPRO 14P, MPE 200, AG 140 |
| 15 | 10010 | Blue stator flange for EUROPRO 8P and 14P |