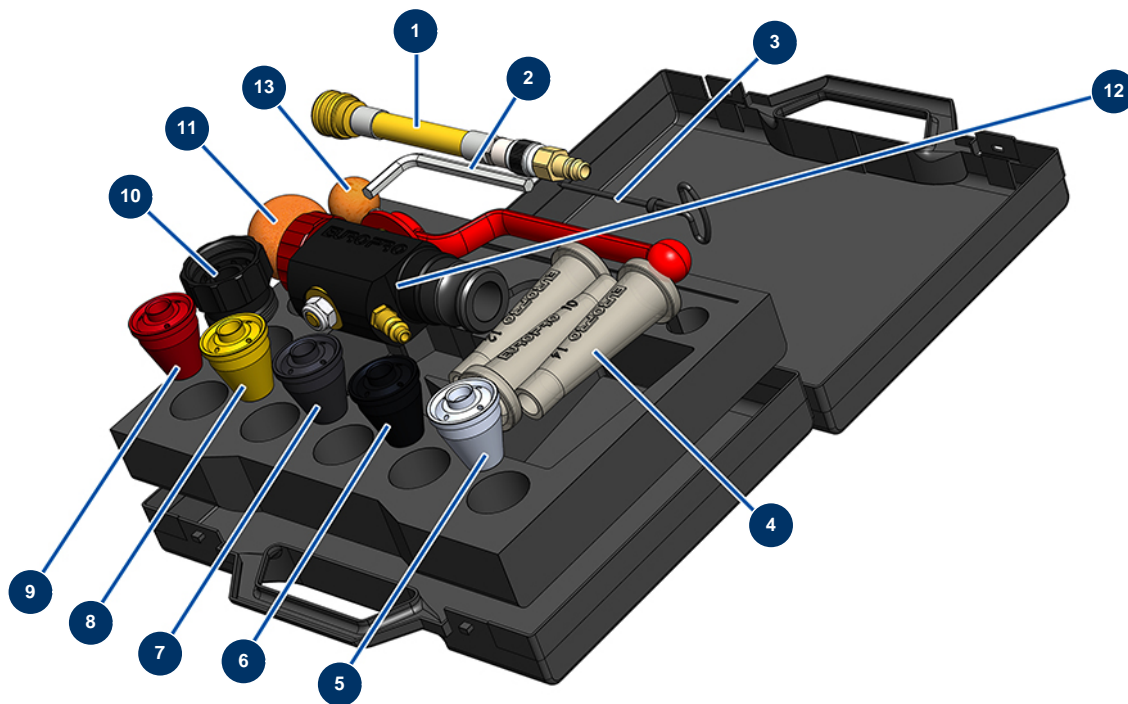


Carry case for E.W.I. ABS spray lance - General view



Détails des pièces

Pos.	Référence	Désignation
1	11414	Air regulation kit for COMPACT-PRO 30 spray lance
2	101013	7mm Allen key
3	90605	Tube brush
4	11759	Set of grouting nozzles Ø 10, 12, 14
5	10050	Grey nozzle Ø 10mm
6	10048	Black nozzle Ø 8mm
7	10047	Anthracite nozzle Ø 7mm
8	10046	Yellow nozzle Ø 6mm
9	10045	Red nozzle Ø 5mm
10	M10062	Exhaust air ring
11	90566	Cleaning ball Ø 50
12	12270	8, 14 and 24P ABS spray lance
13	20005	Cleaning ball ø 30