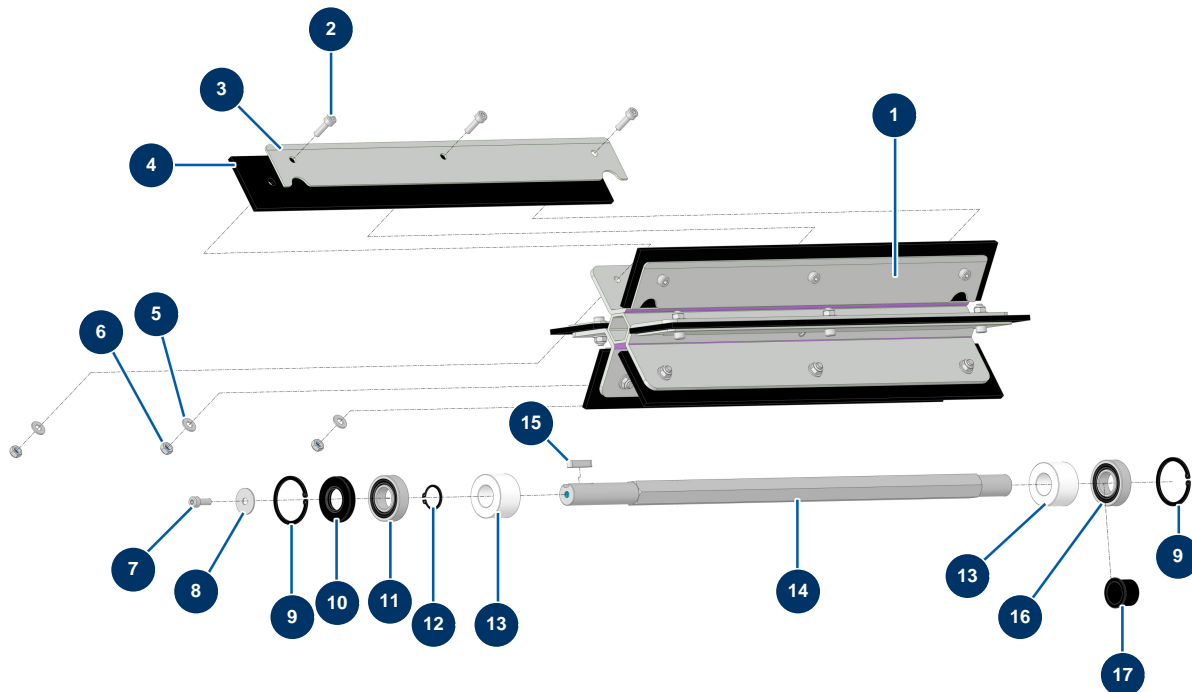


- General view



*\*Uniquement pour TURBISOL 56. / Only for TURBISOL 56. / \*Solo per TURBISOL 56. / \*Sólo para TURBISOL 56. / \*Nur für TURBISOL 56.*

Détails des pièces

Pos.	Référence	Désignation
1	C23153	TURBISOL 56, 112 & 164 hexagonal rotating distributor
2	90996	6 x 20 inox cylindrical head screw
3	C20040	Blowing machine paddle fixing detachable support
4	11992	Set of 6 foam-rubber blades for version 2 blowing machine distributor
5	80259	Ø 6 medium washer
6	20004	M 6 nylstop nut
7	90157	M6 x 16 cylindrical head screw - CP 60
8	80262	Very large inox washer Ø 6
9	12210	Blowing machine distributor Ø 42 inner circlip
10	80613	Spi seal 20 x 42 x 7
11	12944	TURBISOL 112 blowing machine distributor bearing with conical holder
12	12318	Ø 20 outer circlip
13	11907	Felt gasket Ø 20 x 40 for TURBISOL 56, 112 & 164 blowing machine

<b>Pos.</b>	<b>Référence</b>	<b>Désignation</b>
14	M10787	TURBISOL 56, 112 & 164 hexagonal distributor shaft
15	12000	6 x 6 x 29 parallel key with round end
16	12209	TURBISOL 56 and 112 blowing machine distributor bearing
17	11904	Blowing machine 20 x 24 x 20 small flange bearing