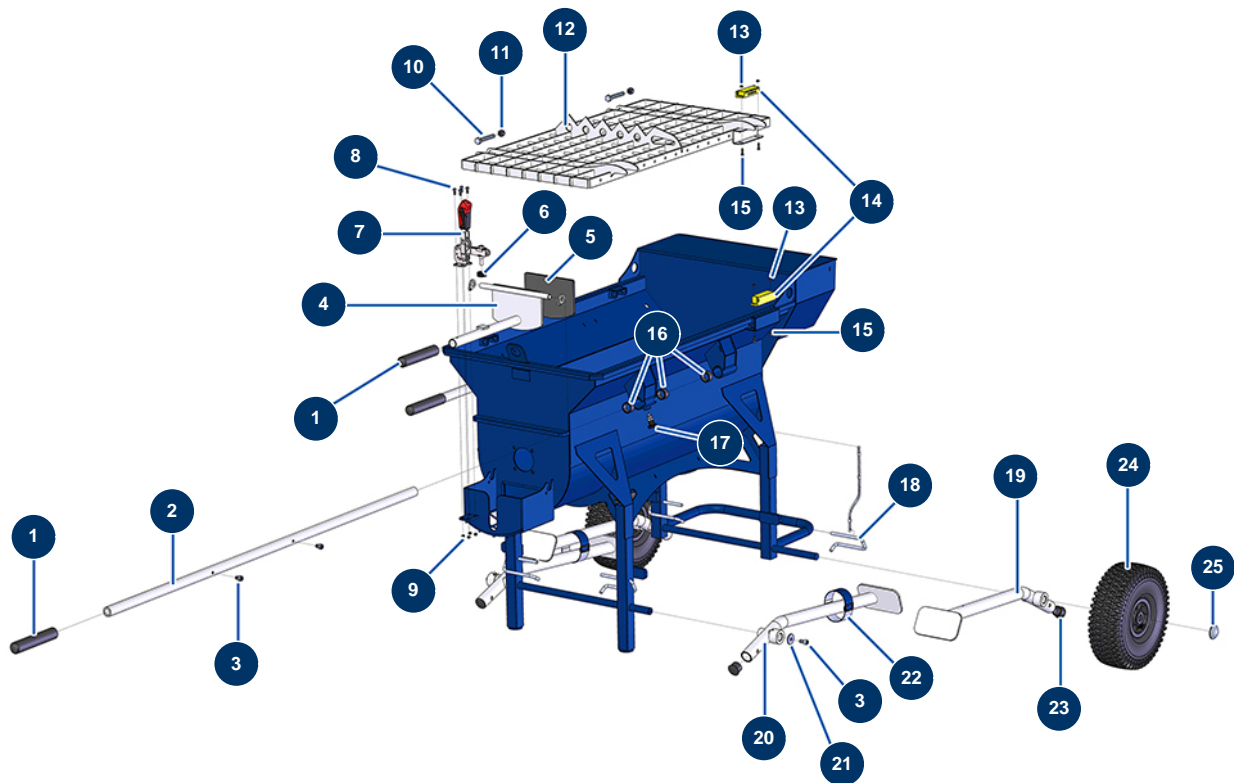


MIXPRO 100 - 400V TETRA sequential mixer - Chassis

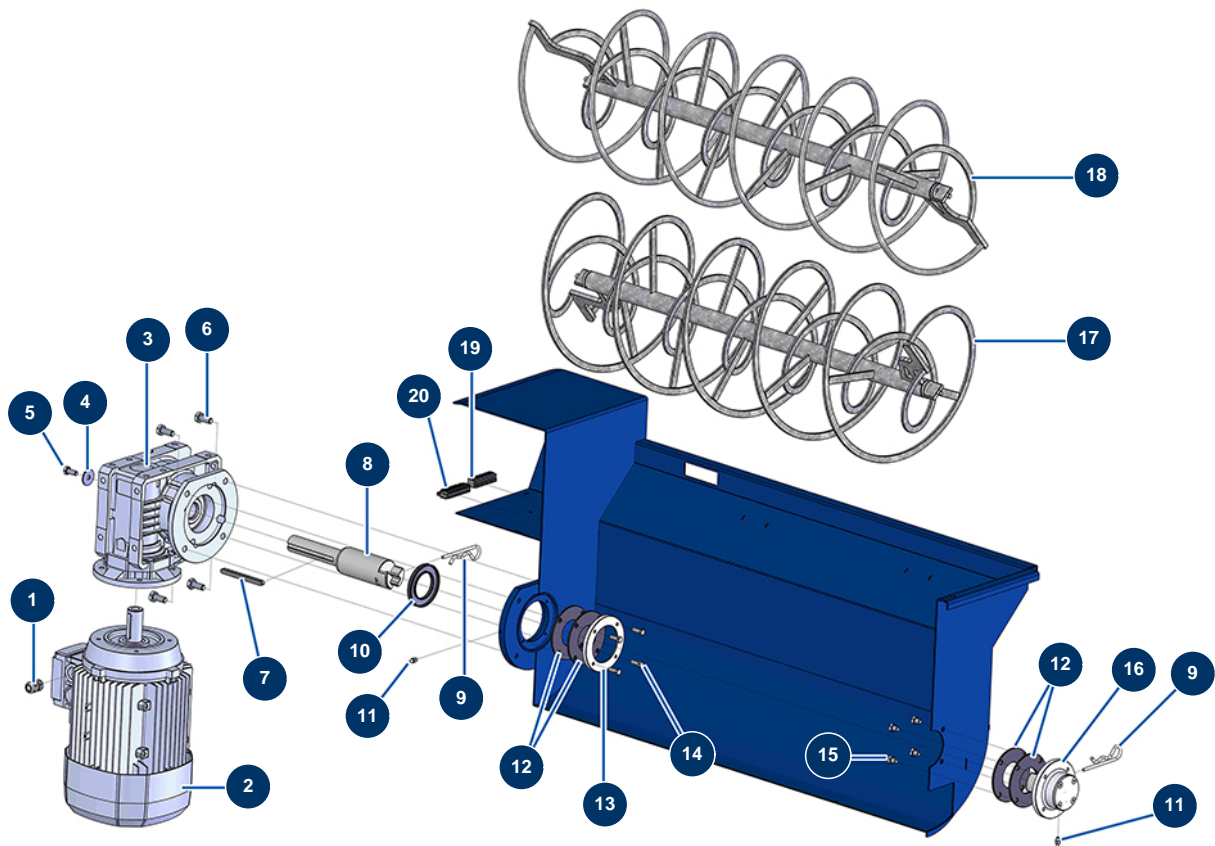


Détails des pièces

| Pos. | Référence | Désignation |
|------|-----------|--|
| 1 | 90255 | Arm handle for EUROPRO 24P, E50 and E100 |
| 2 | C21327 | COMPACT-PRO 30 to 55 machine arm from March 2020 |
| 3 | 90151 | 8 x 10 cylindrical head screw |
| 4 | C20201 | MIXPRO 100 trap door |
| 5 | 12231 | MIXPRO 100 mixer trapdoor gasket |
| 6 | 12219 | Ø 25 x 10 F8 stop |
| 7 | 12142 | MIXPRO 100 product trapdoor locking clamp |
| 8 | 90161 | 5 x 12 inox cylindrical head screw |
| 9 | 11880 | M 5 nylstop nut |
| 10 | 12163 | THEF 10 x 70 inox screw |
| 11 | 13981 | M 10 nylstop inox nut |
| 12 | C20200 | MIXPRO 100 safety grid |
| 13 | 30266 | M 4 nylstop nut |

| Pos. | Référence | Désignation |
|-------------|------------------|--|
| 14 | 12120 | Grid safety sensor for JETMIX, MIXPRO 14, 70 & 100 |
| 15 | 90137 | 4 x 16 cylindrical head screw |
| 16 | 13453 | Cylindrical bearing 26/30 x 16 |
| 17 | 13454 | M12 X 1.5 indexage pin |
| 18 | C20226 | MIXPRO 100 feet locking hook |
| 19 | C20202 | MIXPRO 100 right foot |
| 20 | C20204 | MIXPRO 100 left foot |
| 21 | 80263 | Very large inox washer Ø 8 |
| 22 | 12204 | Ring strap 38 x 400 mm with plastic buckle |
| 23 | 13693 | Black plastic end cap for ø 34 round tube |
| 24 | 90692 | Complete wheel 300 shaft of 20 |
| 25 | 90282 | Ø25 chromed clip |

MIXPRO 100 - 400V TETRA sequential mixer - Transmission

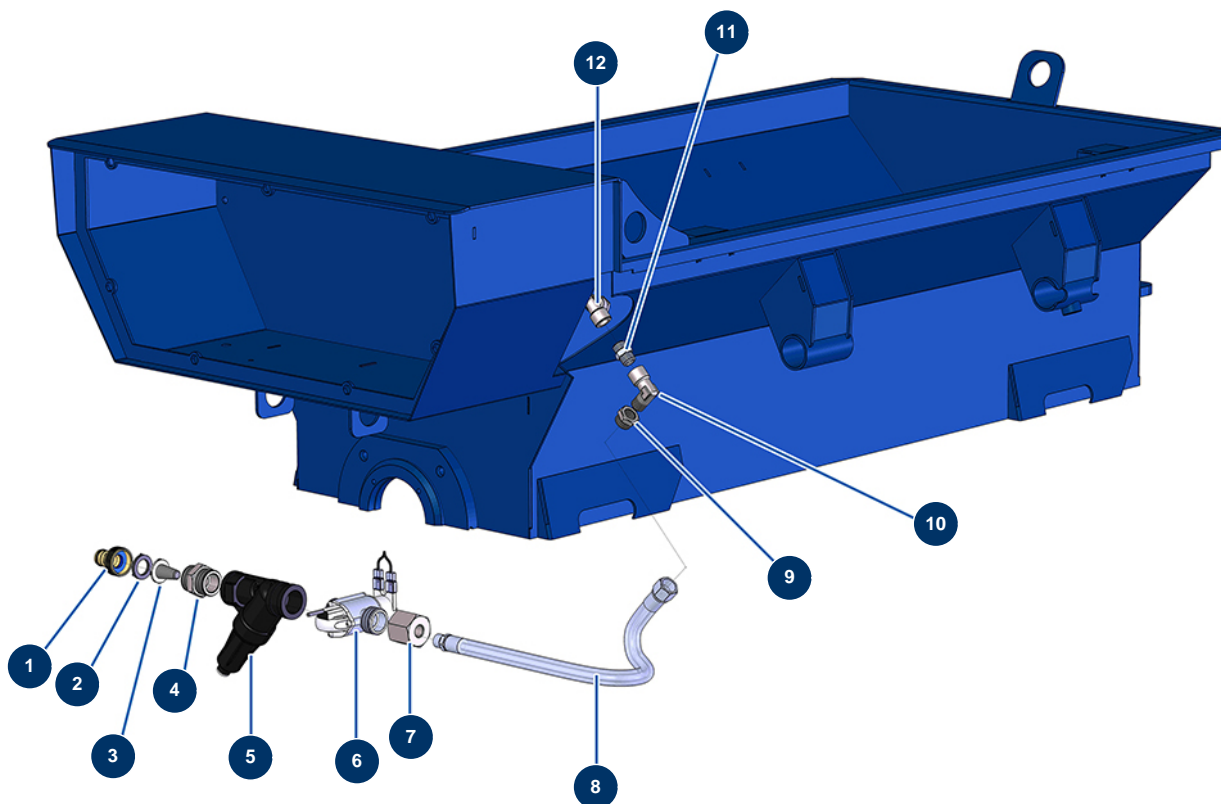


Détails des pièces

| Pos. | Référence | Désignation |
|------|-----------|---|
| 1 | 1002837 | PG 09 watertight cable gland |
| 2 | 14271 | Electric motor 4 kW - T112 - B14 - 1400 rpm - 400V |
| 3 | 14274 | Speed reducer 90° - T75 - R30 - B14/T112 |
| 4 | 80263 | Very large inox washer Ø 8 |
| 5 | 30273 | THEF 8 x 20 screw |
| 6 | 30257 | THEF 10 x 25 screw |
| 7 | 90750 | 8 x 7 x 100 parallel key with round end for 24P et PT |
| 8 | M10619 | MIXPRO 100 - 400V high-speed drive shaft |
| 9 | 12157 | Beta pin Ø 4.5 x 70 |
| 10 | 70107 | Spi seal 50 x 80 x 8 for 24P,24PT, MPE300, COMPACT-PRO 30 |
| 11 | 60012 | M6 straight lubricator |
| 12 | 12042 | C.P mixer rapid transmission gasket |
| 13 | M10065 | Support washers for COMPACT-PRO mixer gasket |

| Pos. | Référence | Désignation |
|-------------|------------------|--|
| 14 | 14539 | THEF 6 x 20 screw |
| 15 | 30298 | THEF 8 x 10 screw |
| 16 | M07013 | CP MIXER complete transmission bearing |
| 17 | C20231 | MIXPRO 100 mixer propeller |
| 18 | C22367 | MIXPRO 100 reinforced propeller |
| 19 | 11771 | 12 pins male connector |
| 20 | 11772 | 12 pins female connector |

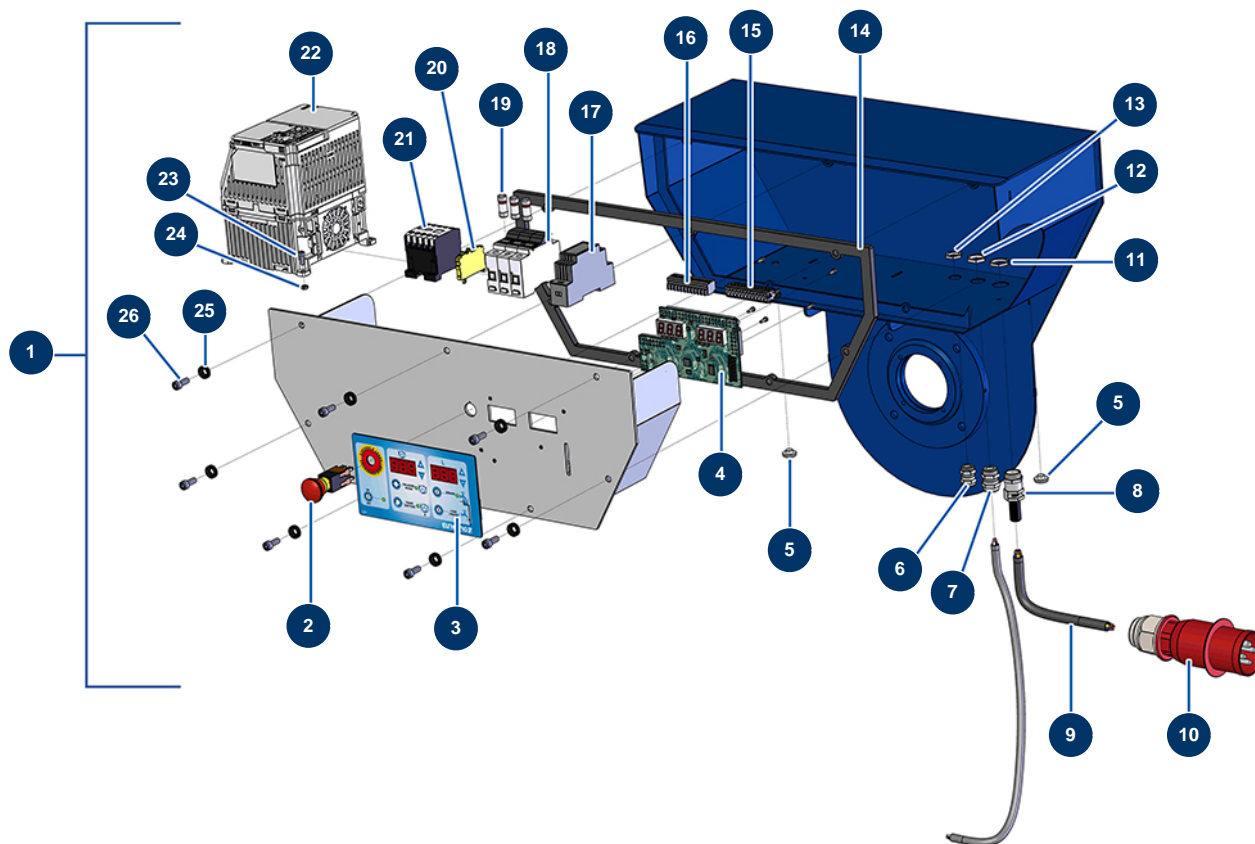
MIXPRO 100 - 400V TETRA sequential mixer - Hydraulic circuit



Détails des pièces

| Pos. | Référence | Désignation |
|------|-----------|--|
| 1 | 80124 | Inner threaded 3/4" quick connector |
| 2 | 11618 | 3/4" red fiber flat gasket |
| 3 | 80128 | Filter for 3/4" brass quick connector |
| 4 | 12589 | 3/4" MaleD x 3/4" MaleD low-pressure nipple |
| 5 | 12066 | Water pressure regulator 0.8 to 2.5 bar |
| 6 | 14241 | Flowmeter electrovalve with 5-pin connector |
| 7 | 11619 | 3/4" FemaleD x 1/4" FemaleD low-pressure reduction |
| 8 | 12280 | Water hose for MIXPRO 100 mixer |
| 9 | 90242 | 3/8" MaleC x 1/4" FemaleD low-pressure reduction |
| 10 | 30121 | 90° low-pressure elbow 1/4 MaleC x 1/4 FemaleD |
| 11 | 90844 | 1/4" MaleD x 1/4" MaleD low-pressure nipple |
| 12 | 11669 | Elbow BP 90° 1/4 femaleDx 1/4 FemaleD |

MIXPRO 100 - 400V TETRA sequential mixer - Electrical box



Détails des pièces

| Pos. | Référence | Désignation |
|------|-----------|--|
| 1 | 14273 | Complete membrane electrical box for MIXPRO 100 - 400V TETRA |
| 2 | 13015 | Hanging EMERGENCY STOP button Ø16 |
| 3 | 13007 | IDEAL MIXER front with membrane |
| 4 | 30673 | C.P IDEAL MIXER & MIXPRO 100 electronic card |
| 5 | 80397 | Water exhaust cork for electrical box |
| 6 | 80445 | Watertight cable gland of M16 |
| 7 | 30040 | Nickel plated watertight cable gland of 11 CEM |
| 8 | 80451 | Brass cable gland of 13 for power cable |
| 9 | 13146 | H07RNF 5G2.5 electrical cable by the metre |
| 10 | 13147 | Male electrical plug 3P + N + G 16A |
| 11 | 30054 | Cable gland locknut of 13 |
| 12 | 30333 | Cable gland locknut of 11 CEM |
| 13 | 11327 | Cable gland locknut of M16 |

| Pos. | Référence | Désignation |
|-------------|------------------|---|
| 14 | 12138 | EUROPRO MIXPRO 100 electrical box gasket |
| 15 | 11772 | 12 pins female connector |
| 16 | 11771 | 12 pins male connector |
| 17 | 12711 | Supply 230V-24VDC-15W |
| 18 | 12149 | 32 A Tetra fuse holder |
| 19 | 12150 | Fuse 16 A AM 10.38 |
| 20 | 30038 | Yellow and green conductive block 6 mm ² |
| 21 | 11918 | Coil contactor 24 Volt AC |
| 22 | 12945 | Inverter 400 V - 4 KW GA |
| 23 | 12444 | 4 x 12 cylindrical head screw |
| 24 | 10038 | M 6 nut |
| 25 | 80573 | Hollow washer Ø 6 |
| 26 | 90157 | M6 x 16 cylindrical head screw - CP 60 |