

**MIXPRO 60 PREMIUM continuous mixer - Chassis**



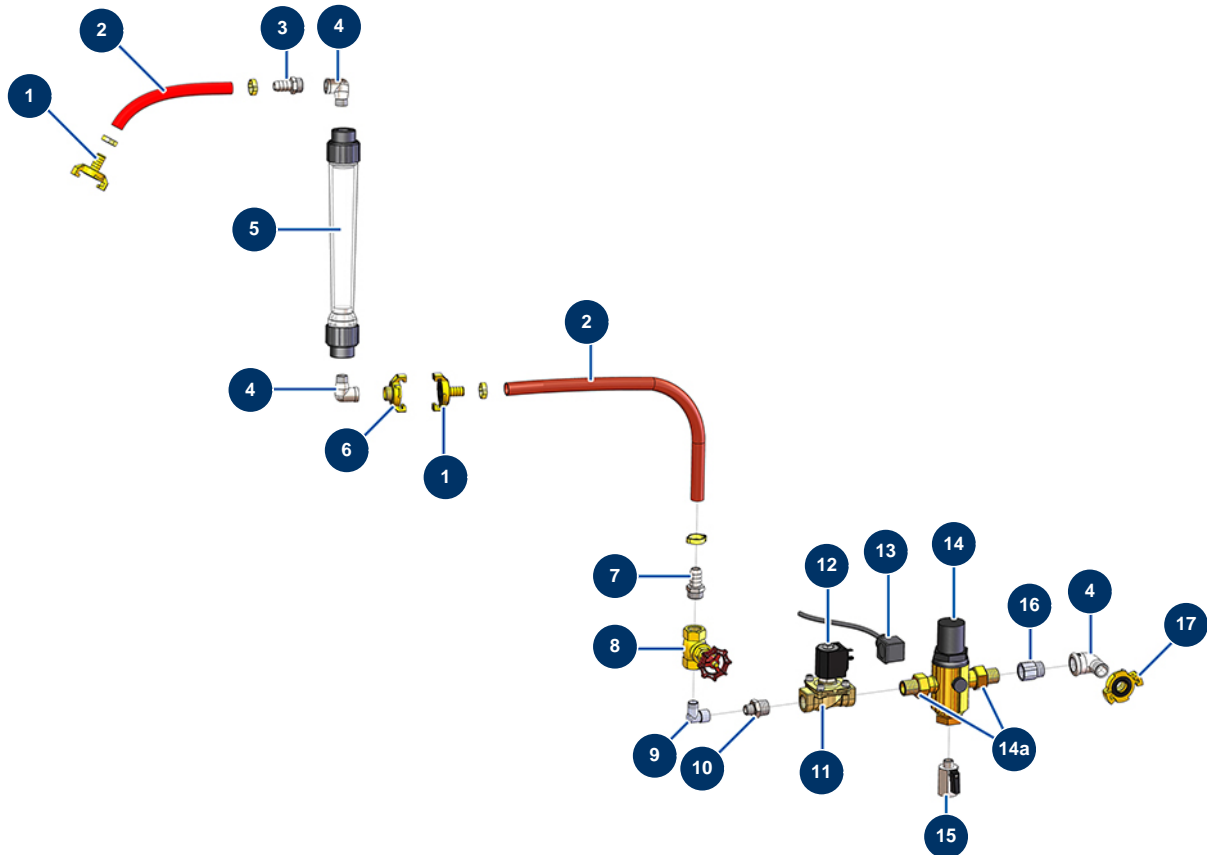
**Détails des pièces**

Pos.	Référence	Désignation
1	C22630	
2	11514	Plastic thumb wheel M8 x 20
3	C22624	
4	C22627	
5	MI3F00300208	Complete wheel 260 shaft 20
6	MI3G01600104	Flowmeter fixing clamp



<b>Pos.</b>	<b>Référence</b>	<b>Désignation</b>
13	MI4905002100	
14	C22705	
15	C22643	

## MIXPRO 60 PREMIUM continuous mixer - Water group

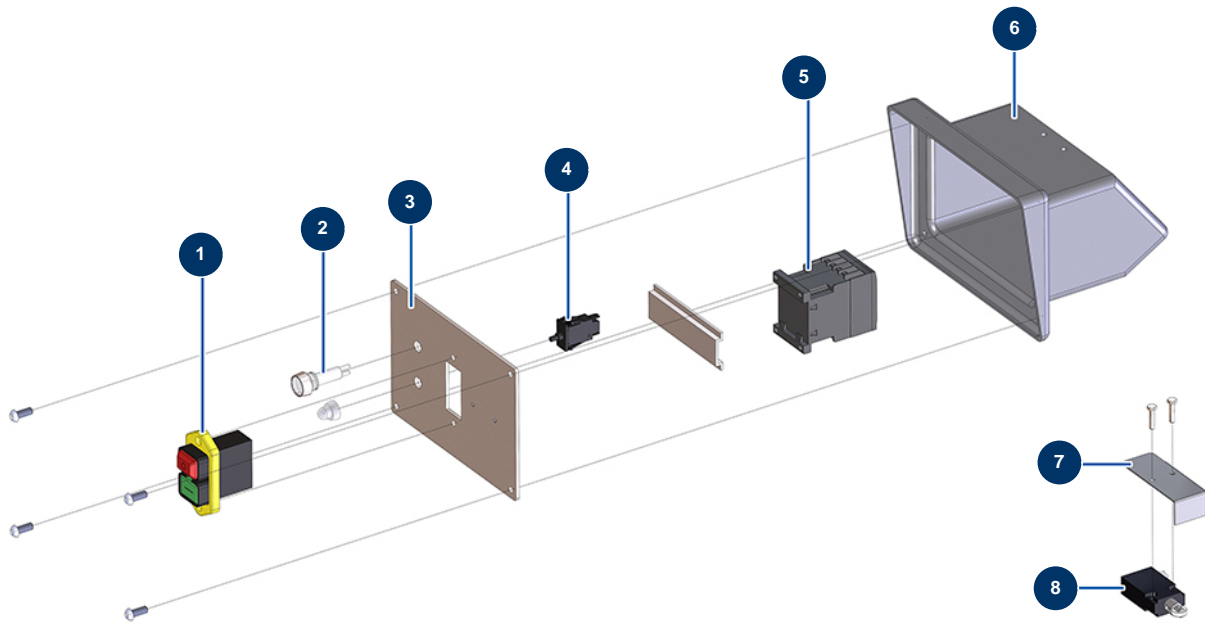


### Détails des pièces

Pos.	Référence	Désignation
1	MI3A00100102	Corrugated Geka coupling of 13
2	MI3F00700201	Yellow and red PVC hose $\varnothing$ 13 x 19 by the metre
3	MI3G50300201	
4	MI3G50300501	Elbow BP 90° 1/2 MaleC x 1/2 FemaleD
5	MI3G01101001	Complete universal flow meter 60/600
6	MI3A00100302	1/2" outer threaded Geka coupling
7	MI3G50300207	
8	MI3G01300211	
9	MI3G20300500	9
10	MI3G50300702	1/2" MaleC x 1/4" MaleC low-pressure nipple
11	MI3G00301100	1/2" MIXER 35 solenoid valve
12	MI3G00300323	220 V Solenoid valve coil
13	MI3G00402201	Pressure switch connector

<b>Pos.</b>	<b>Référence</b>	<b>Désignation</b>
14	MI3G00904100	Water pressure regulator 0,5 to . bar
14a	MI3G01700010	14a
15	MI3G01200102	1/4" mini lux valve
16	MI3G50301140	Extension MF 1/2" x 20mm 529-Z
17	MI3A00100202	1/2" inner threaded Geka coupling

## MIXPRO 60 PREMIUM continuous mixer - Electrical box



### Détails des pièces

Pos.	Référence	Désignation
1	MI3C01403000	On/Off bipolar switch 230 V
2	MI3C02400900	ø10 white indicator light 230 V
3	C22769	
4	MI3C00800400	
5	30011	230 Volt coil switch for sprayer
6	MI4011502000	MIXER 35 electrical box rear plastic part
7	C21227	
8	MI3C01400300	MIXER 35 grid safety sensor