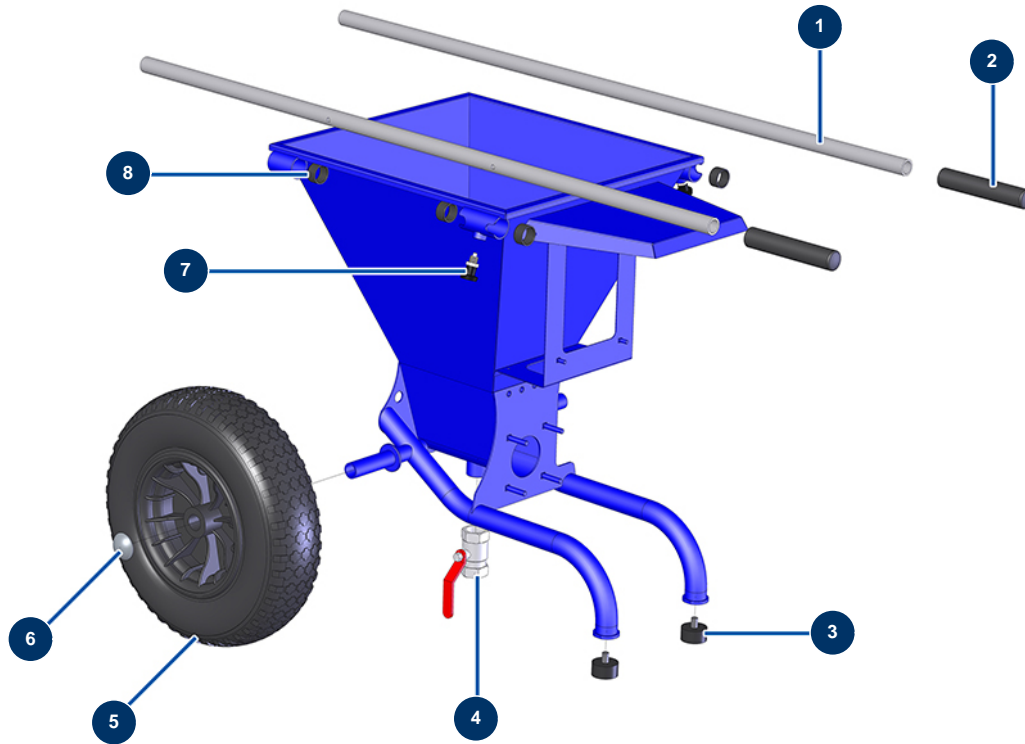


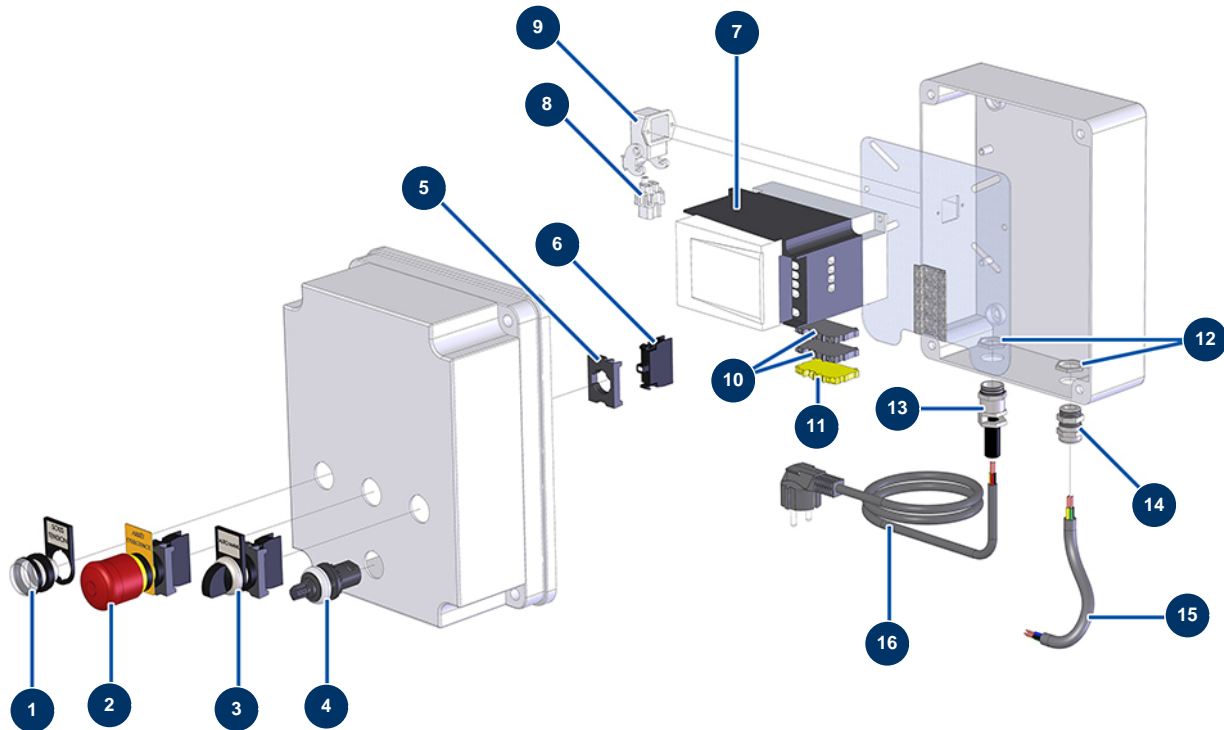
COMPACT-PRO 10 JOINT spraying machine - Chassis



Détails des pièces

Pos.	Référence	Désignation
1	C21326	JETMIX 80 / Blowing machine arm
2	90255	Arm handle for EUROPRO 24P, E50 and E100
3	30145	Ø 40 x 20 M10 stop
4	70031	Drain valve for EUROPRO 4-6-8-14 P, MPE, AG, 7000z, 9000z
5	80003	Ø400 complete wheel with shaft of 25 for 100TH, MPE 300
6	90282	Ø25 chromed clip
7	13454	M12 X 1.5 indexage pin
8	13453	Cylindrical bearing 26/30 x 16

COMPACT-PRO 10 JOINT spraying machine - Electrical box

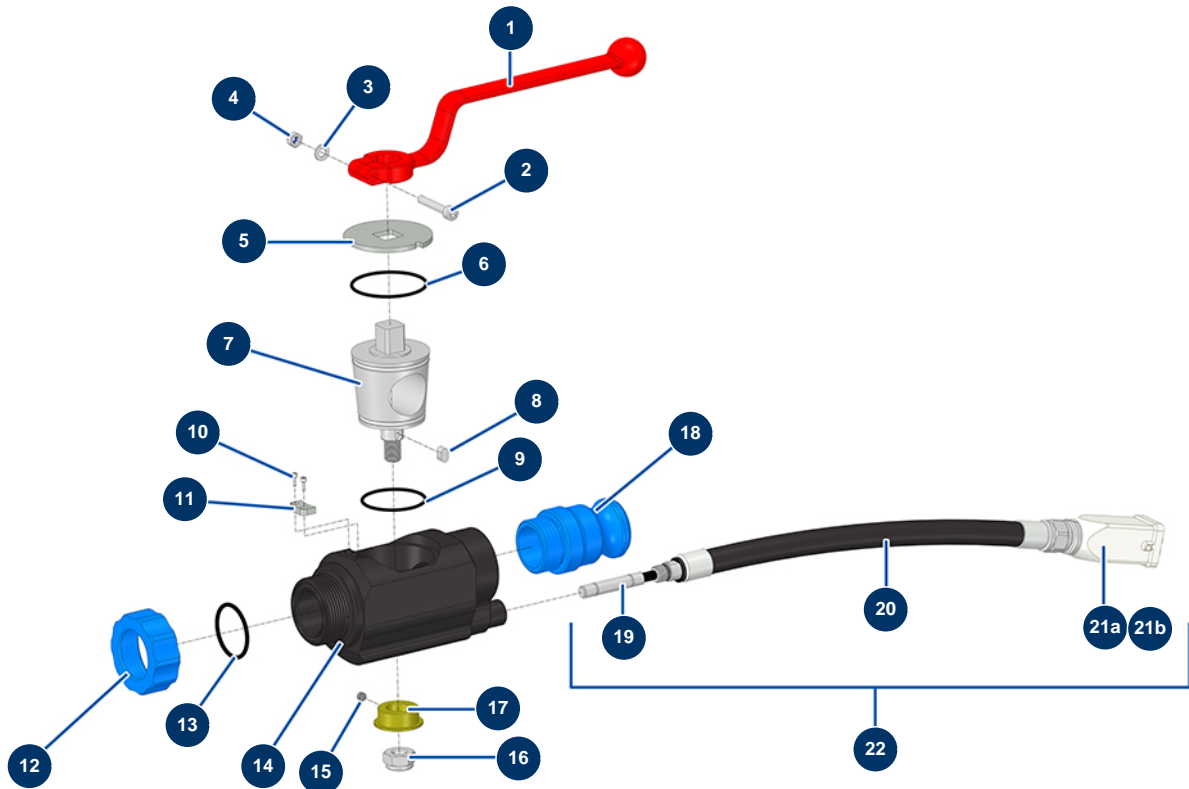


Détails des pièces

Pos.	Référence	Désignation
1	13614	Complete 230V ON light
2	90778	Complete hanging EMERGENCY STOP button
3	11338	COMPACT-PRO complete REVERSE-AUTO-MANU button
4	80645	Spraying machine complete potentiometer from MARCH 2003
5	30036	3-contact U-bolt
6	30058	220 Volt neon bulb
7	12098	Inverter 230 V - 0,55 KW
8	11914	Female insert 4p + G
9	12543	Insulating bend socket base 3p + G - 1 lever
10	80467	Grey conductor block 4 mm ²
11	30038	Yellow and green conductive block 6 mm ²
12	30060	11mm cable gland nut
13	80450	cable gland for 11mm supply cable

Pos.	Référence	Désignation
14	30040	Nickel plated watertight cable gland of 11 CEM
15	90606	Shielded cable 4 x 1,5 by the metre
16	90754	Supply cable with moulded plug 3G 1 mm ²

COMPACT-PRO 10 JOINT spraying machine - Lance

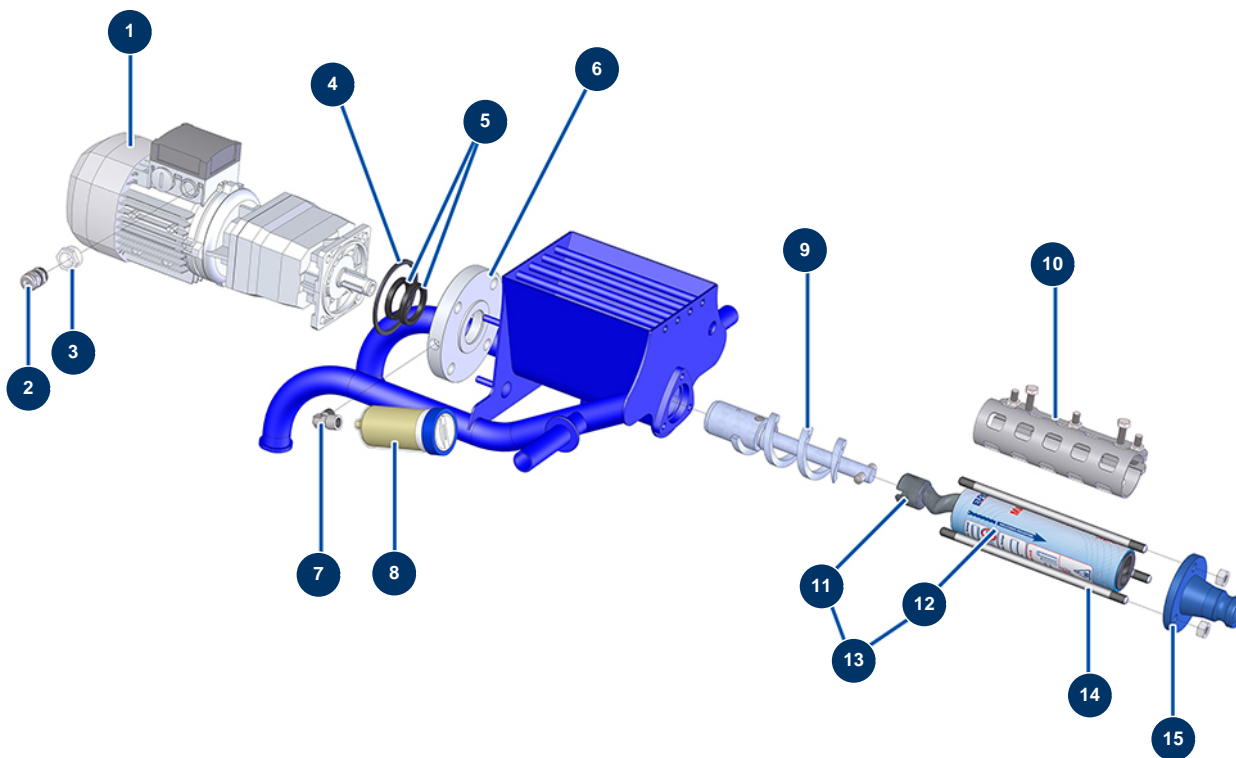


Détails des pièces

Pos.	Référence	Désignation
1	20003	Red bend handle for lance (square of 14)
2	12245	5 x 30 cylindrical head screw
3	70085	ø 5 narrow washer
4	11880	M 5 nylstop nut
5	M10526	Floor screed lance locking washer
6	14613	43 x 2 O-ring
7	M10089	ABS levelling lance bushel
8	M10796	8
9	14611	36 x 2 O-ring
10	11822	10
11	11813	Mortar lance stop limit washer
12	11817	Blue ring for mortar lance
13	1032076	30 x 2,50 O-ring

Pos.	Référence	Désignation
14	M10090	Floor screed ABS lance body
15	13031	Wireless remote control starting magnet Ø 5 x 3
16	13981	M 10 nylstop inox nut
17	M10402	Floor screed lance detection ring
18	11810	1" alu adapter for mortar lance
19	13032	Wireless remote control sensor Ø 8
20	13367	JETPRO spray-gun cable reinforced protection flexible hose
21a	11916	Blowing machine insulating cover 3 p + T
21b	11913	Blowing machine male insert 4 p + T
22	12766	Complete sensor kit with square plug for JETPRO spray-gun

COMPACT-PRO 10 JOINT spraying machine - Transmission

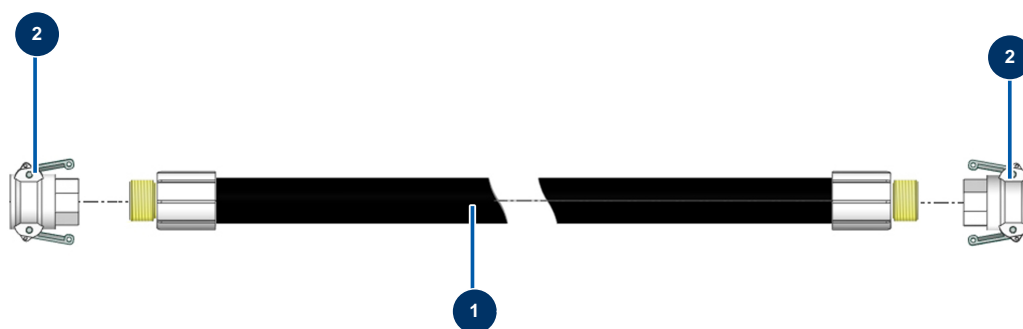


Détails des pièces

Pos.	Référence	Désignation
1	90550	Geared motor 0,55 kW - T122 - R17,2 - 1400 rpm - 400V
2	30040	Nickel plated watertight cable gland of 11 CEM
3	80446	Cable gland reduction M 25-11
4	11456	AG, MPE machine motor flange gasket
5	70062	Spi seal 40 x 52 x 7 for 4,6,8P, AG, MPE, 7000z, 9000z
6	11576	Motor spacer flange for CP10, 15 & DECOPRO
7	30121	90° low-pressure elbow 1/4 MaleC x 1/4 FemaleD
8	90639	Automatic greaser
9	C20284	Complete drive shaft for CP 10
10	C21265	MAP 3 clamping jacket - 8P
11	MI7009107800	EUROPRO MAP 3 pump rotor with bayonet head
12	MI3F00528900	EUROPRO MAP 3-60SH 3 slits pump stator
13	30863	EUROPRO MAP 3 pump adjustable rotor/stator kit

Pos.	Référence	Désignation
14	10034	Fixation tie rod for MAP 2/3
15	10015	EUROPRO 4 and 6 P stator clamp blue

COMPACT-PRO 10 JOINT spraying machine - Hose



Détails des pièces

Pos.	Référence	Désignation
1	50011	25 x 8 m product hose outer threaded 1" for 8P without couplers
2	70007	1" camlock alu coupling, inner threaded 1" for 6, 8, 14 & 24P