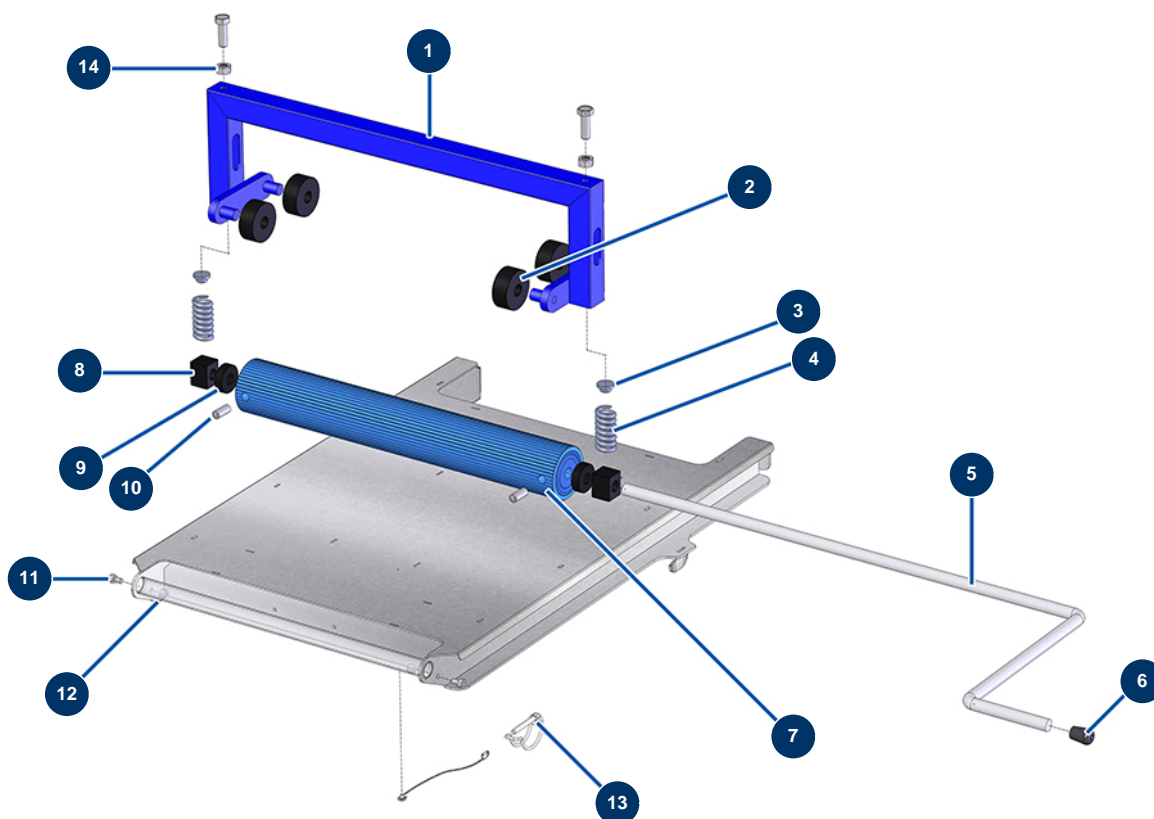


Bag roller for JETPRO 80 - General view



Détails des pièces

Pos.	Référence	Désignation
1	90580	14P bag roller U-bolt
2	10056	Bag roller caster
3	10059	Bag roller spring pawl
4	10069	Bag roller stainless steel spring
5	M10294	JETPRO 80 bag roller crank
6	30327	Black plastic end cap for ø 14 round tube
7	90462	14 P, JETPRO 80 bag roller drum
8	10058	Bag roller drum bearing
9	10053	Slice for bag roller spacer
10	80689	Bag roller drum countersunk head screw
11	90798	M6 x 10 cylindrical head screw - CP 60 cylindrical head screw
12	20004	M 6 nylstop nut
13	90571	Arm pin for 24P

Pos.	Référence	Désignation
14	90453	M 10 nut