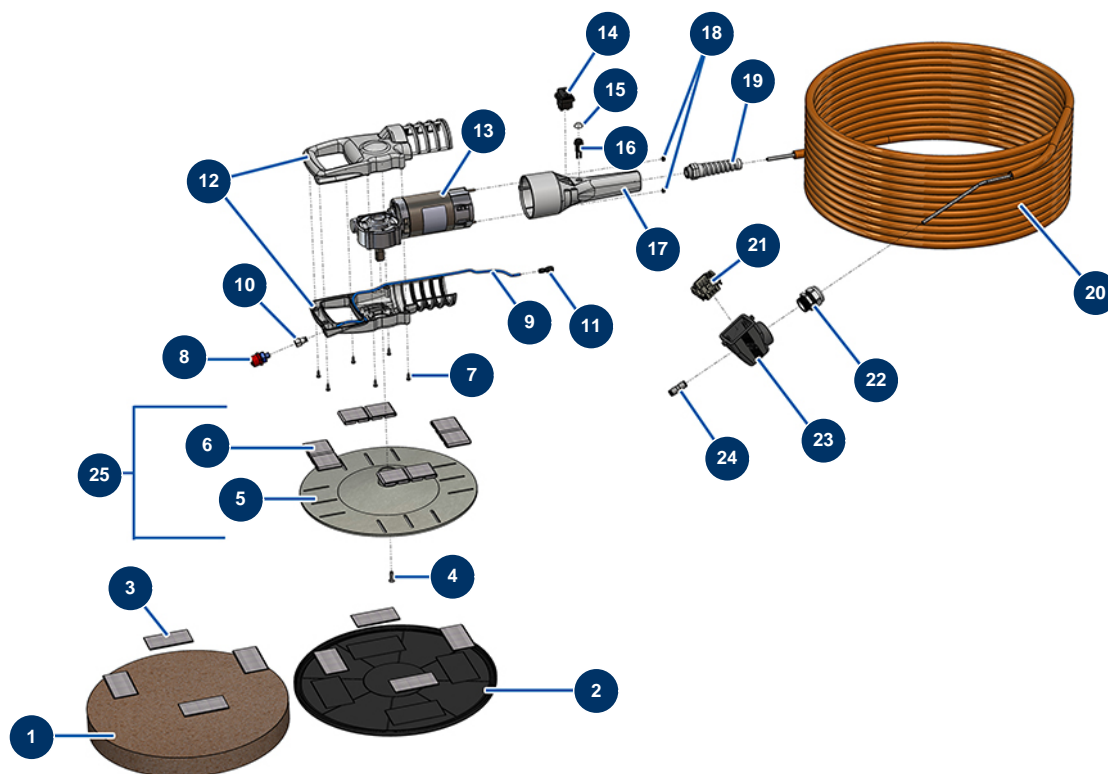


## TALOCH'PRO 400 electric trowel 230 V - Motor group

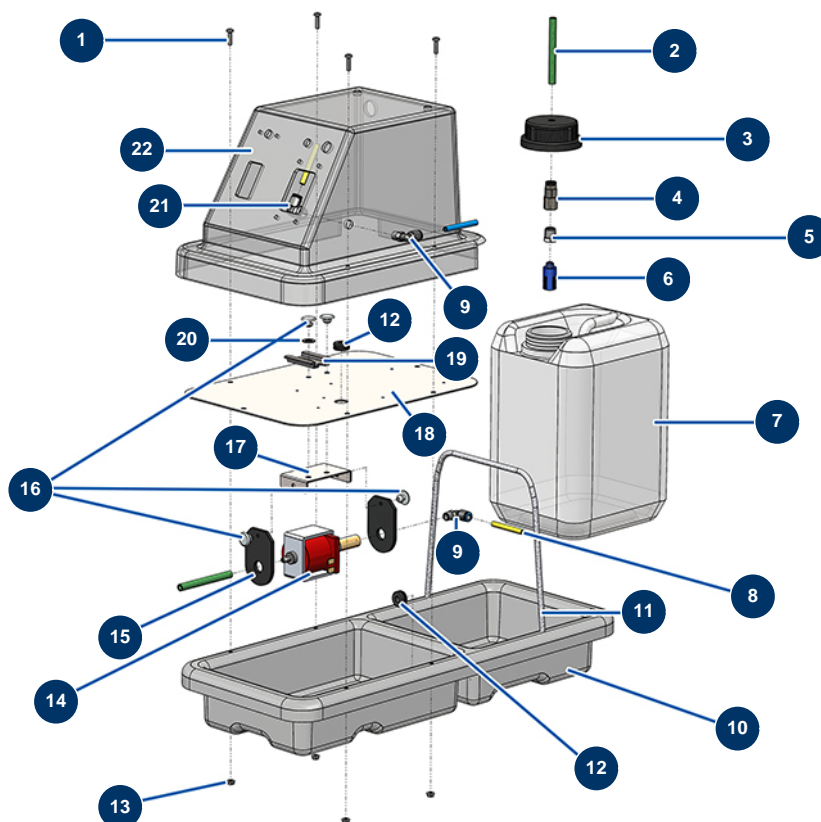


### Détails des pièces

| Pos. | Référence    | Désignation  |
|------|--------------|--|
| 1    | MI3M00300201 | Special MORTAR brown sponge                                |
| 2    | MI3M00302701 | Trowelling plate ABS - without velcro                      |
| 3    | MI3M00300160 | TALOCH' PRO sponge female Velcro                           |
| 4    | MI3T02601601 | 4  |
| 5    | MI3M00500407 | Trowel disk VERTIGO  |
| 6    | MI3M00300150 | TALOCH' PRO revolving plate male velcro                    |
| 7    | MI3T02601403 | 7  |
| 8    | MI3M00500102 |  |
| 9    | MI3G50500203 | Calibrated polyurethane tube $\varnothing$ 2 x 4 per metre |
| 10   | MI3G50200110 | F coupling 4X1/8 for VERTIGO trowel                        |
| 11   | MI3G50200501 | Legris T- joint reduced                                    |
| 12   | MI3M00500402 | Handle LH -RH VERTIGO trowel                               |
| 13   | MI3M00500110 | TALOCH'PRO 400 geared motor                                |

| Pos. | Référence    | Désignation                            |
|------|--------------|--|
| 14   | MI3M00500104 | TALOCH'PRO 400 switch                  |
| 15   | MI3M00500122 | Button cover VERTIGO                   |
| 16   | MI3M00500121 |  |
| 17   | MI3M00500400 | Grip for VERTIGO                       |
| 18   | MI3T01401104 | 18                                     |
| 19   | MI3M00302101 |  |
| 20   | MI8007015000 | TALOCHPRO 400 and VERTIGO hose 15 ml   |
| 21   | MI3C03100500 | Taloch'pro 400 male insert             |
| 22   | MI3C04200203 | Anti-tear cable gland M25X1.5E51201100 |
| 23   | MI3C02800601 | Cover TMAO 06 L25                      |
| 24   | MI3G50200502 | ø 06/06 straight push-in connector     |
| 25   | MI3M00500411 | Rotating plate with velcro             |

## TALOCH'PRO 400 electric trowel 230 V - Water group

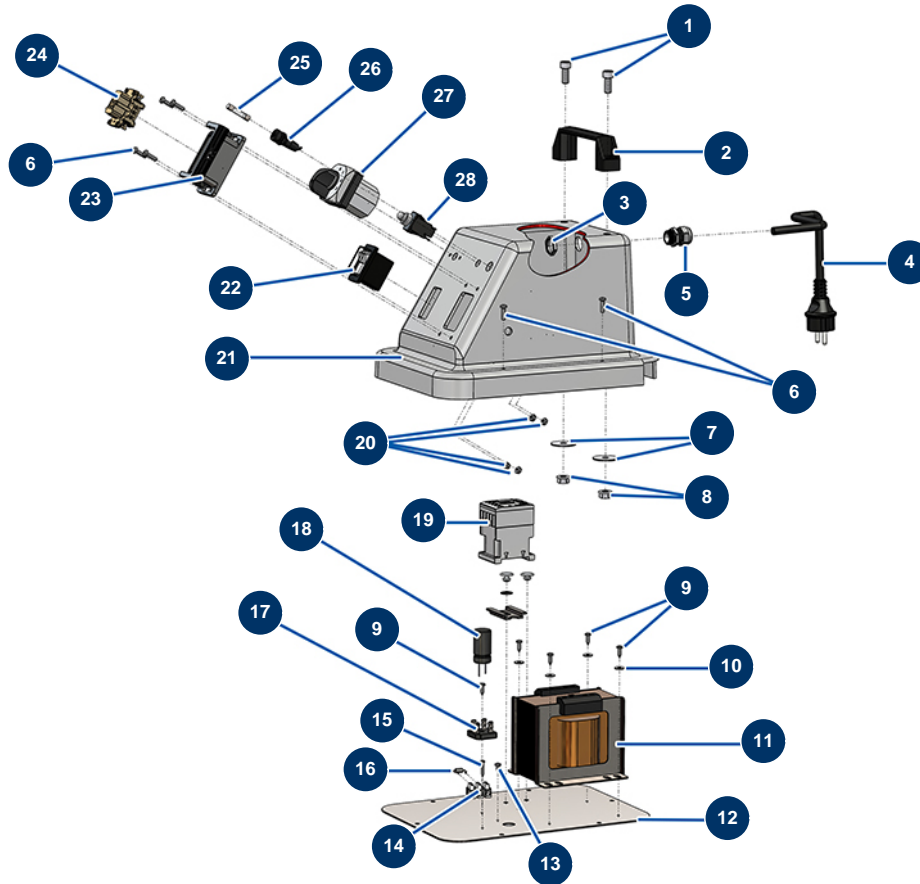


### Détails des pièces

| Pos. | Référence    | Désignation   |
|------|--------------|---|
| 1    | MI3T02601109 | 1   |
| 2    | MI3G50500103 | ELASTOLLAN hose 10 x 8                                  |
| 3    | MI3M00500125 | Jerry can top for VERTIGO                               |
| 4    | MI3G50200108 | Legris coupling in-line 8 X 1/4 fem.                    |
| 5    | MI3G50300101 | 1/4" MaleC x 1/8" FemaleC galvanised reduction          |
| 6    | MI3M00500115 | Water filter VERTIGO                                    |
| 7    | MI3M00500124 | 5 LT tank GR.250 neutral VERTIGO                        |
| 8    | MI3G50500100 | Calibrated polyurethane tube ø 4 x 6 black by the metre |
| 9    | MI3G50400201 | 9   |
| 10   | MI3M00500404 | Half-shell VERTIGO                                      |
| 11   | MI3M00500201 | 11  |
| 12   | MI3M00321201 | 12  |
| 13   | MI3T01401104 | 13  |

| <b>Pos.</b> | <b>Référence</b> | <b>Désignation</b>              |
|-------------|------------------|---------------------------------|
| 14          | MI3M00301501     |                                 |
| 15          | MI3M00301502     | 15                              |
| 16          | MI3T02100107     | 16                              |
| 17          | MI5902020200     | 17                              |
| 18          | MI4902020000     | Galvanized bottom plate         |
| 19          | MI3C00130110     | 19                              |
| 20          | MI3T02200306     | 20                              |
| 21          | MI3G50200202     | 21                              |
| 22          | MI3M00500405     | Half-shell cover trowel VERTIGO |

## TALOCH'PRO 400 electric trowel 230 V - Electrical group

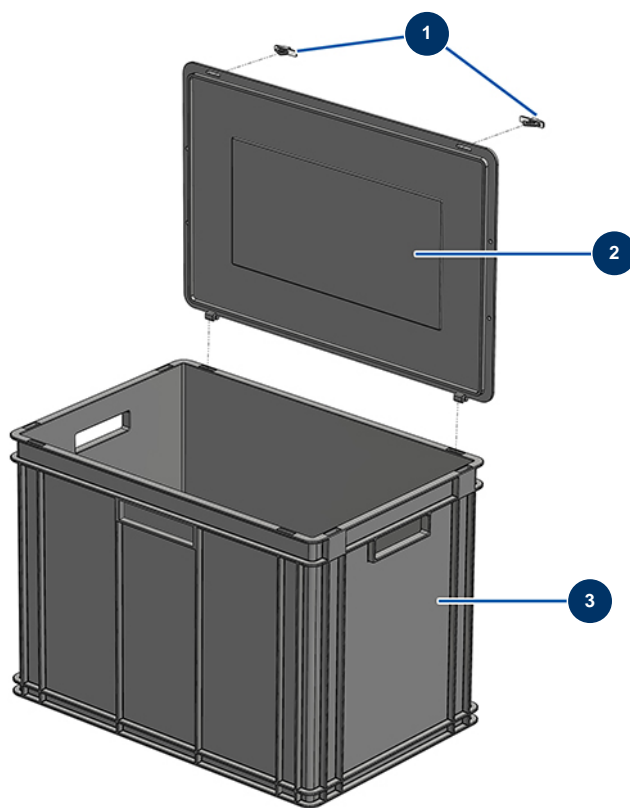


### Détails des pièces

| Pos. | Référence    | Désignation                                 |
|------|--------------|---|
| 1    | MI3T02601010 | 1   |
| 2    | MI3M00500114 | Lifting handle                              |
| 3    | MI3C04205103 | 3   |
| 4    | MI3M00501200 | SCHUKO plug with trowel power cable VERTIGO |
| 5    | MI3C04200211 | PG11 cable gland                            |
| 6    | MI3T02601109 | 6   |
| 7    | MI3T02200201 | 7   |
| 8    | MI3T01401103 | 8   |
| 9    | MI3T2601403  | 9   |
| 10   | MI3T02200205 | 10  |
| 11   | MI3C00502025 | Trowel transformer VERTIGO 3 speeds         |
| 12   | MI4902020000 | Galvanized bottom plate                     |
| 13   | MI3T02601402 | 13  |

| Pos. | Référence    | Désignation                           |
|------|--------------|---------------------------------------|
| 14   | MI3C00130110 | 14                                    |
| 15   | MI3T02601405 | 15                                    |
| 16   | MI3M00302901 | Diode for pump - VERTIGO 1N54         |
| 17   | MI3M00500108 | Diode bridge 25A VERTIGO              |
| 18   | MI3C04302001 | Capacitor 50V 4700MF VERTIGO 3 speeds |
| 19   | MI3C00700117 | 4 KW 24V AC coil contactor            |
| 20   | MI3T01401104 | 20                                    |
| 21   | MI3M00500405 | Half-shell cover trowel VERTIGO       |
| 22   | MI3M00500111 | TALOCH' PRO ON/OFF switch             |
| 23   | MI3C02800503 | Socket base 6 pin TCHI 06 L           |
| 24   | MI3C02700300 | 6P 16A female insert                  |
| 25   | MI3C05001200 | Fuse 3,15A VERTIGO trowel             |
| 26   | MI3C05050900 | Fuse holder P4000 VERTIGO trowel      |
| 27   | MI3M00300403 | Gradual trowel switch VERTIGO         |
| 28   | MI3C00800800 | Thermoprotector VERTIGO trowel        |

## TALOCH'PRO 400 electric trowel 230 V - Storage box



### Détails des pièces

| Pos. | Référence    | Désignation                    |
|------|--------------|--------------------------------|
| 1    | MI3U00500704 |                                |
| 2    | MI3U00500703 |                                |
| 3    | MI3U00500700 | TALOCH'PRO 400 box without lid |