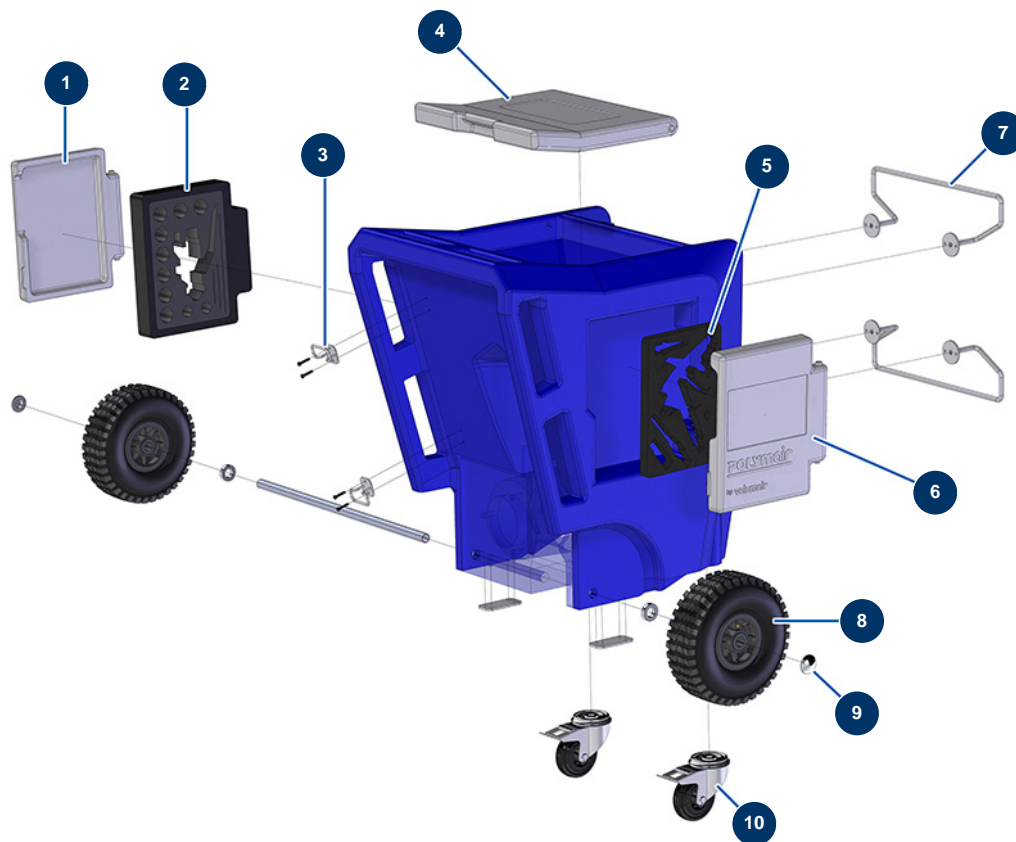


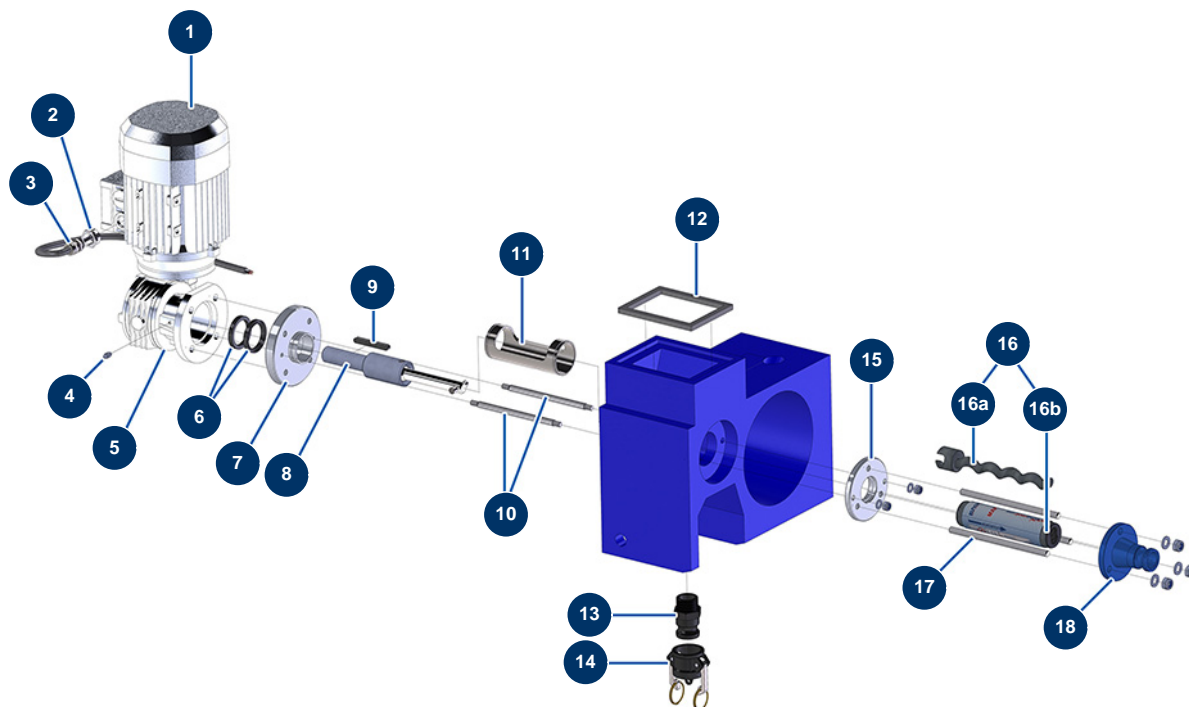
POLYMAIR 6 HVLP spraying system - Chassis



Détails des pièces

Pos.	Référence	Désignation
1	11765	Rotomolded right door for POLYMAIR
2	11769	POLYMAIR lance wedging foam
3	11745	POLYMAIR cable reel hook support
4	11767	POLYMAIR tank rotomolded hood
5	12316	POLYMAIR spray-gun wedging foam
6	11766	Rotomolded left door for POLYMAIR
7	11744	POLYMAIR hose reel
8	80001	Complete wheel 260 shaft of 20 for 6,8,14P, MPE 80 and 200, 7000z, 9000z
9	90281	Ø20 chromed clip
10	11681	POLYMAIR pivoting wheel

POLYMAIR 6 HVLP spraying system - Transmission

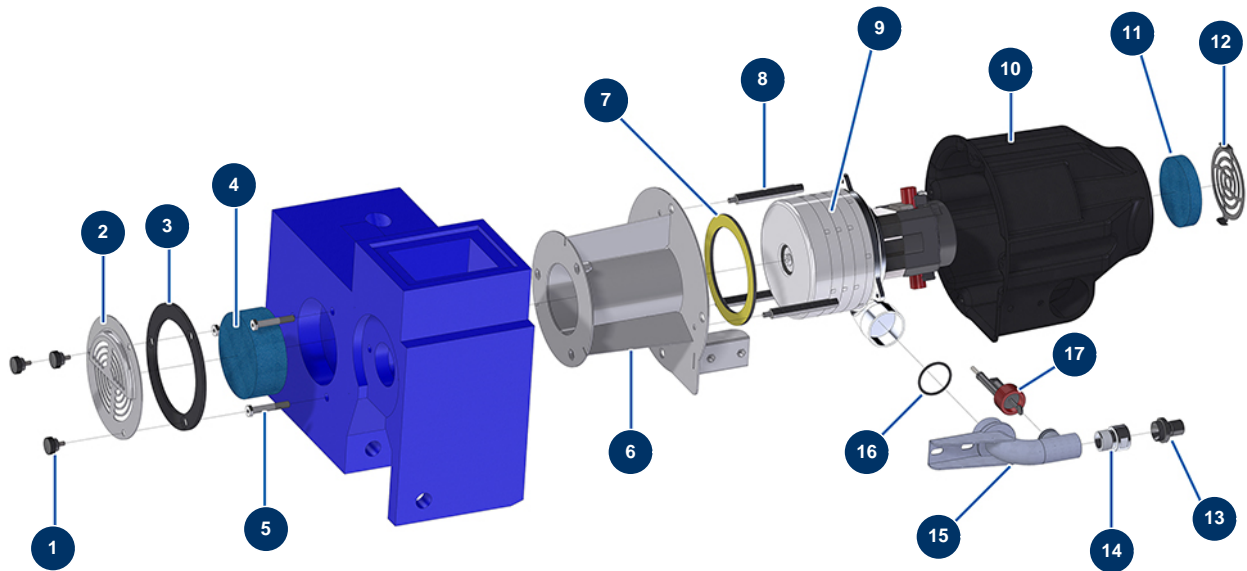


Détails des pièces

Pos.	Référence	Désignation
1	90549	Electric motor 0,75 kW - T80 - B14 -1400 rpm - 400V
2	80599	Cable gland reduction M 25-13
3	30040	Nickel plated watertight cable gland of 11 CEM
4	60012	M6 straight lubricator
5	90355	Speed reducer 90° - T50 - R20 - B14/T80
6	70062	Spi seal 40 x 52 x 7 for 4,6,8P, AG, MPE, 7000z, 9000z
7	11749	POLYMAIR motor flange
8	11751	Drive shaft for POLYMAIR
9	90749	8 x 7 x 65 parallel key with round end for 6P,8P,14P,7000z,9000z
10	11787	POLYMAIR transmission spacer
11	M10282	POLYMAIR spacer tube
12	11779	POLYMAIR base foam seal
13	11674	1" POLYPRO outer threaded adapter for POLYMAIR 4

Pos.	Référence	Désignation
14	11675	1" POLYPRO female plug with cams for POLYMAIR 4
15	11750	POLYMAIR stator flange
16	30479	EUROPRO MAP 3 pump rotor/stator kit
16a	MI7009107800	EUROPRO MAP 3 pump rotor with bayonet head
16b	MI3F00529201	EUROPRO MAP 3 - 60SH pump stator
17	10034	Fixation tie rod for MAP 2/3
18	11789	POLYMAIR 4 stator flange

POLYMAIR 6 HVLP spraying system - Turbine

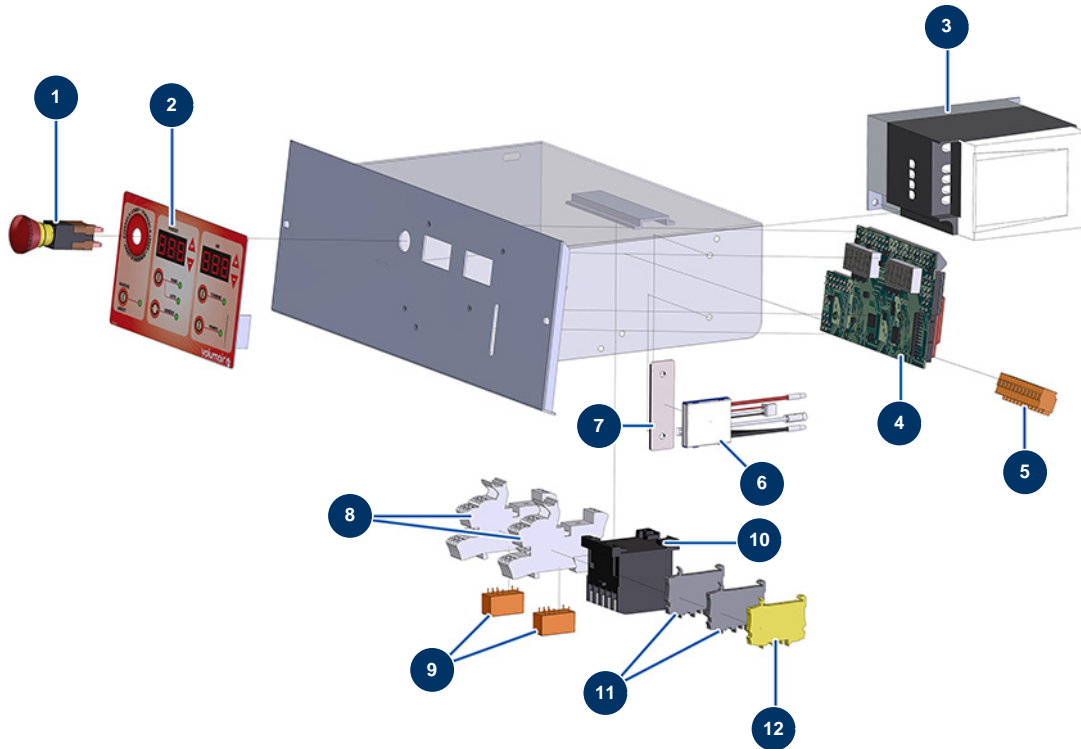


Détails des pièces

Pos.	Référence	Désignation
1	12261	Ø22 M5 x 10 outer threaded plastic thumb wheel
2	11791	POLYMAIR ventilation grid
3	13996	POLYMAIR 2017 ventilation grid gasket
4	13982	POLYMAIR 2017 foam filter
5	M10577	POLYMAIR 2017 assembling screw
6	C21979	POLYMAIR 2017 turbine support
7	13990	EOLE T5 2017 turbine bearing seal
8	M10552	EOLE T5 2017 turbine fixation spacer
9	13835	5-stage turbine - 230V
10	13992	POLYMAIR 2017 turbine crankcase
11	11931	Blowing machine air filter Ø 90
12	C21941	T2 2017 ventilation grid
13	M10557	EOLE T2/T5 2017 male quick-connector

Pos.	Référence	Désignation
14	1022230	Turbine outlet air exhaust valve
15	C21985	POLYMAIR 2017 air outlet elbow
16	1001269	O-ring 38 x 3
17	13999	POLYMAIR 2017 air flow rate controller

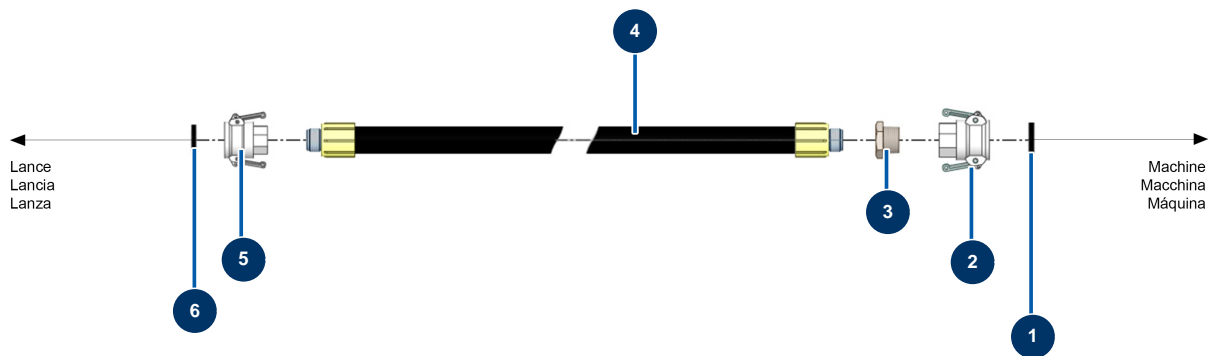
POLYMAIR 6 HVLP spraying system - Electrical box



Détails des pièces

Pos.	Référence	Désignation
1	13015	Hanging EMERGENCY STOP button Ø16
2	13010	POLYMAIR front with membrane
3	11781	Inverter 230 V - 0,75 KW
4	30674	POLYMAIR 4 & 6 electronic card
5	11772	12 pins female connector
6	BE15644	MAXPRO 1600 mixer 230V electronic card
7	C20513	TURBISOL 112 holding bracket for electrical component
8	12751	Plug-in miniature relay base
9	12752	Plug-in miniature relay 24V AC - 1RT
10	11918	Coil contactor 24 Volt AC
11	80467	Grey conductor block 4 mm ²
12	30038	Yellow and green conductive block 6 mm ²

POLYMAIR 6 HVLP spraying system - Hose



Détails des pièces

Pos.	Référence	Désignation
1	70013	3/4" cam coupler gasket
2	70001	3/4" camlock alu coupling, inner threaded 3/4" for 4 & 6P
3	90789	1" MaleC x 3/4 FemaleD low-pressure reduction
4	10267	4
5	70007	1" camlock alu coupling, inner threaded 1" for 6, 8, 14 & 24P
6	70014	1" cam coupler gasket