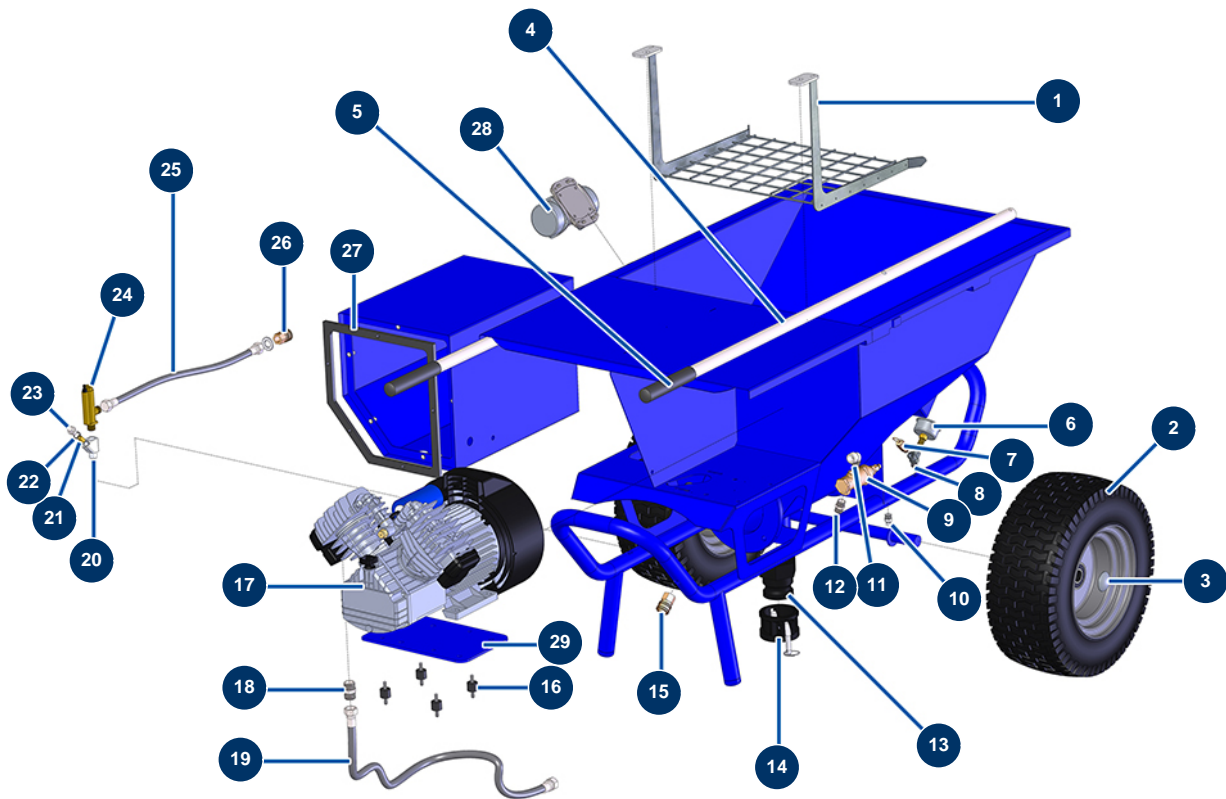


COMPACT-PRO 35 spraying machine - Chassis

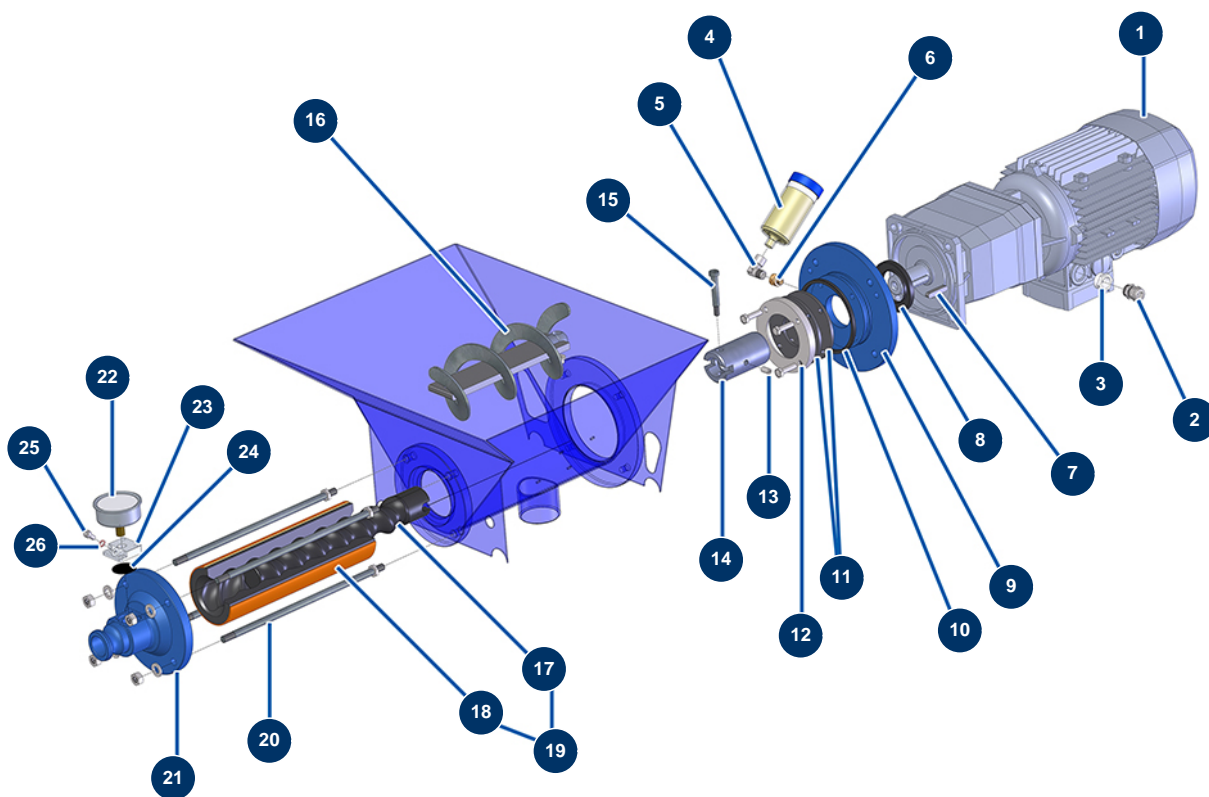


Détails des pièces

Pos.	Référence	Désignation
1	11379	COMPACT-PRO 30, 35, 40 & 50 machine safety grid
2	80372	Complete Ø410 wheel with bearing - axle of 25
3	90282	Ø25 chromed clip
4	11380	COMPACT-PRO 30 machine arm - old model
5	90255	Arm handle for EUROPRO 24P, E50 and E100
6	80028	1/4 conical axial manometer - 50mm - 0 to 20 bar
7	80097	1/4" certified outer threaded safety valve 11 bar
8	30123	Low pressure Y - M1/4" x F1/4" x F1/4"
9	01015	9
10	30133	1/4" male compressor tank purge
11	30120	Elbow BP 90° 3/8 MaleC x 3/8 FemaleD
12	30367	3/8" MaleC x 3/8" MaleC low-pressure nipple
13	11396	POLYPRO 2" inner threaded adapter for COMPACT-PRO 30

Pos.	Référence	Désignation
14	11397	POLYPRO 2" female plug with cams for COMPACT-PRO 30
15	70034	3/8" outer threaded female quick connector
16	30147	Silentbloc ø 20 x 15 M6 for Compact-pro 30
17	30154	Compression head for EUROPRO 30 and 30+
18	30369	1/2" MaleC x 1/2" MaleC low-pressure nipple
19	11341	COMPACT-PRO 30 & 40 compressor outlet air hose
20	M10322	Filter body for spraying machine
21	12502	50 meshes hopper filter
22	032095	22
23	M10323	Spraying machine filter body plug
24	30005	Flowmeter for EUROPRO 4-6-8-14 and 24 P
25	11340	MORTAR machine flow meter air hose
26	70035	3/8" inner threaded female quick fit coupling
27	11361	EUROPRO COMPACT-PRO 30 electric box gasket
28	11997	Single vibrator - 230V
29	C20440	CP 35 hopper compressor support plate

COMPACT-PRO 35 spraying machine - Transmission

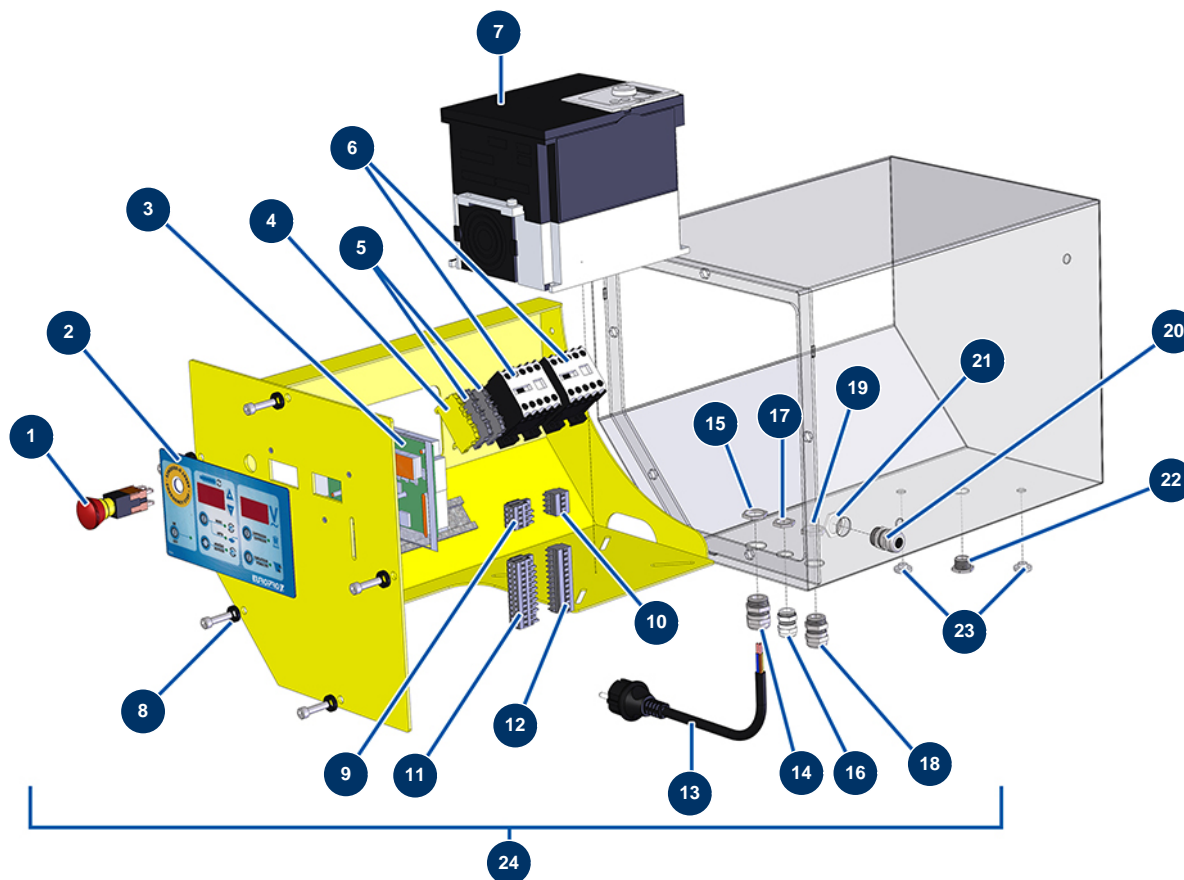


Détails des pièces

Pos.	Référence	Désignation
1	10895	Geared motor 2,2 kW - T322 - R14 - 1400 rpm - 400V
2	30040	Nickel plated watertight cable gland of 11 CEM
3	80446	Cable gland reduction M 25-11
4	90639	Automatic greaser
5	30121	90° low-pressure elbow 1/4 MaleC x 1/4 FemaleD
6	10899	1/8" MaleD x 1/4" FemaleD low-pressure nipple
7	11999	8 x 7 x 40 parallel key with round end
8	70107	Spi seal 50 x 80 x 8 for 24P,24PT, MPE300, COMPACT-PRO 30
9	11334	Motor spacer flange for COMPACT-PRO
10	11337	COMPACT-PRO 30 4-lobes seal for motor spacer flange
11	11300	COMPACT-PRO 30 tank base gasket
12	11335	12
13	11360	Socket head screw M 8 x 16

Pos.	Référence	Désignation
14	11336	Drive shaft for CP 20, 30 & 40
15	11359	CP 30 transmission shaft screw pin
16	11357	CP 30 to 50 connecting rod
17	MI7009107300	EUROPRO MAP 5/6 pump rotor CP30-type head
18	MI3F00529400	EUROPRO MAP 6 D8-1,5 adjustable pump stator
19	30446	EUROPRO MAP 6 pump rotor/stator kit
20	60010	Fastening tie rod for MAP 5/6
21	90125	EUROPRO 24 P and COMPACT-PRO 30 stator flange
22	80070	Axial manometer 1/4" conical oil 50 mm 0 to 60 bar
23	M10079	MIXPRO 14 cage cover
24	12913	Pump nose manometer membrane for JETPRO 80, 120, JETBAG 120
25	90157	M6 x 16 cylindrical head screw - CP 60
26	12765	Copper seal for JETPRO 80 pump nose

COMPACT-PRO 35 spraying machine - Electrical box

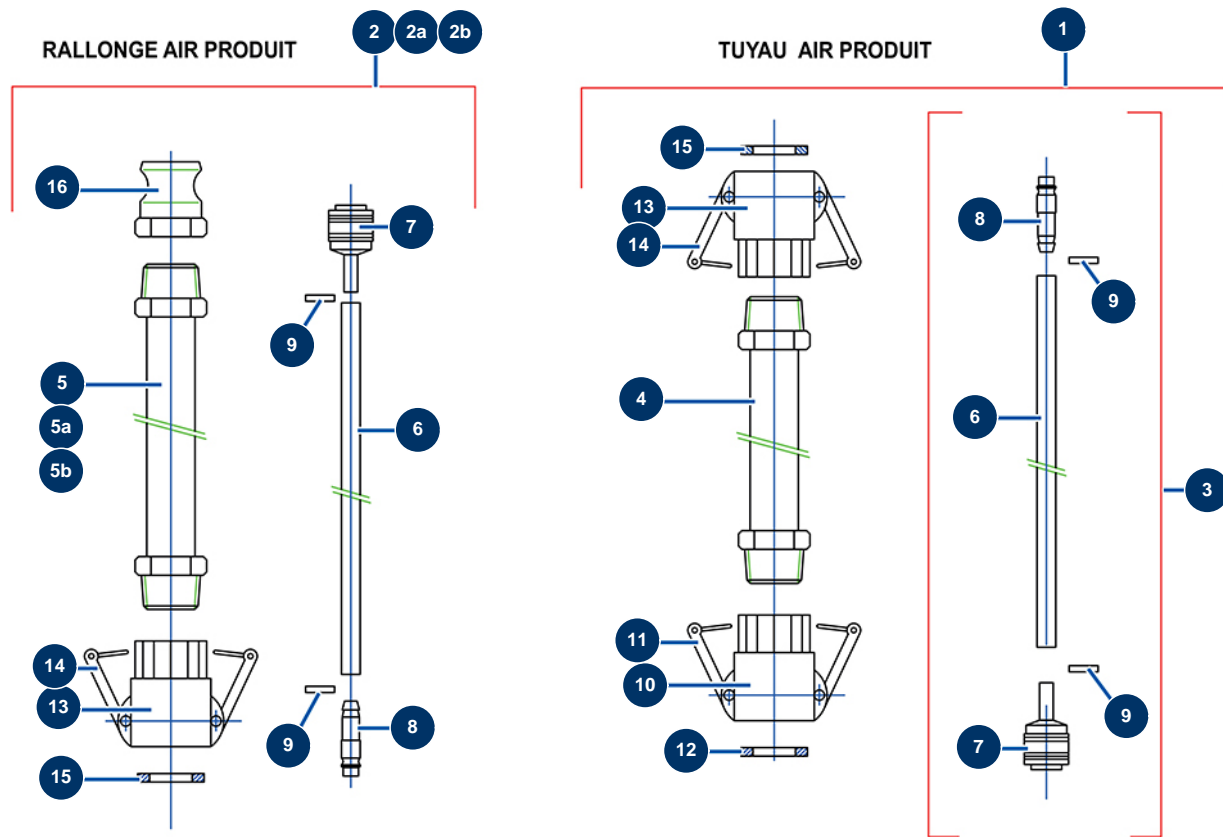


Détails des pièces

Pos.	Référence	Désignation
1	13015	Hanging EMERGENCY STOP button Ø16
2	13006	COMPACT PRO front with membrane
3	30672	COMPACT-PRO 30, 35 & 40 electronic card
4	30038	Yellow and green conductive block 6 mm ²
5	80482	Grey conductor block 6 mm ²
6	11918	Coil contactor 24 Volt AC
7	80459	Inverter 230 V - 2.2 KW
8	80573	Hollow washer Ø 6
9	12754	4-pin male connector
10	12755	4-pin female connector
11	11771	12 pins male connector
12	11772	12 pins female connector
13	90214	Power cable with molded plug 3G 2,5 mm ²

Pos.	Référence	Désignation
14	30332	13mm nickel plated sealed cable gland
15	30054	Cable gland locknut of 13
16	80445	Watertight cable gland of M16
17	11327	Cable gland locknut of M16
18	30040	Nickel plated watertight cable gland of 11 CEM
19	30333	Cable gland locknut of 11 CEM
20	30082	Nickel plated watertight cable gland of 11
21	30060	11mm cable gland nut
22	80442	Electric plug for IM 16
23	80397	Water exhaust cork for electrical box
24	30741	24

COMPACT-PRO 35 spraying machine - Hoses

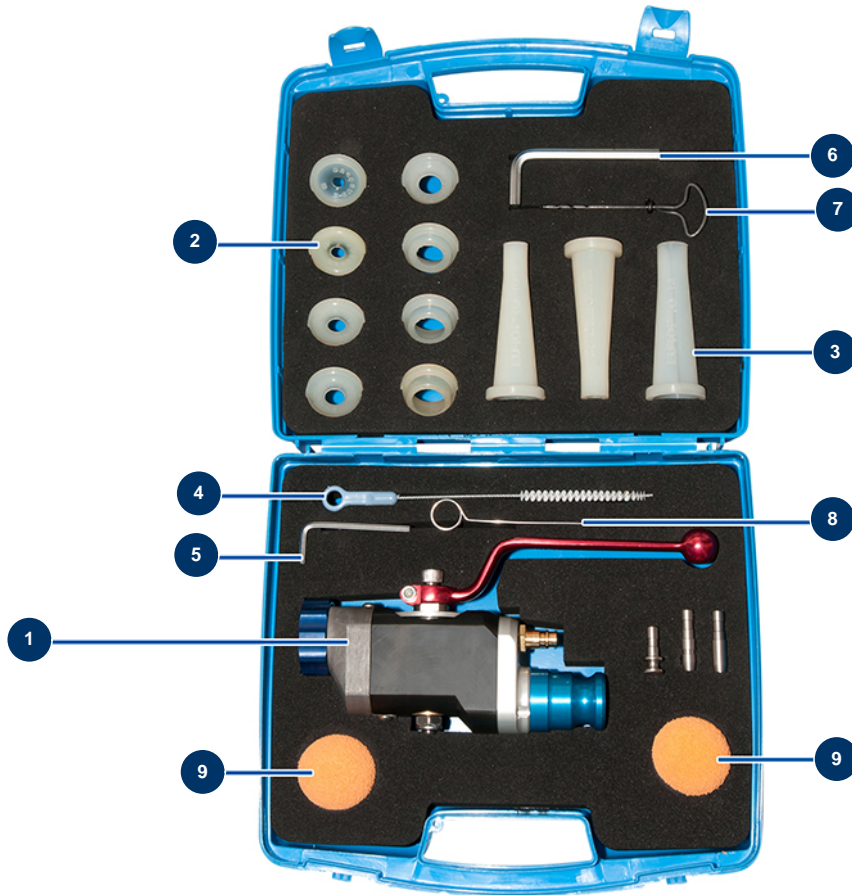


Détails des pièces

Pos.	Référence	Désignation
1	30143	ø 32 x 10 metres air product hose 24 P
2	12039	Air-product extension Ø35 x 10 m
2a	12170	Air-product extension Ø35 x 15 m
2b	12077	Air-product extension Ø35 x 20 m
3	91064	Complete air hose for lance 11,15 m 14P and 24P
4	50015	Ø32 x 10 m product hose outer threaded 1" x 1"1/4
5	11977	Product hose ø 35 x 10 m threaded 1"1/4
5a	11978	Product hose Ø35 x 15 m outer threaded 1"1/4
5b	11979	Product hose Ø35 x 20 m outer threaded 1"1/4
6	50003	Clear braided PVC hose Ø 10 x 16 by the metre
7	70004	Female quick fit coupling with corrugated shank of 9
8	70018	Corrugate male quick fit coupling of 9
9	12218	Spring collar Ø 15

Pos.	Référence	Désignation
10	70007	1" camlock alu coupling, inner threaded 1" for 6, 8, 14 & 24P
11	90689	1" cam coupler
12	70014	1" cam coupler gasket
13	70006	1"1/4 camlock alu coupling, inner threaded 1"1/4 for 24P
14	90691	1"1/4 cam coupler
15	70015	1"1/4 cam coupler gasket
16	70012	1"1/4 inner threaded adapter for 24P

COMPACT-PRO 35 spraying machine - Spraying lance



Détails des pièces

Pos.	Référence	Désignation
1	12274	ABS mortar spray lance 1" coupling
2	11760	Set of spray nozzles Ø 8, 10, 12, 14, 16, 18, 20, 22 - C.P
3	11759	Set of grouting nozzles Ø 10, 12, 14
4	0022035	4
5	13050	4mm Allen key
6	001013	6
7	90605	Tube brush
8	001017	8
9	90566	Cleaning ball Ø 50