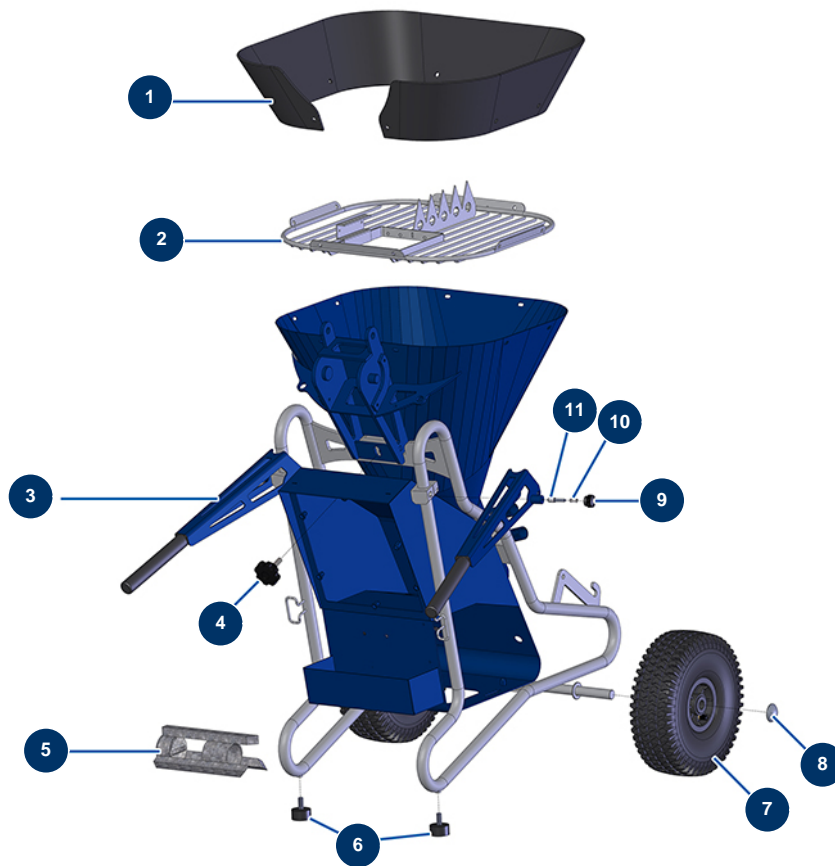


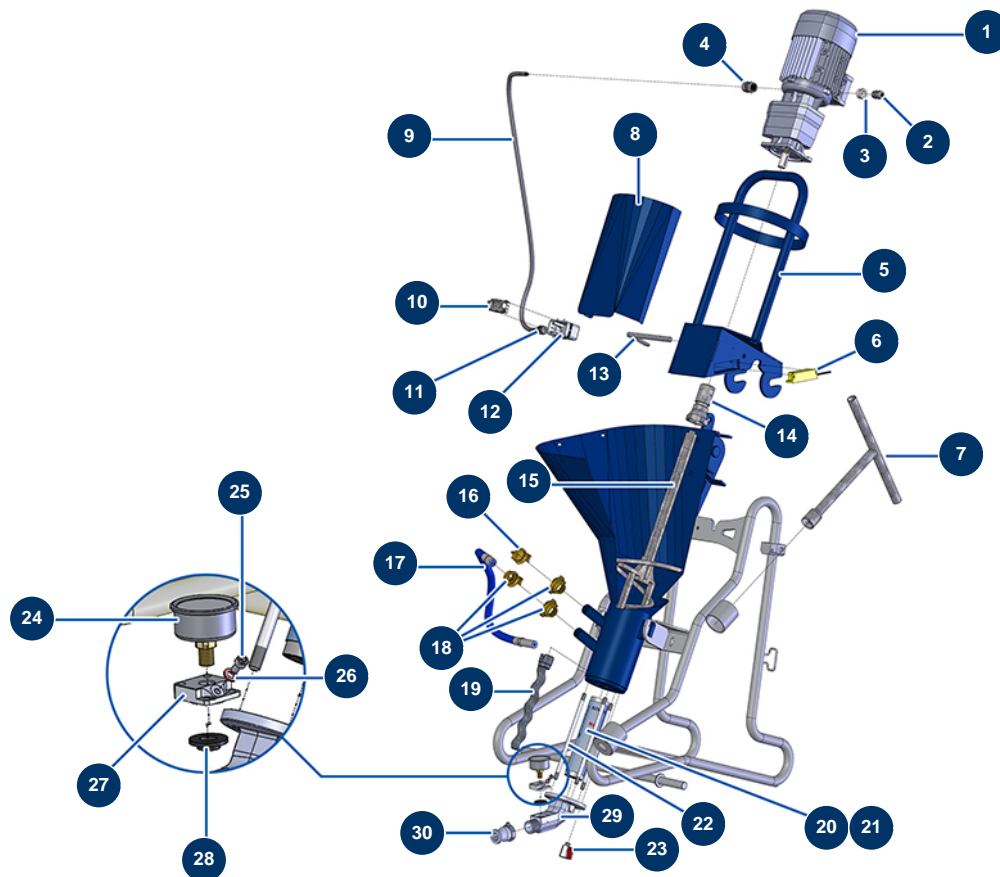
MIXPRO 14 complete floor-screed continuous mixing machine - Chassis



Détails des pièces

Pos.	Référence	Désignation
1	12087	MIXPRO 14 plastic raiser
2	C20156	MIXPRO 14 safety grid
3	C20225	MIXPRO 14 machine right arm
4	12262	Plastic thumb wheel M 10 x 30
5	C20161	MIXPRO 14 cleaning part
6	30145	Ø 40 x 20 M10 stop
7	90692	Complete wheel 300 shaft of 20
8	90281	Ø20 chromed clip
9	20001	EUROPRO 30+,36 and 40 compressor arm button
10	60040	Compressor trigger spring
11	90179	EUROPRO 30+,36 and 40 compressor arm latch

MIXPRO 14 complete floor-screed continuous mixing machine - Transmission

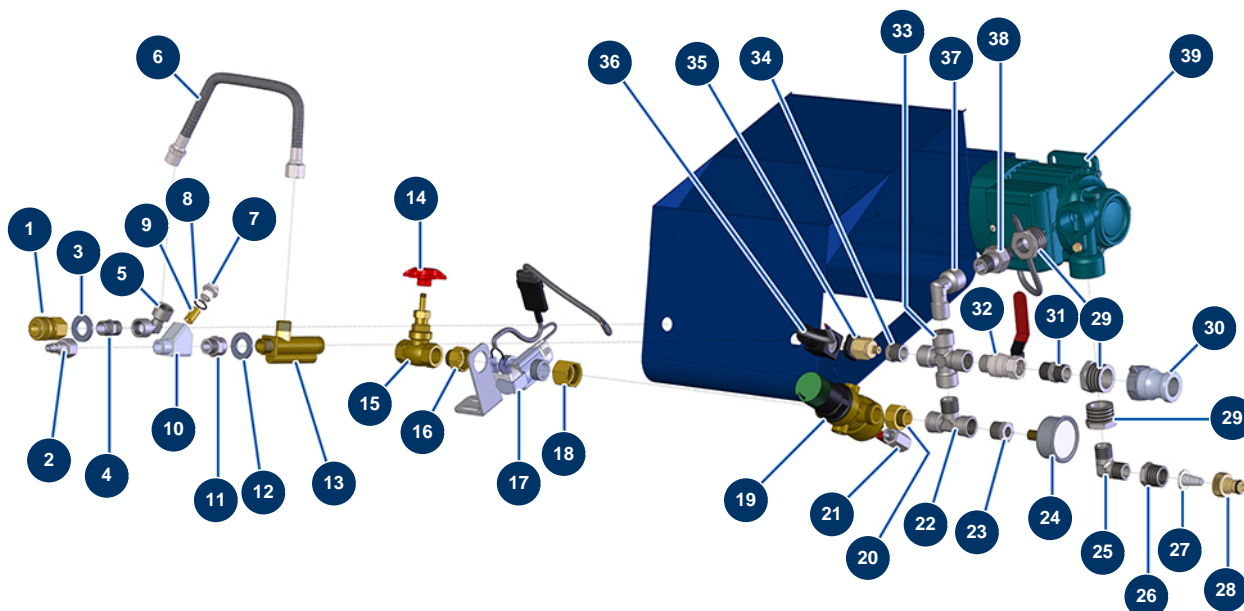


Détails des pièces

Pos.	Référence	Désignation
1	12081	Geared motor 1,5 kW - TC122 - R12,1 - 2800 rpm - 400V
2	30082	Nickel plated watertight cable gland of 11
3	80446	Cable gland reduction M 25-11
4	80449	Watertight cable gland of M 25
5	C20150	MIXPRO 14 motor support
6	12120	Grid safety sensor for JETMIX, MIXPRO 14, 70 & 100
7	C20243	MIXPRO 14 rotor dismounting key
8	C21403	MIXPRO 14 motor deflector
9	12131	OLFLEX CLASSIC 110 8G1.5 electrical cable by the metre
10	12093	Male insert 10 p + T
11	90600	16 nickel plated waterproof cable gland
12	13051	4 PVI hood - lateral
13	C20241	MIXPRO 14 motor support locking axis

Pos.	Référence	Désignation
14	M10152	MIXPRO 14 drive shaft
15	C20215	MIXPRO 14 drive shaft
16	12221	GEKA coupling plug
17	12736	MIXPRO 14 Version 2 mixing chamber flow meter supply hose
18	12117	3/4" inner threaded Geka coupling
19	MI7009107800	EUROPRO MAP 3 pump rotor with bayonet head
20	MI3F00529201	EUROPRO MAP 3 - 60SH pump stator
21	30479	EUROPRO MAP 3 pump rotor/stator kit
22	M10596	Fixation tie rod for MIXER 8
23	30135	1/4" mini lux valve
24	80070	Axial manometer 1/4" conical oil 50 mm 0 to 60 bar
25	90798	M6 x 10 cylindrical head screw - CP 60 cylindrical head screw
26	12765	Copper seal for JETPRO 80 pump nose
27	M10079	MIXPRO 14 cage cover
28	12126	MIXPRO 14 pump head manometer membrane
29	M10384	MIXPRO 14 pump head flange
30	70002	1" inner threaded adapter for 4 to 14P

MIXPRO 14 complete floor-screed continuous mixing machine - Hydraulic system

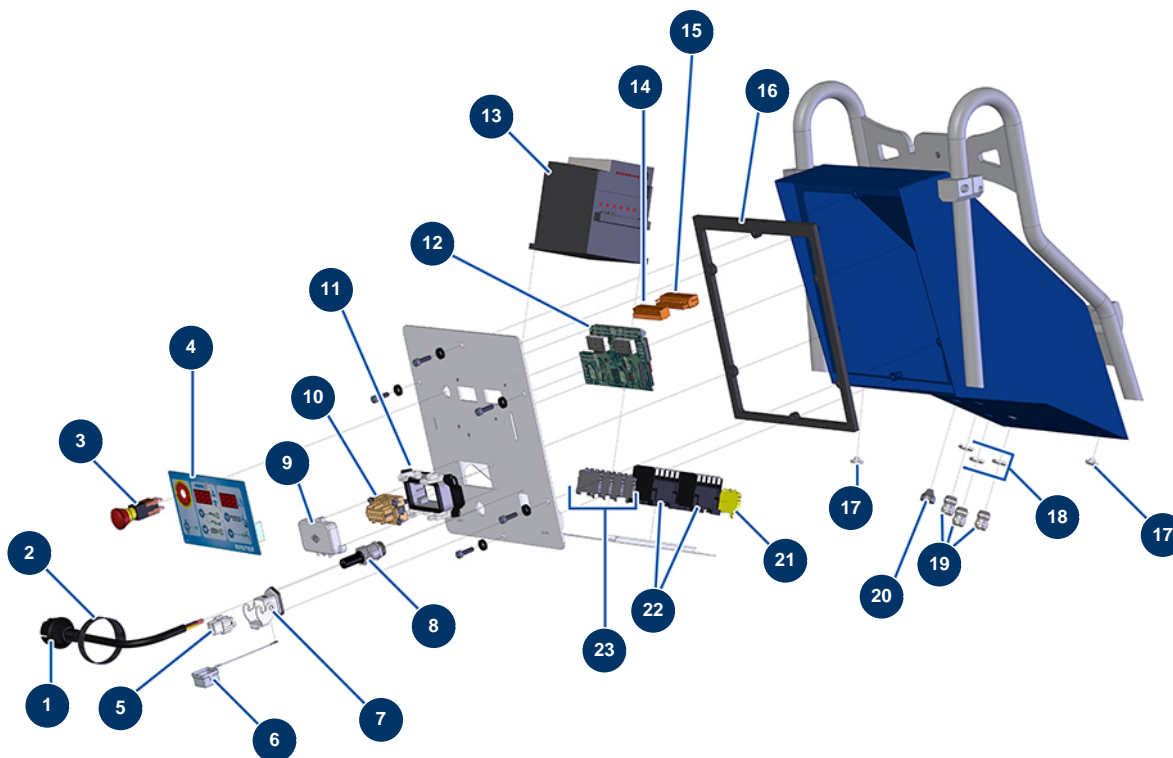


Détails des pièces

Pos.	Référence	Désignation
1	70035	3/8" inner threaded female quick fit coupling
2	80092	Male quick fit coupling inner threaded 3/8" Ø 6
3	30288	ø 16 inox narrow washer
4	30367	3/8" MaleC x 3/8" MaleC low-pressure nipple
5	70024	Elbow BP 90° 3/8 FemaleD x 3/8 FemaleD
6	90849	AG flow meter air hose
7	M10323	Spraying machine filter body plug
8	1032095	O-ring 12,42 x 1,78
9	12502	50 meshes hopper filter
10	M10322	Filter body for spraying machine
11	91053	3/8" MaleD x 3/8" FemaleD low-pressure nipple
12	30288	ø 16 inox narrow washer
13	30005	Flowmeter for EUROPRO 4-6-8-14 and 24 P

Pos.	Référence	Désignation
14	M10231	Wheel for needle valve MIXPRO 14
15	12470	Needle valve 1/2"F x 1/2"F MIXPRO 14
16	12526	3/4" FemaleD x 1/2" MaleD low-pressure nipple
17	14241	Flowmeter electrovalve with 5-pin connector
18	11311	3/4" FemaleD x 3/4" FemaleD low-pressure nipple
19	13502	1,5 to 6 bar water pressure regulator with purge
20	12526	3/4" FemaleD x 1/2" MaleD low-pressure nipple
21	30135	1/4" mini lux valve
22	30122	F1/2" x M1/2" x F1/2" low pressure T
23	30119	1/2" MaleC x 1/4" FemaleD low-pressure reduction
24	80700	Cylindrical oil 1/4 axial manometer 50 mm 0 to 16 bar
25	11646	Elbow BP 90° 1/2" MaleC x 1/2" MaleC
26	80323	3/4" MaleC x 1/2" FemaleD low-pressure reduction
27	80128	Filter for 3/4" brass quick connector
28	80124	Inner threaded 3/4" quick connector
29	91054	1" MaleC x 1/2" FemaleD low-pressure reduction
30	70002	1" inner threaded adapter for 4 to 14P
31	30369	1/2" MaleC x 1/2" MaleC low-pressure nipple
32	90023	Red handle valve M1/2" x F1/2"
33	12064	X BP 4 x 1/2"Female
34	90243	1/2" MaleC x 1/8" FemaleD low-pressure reduction
35	12057	MIXPRO 14 pressure switch 1.6 NO tare
36	12891	MIXPRO 14 & C.P 60 pressure switch connector
37	90483	Elbow BP 90° 1/2 MaleC x 1/2 FemaleD
38	30132	Union coupling 1/2
39	MI3D00703001	230V MONO electropump

MIXPRO 14 complete floor-screed continuous mixing machine - Electrical box

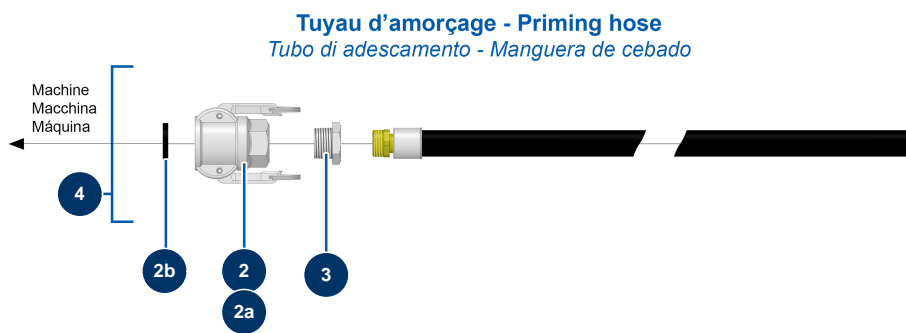
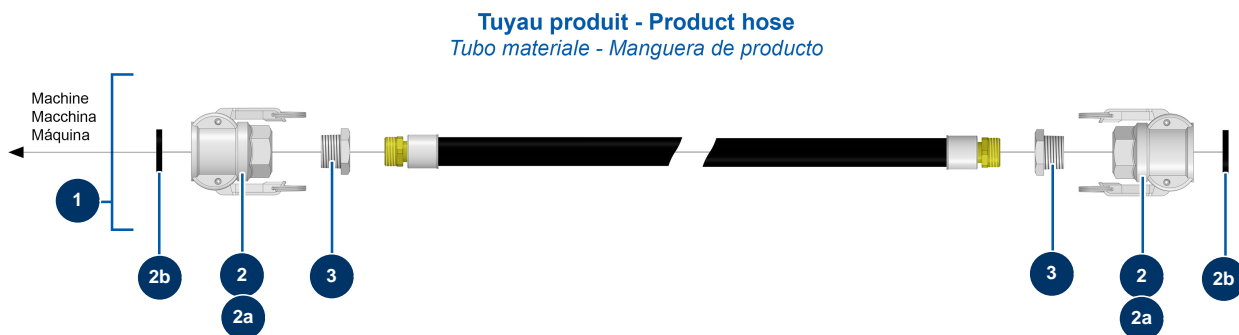


Détails des pièces

Pos.	Référence	Désignation
1	90214	Power cable with molded plug 3G 2,5 mm ²
2	12411	Self-gripping collar 20 x 330 mm
3	13015	Hanging EMERGENCY STOP button Ø16
4	13008	MIXPRO 14 front with membrane
5	11914	Female insert 4p + G
6	12535	2 PIV cover with MIXPRO 14 gasket
7	11915	Blowing machine insulating support 3 p + T - 1 lever
8	80450	2 cable gland for 11mm supply cable
9	12096	4 PIV cover
10	12092	Female insert 10 p + T
11	12094	Base 10 p + T - 2 levers
12	30671	MIXPRO 14 electronic card
13	80458	Inverter 230 V - 1,5 kW

Pos.	Référence	Désignation
14	11772	12 pins female connector
15	11771	12 pins male connector
16	12100	EUROPRO MIXPRO 14 electrical box gasket
17	80397	Water exhaust cork for electrical box
18	11327	Cable gland locknut of M16
19	80445	Watertight cable gland of M16
20	11564	M 16 grey rubber cable gland
21	30038	Yellow and green conductive block 6 mm ²
22	30011	230 Volt coil switch for sprayer
23	80467	Grey conductor block 4 mm ²

MIXPRO 14 complete floor-screed continuous mixing machine - Hoses



Détails des pièces

Pos.	Référence	Désignation
1	12025	Pouring product hose Ø 19 x 10 m with 2 x F. 1" couplings
2	70007	1" camlock alu coupling, inner threaded 1" for 6, 8, 14 & 24P
2a	90689	1" cam coupler
2b	70014	1" cam coupler gasket
3	90789	1" MaleC x 3/4 FemaleD low-pressure reduction
4	12029	Pouring product hose Ø 19 x 2 m with 1 x 1" coupling MIXPRO 14