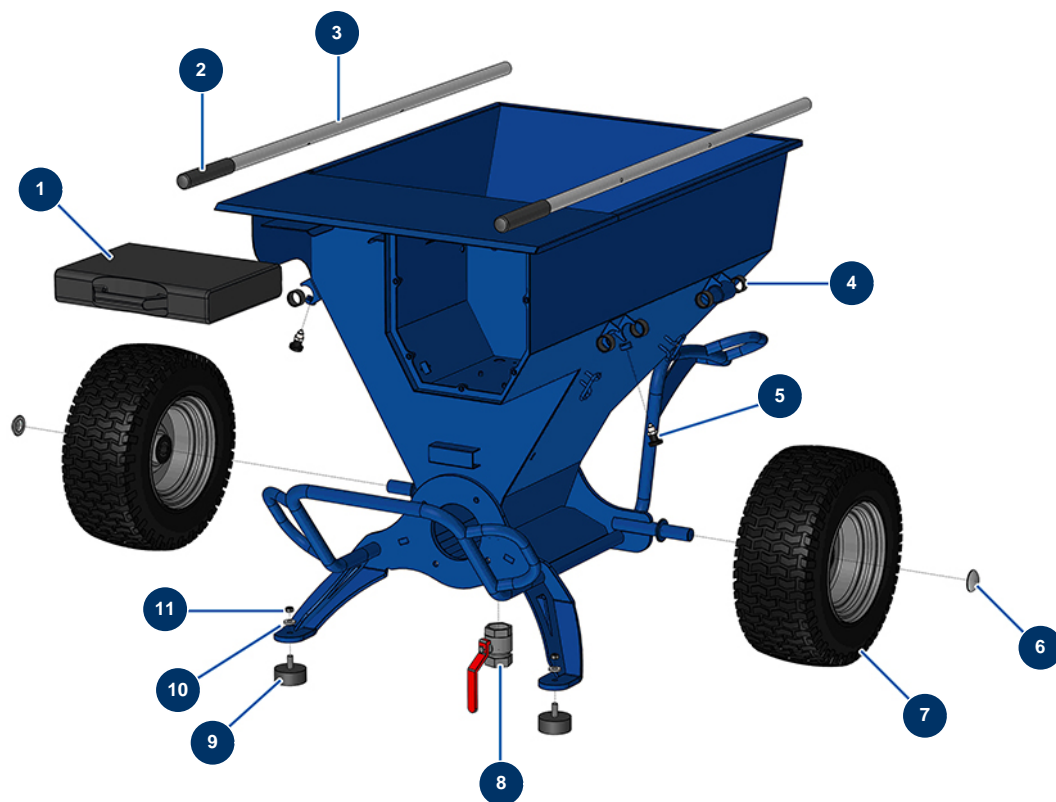


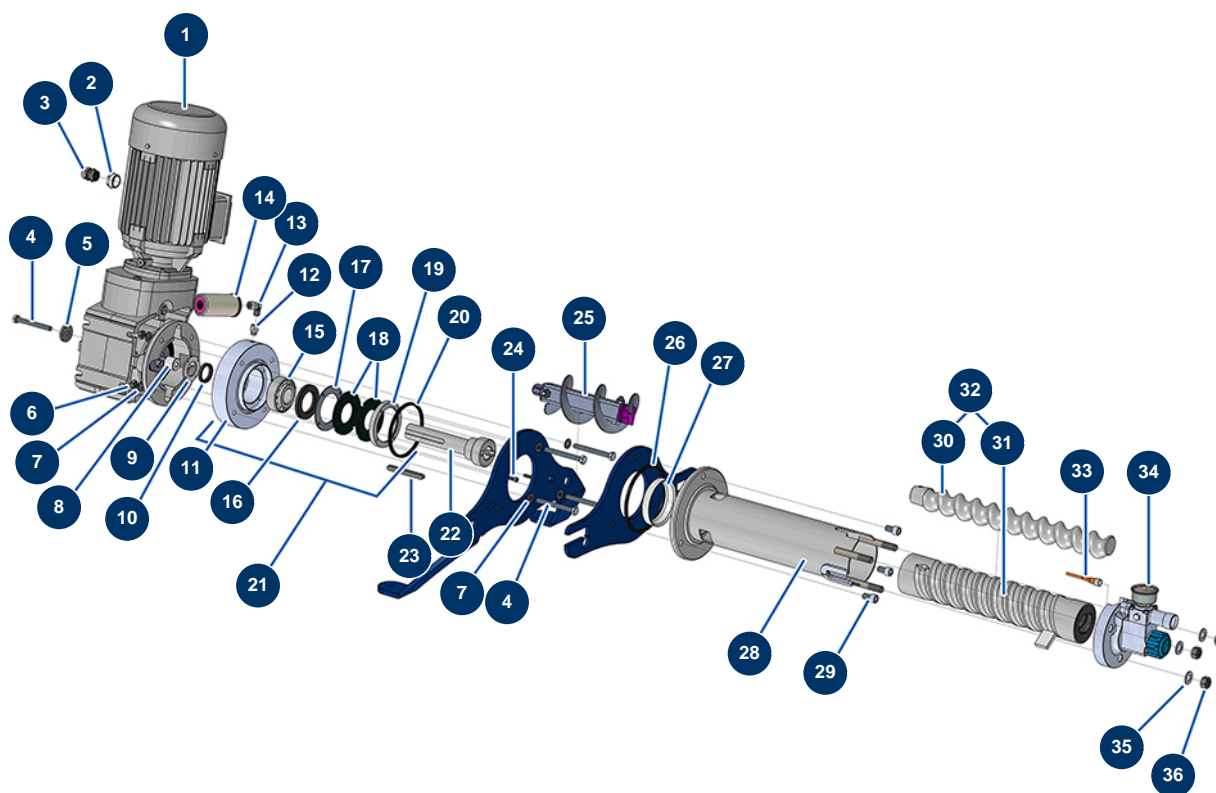
JETPRO 160 complete atomizer - 400V TETRA - Chassis



Détails des pièces

Pos.	Référence	Désignation
1	90603	Empty case for lance
2	90255	Arm handle for EUROPRO 24P, E50 and E100
3	C21327	COMPACT-PRO 30 to 55 machine arm from March 2020
4	13453	Cylindrical bearing 26/30 x 16
5	13454	M12 X 1.5 indexage pin
6	90282	Ø25 chromed clip
7	80372	Complete Ø410 wheel with bearing - axle of 25
8	30152	Drain valve for EUROPRO 24P and MPE 300
9	90196	Ø 60 x 25 M10 stop
10	80261	ø 10 inox medium washer
11	60013	M 10 nylstop nut

JETPRO 160 complete atomizer - 400V TETRA - Transmission (from 07/2021)

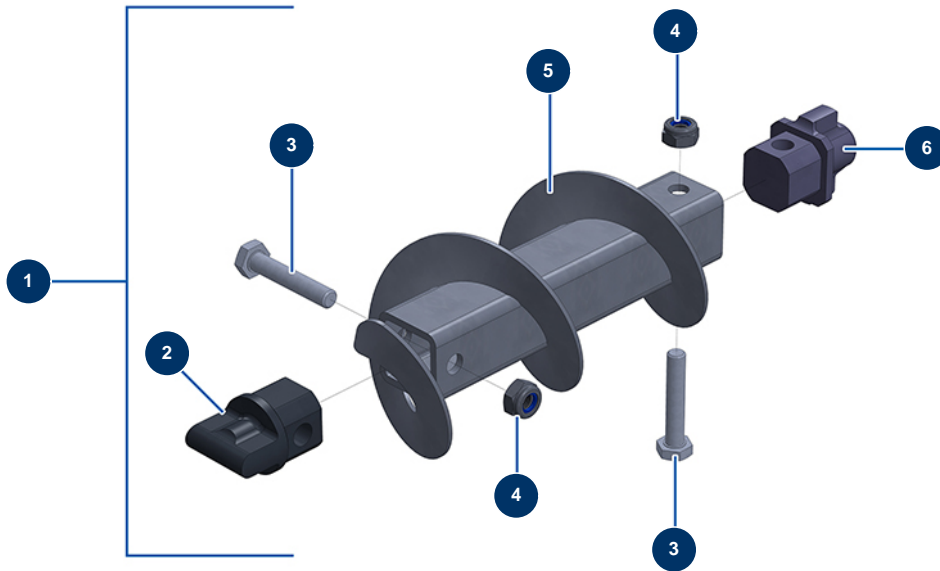


Détails des pièces

Pos.	Référence	Désignation
1	12788	Geared motor 4 kW - T112 - R12,84 - 1400 rpm - 400V
2	12814	Cable gland reduction M 32-25
3	80449	Watertight cable gland of M 25
4	12164	THEF 10 x 100 screw
5	C22885	5
6	13978	M10 inox nut
7	80261	ø 10 inox medium washer
8	M10444	Ring for JETPRO, JETBAG 160
9	C21066	Ø 61 back seal holding washer for JETPRO
10	13219	Spi seal 35 x 45 x 7
11	M10498	11
12	90773	1/4" MaleD x 1/4" FemaleD low-pressure nipple
13	12104	45° inox low-pressure elbow FemaleD 1/4 x MaleD 1/4

Pos.	Référence	Désignation
14	90639	Automatic greaser
15	13660	35 x 80 x 31 thrust bearing for JETPRO
16	70107	Spi seal 50 x 80 x 8 for 24P,24PT, MPE300, COMPACT-PRO 30
17	C21514	17
18	12507	Bottom of tank seal for JETPRO 80
19	M10222	Flange seal for JETPRO 80 & 120
20	12506	4-lobes seal for JETPRO 80 flange
21	13580	SEW EUROPRO JETPRO, JETBAG 160 motor complete flange
22	M10442	Drive shaft for JETPRO & JETBAG 160
23	13306	10 x 8 x 100 parallel key with round end
24	90996	6 x 20 inox cylindrical head screw
25	14869	JETPRO 160 reinforced connecting rod
26	12815	4-lobes seal for JETPRO / JETBAG 120 flange
27	M10443	27
28	13319	Stator holding kit for JETPRO, JETBAG 160
29	12498	12 x 30 cylindrical head screw
30	MI7009107600	EUROPRO JET 4 pump chromed rotor
31	MI3F00529500	EUROPRO JET 4 BOOSTER-80SH pump stator
32	30792	EUROPRO JET 4 pump BOOSTER rotor/stator kit
33	12409	M12 straight female connector with 2m cable
34	14908	Nez pompe alu complet JETPRO 160 nouvelle version
35	30286	ø 14 inox narrow washer
36	10036	M 14 nut

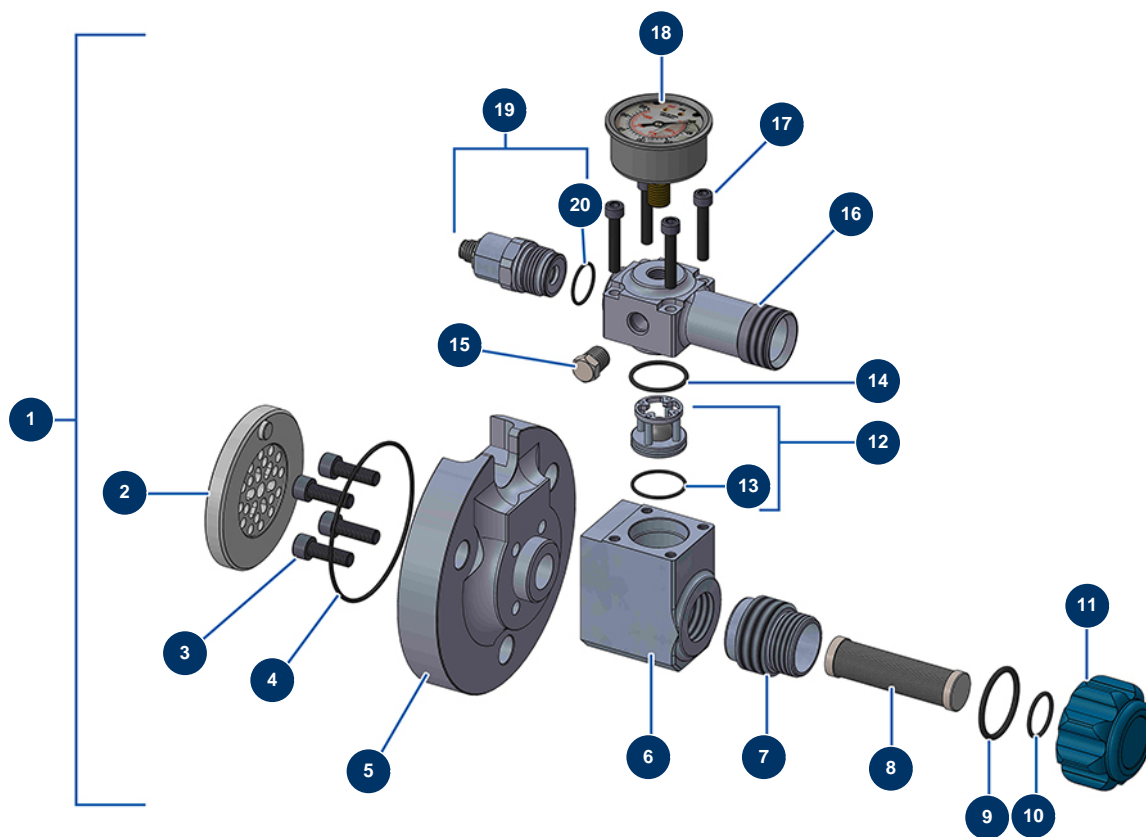
JETPRO 160 complete atomizer - 400V TETRA - Reinforced transmission rod



Détails des pièces

Pos.	Référence	Désignation
1	14869	JETPRO 160 reinforced connecting rod
2	M10485	Bearing pin for JETPRO 160 strengthened connecting rod - rotor side thick.13
3	13587	THEF M10 x 55 screw
4	13981	M 10 nylstop inox nut
5	C21474	Strengthened connecting rod for JETPRO, JETBAG 160
6	M10489	JETPRO 120-160 motor side ball joint

JETPRO 160 complete atomizer - 400V TETRA - Flange

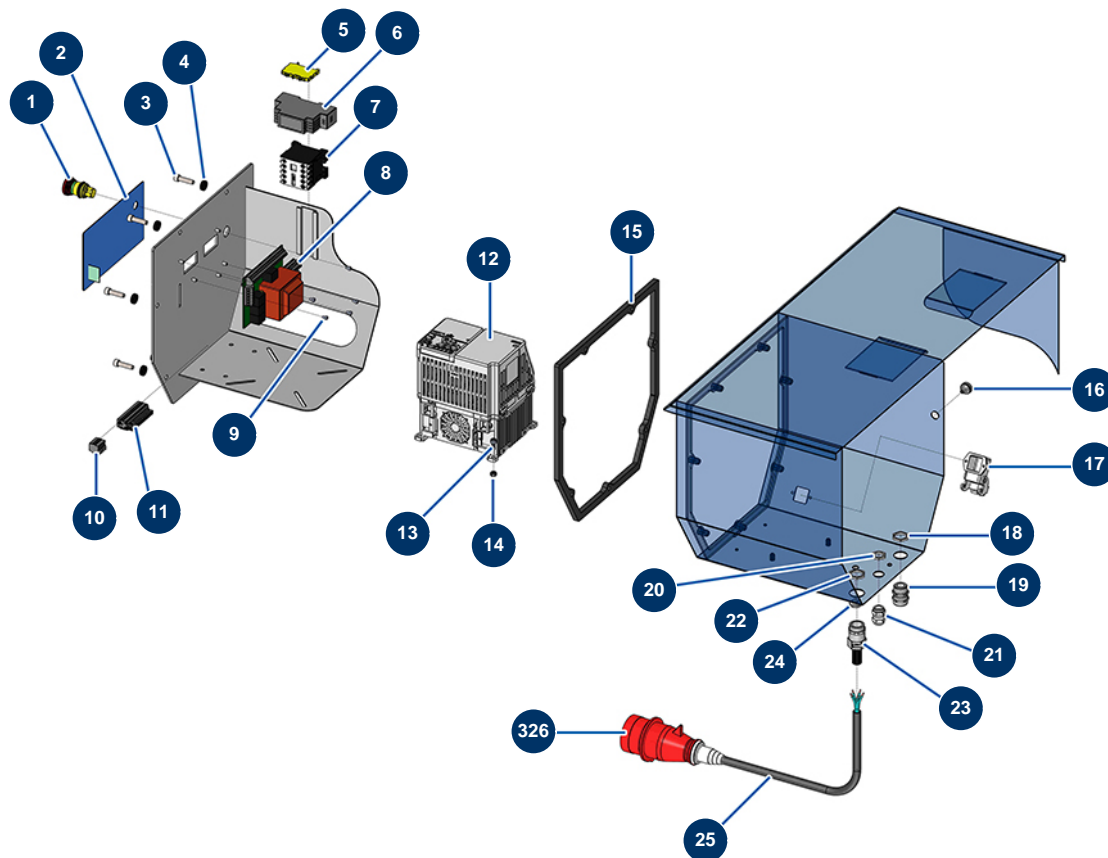


Détails des pièces

Pos.	Référence	Désignation
1	14908	Nez pompe alu complet JETPRO 160 nouvelle version
2	M10784	
3	12783	8 x 25 cylindrical head screw
4	14906	86 x 2 O-ring
5	M10763	JETPRO 120-7, 130-7 & 160 connecting flange
6	M10768	JETPRO 120-7, 130-7 & 160 axial flange
7	M10782	MINIJET/JETPRO stator flange insert
8	30668	30 meshes filter for JETPRO spray-gun
9	14863	35 x 3 O-ring
10	14765	22 x 2 O-ring
11	M10708	Stator flange filter plug for MINIJET/JETPRO new generation
12	14789	Complete ball cage for MINIJET/JETPRO new generation
13	14607	27 x 1,5 O-ring

Pos.	Référence	Désignation
14	14764	28 x 2 O-ring
15	90842	1/4" high-pressure MaleC plug
16	M10767	
17	12567	6 x 35 cylindrical head screw
18	12623	50 mm axial manometer 1/4" conical - 0 to 160 bar
19	14976	250 Bar 4-20mA pressure sensor
20	14863	35 x 3 O-ring

JETPRO 160 complete atomizer - 400V TETRA - 4-phased electrical box

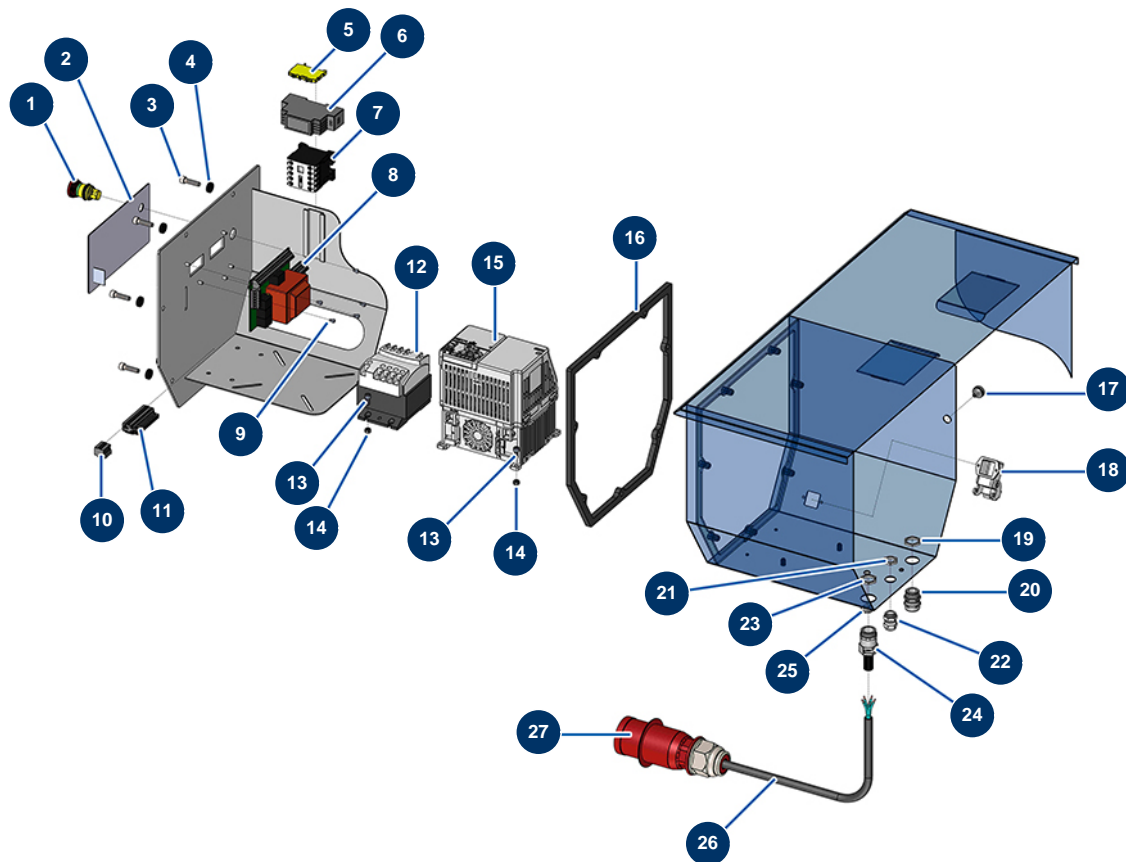


Détails des pièces

Pos.	Référence	Désignation
1	13015	Hanging EMERGENCY STOP button Ø16
2	13009	Membrane front panel for JETPRO
3	80470	8 x 20 cylindrical head screw
4	80573	Hollow washer Ø 6
5	30038	Yellow and green conductive block 6 mm²
6	12711	Supply 230V-24VDC-15W
7	11918	Coil contactor 24 Volt AC
8	30731	Electronic board for JETPRO 120
9	310011	3 x 10 cylindrical head screw
10	12755	4-pin female connector
11	11771	12 pins male connector
12	12945	Inverter 400 V - 4 KW GA
13	90161	5 x 12 inox cylindrical head screw

Pos.	Référence	Désignation
14	10038	M 6 nut
15	12920	Gasket for EUROPRO JETPRO 160
16	11563	M 12 grey rubber cable gland
17	12543	Insulating bend socket base 3p + G - 1 lever
18	30054	Cable gland locknut of 13
19	80445	Watertight cable gland of M16
20	30333	Cable gland locknut of 11 CEM
21	30040	Nickel plated watertight cable gland of 11 CEM
22	11327	Cable gland locknut of M16
23	80397	Water exhaust cork for electrical box
24	12774	Shielded cable 4 x 2,5 by the metre
25	12323	Male electrical plug 3P + N + G 16A with phase switch
326		326

JETPRO 160 complete atomizer - 400V TETRA - 3-phased electrical box

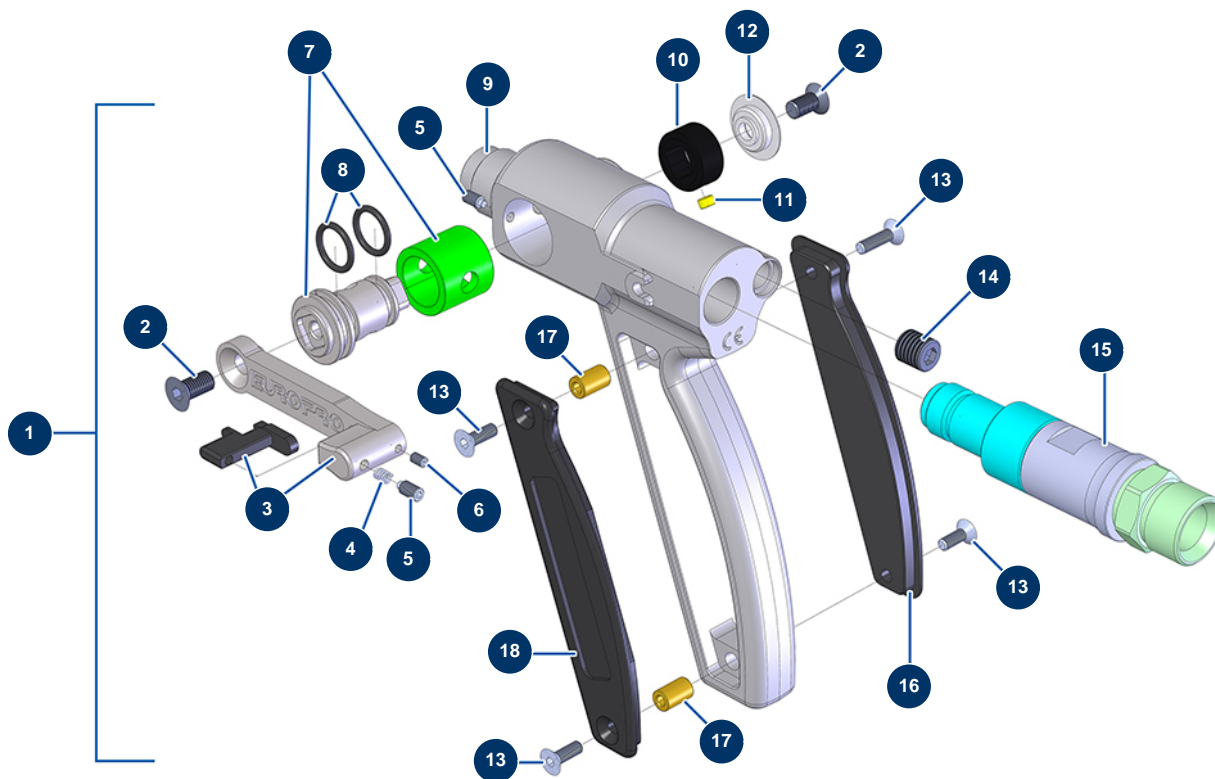


Détails des pièces

Pos.	Référence	Désignation
1	13015	Hanging EMERGENCY STOP button Ø16
2	13009	Membrane front panel for JETPRO
3	80470	8 x 20 cylindrical head screw
4	80573	Hollow washer Ø 6
5	30038	Yellow and green conductive block 6 mm ²
6	12711	Supply 230V-24VDC-15W
7	11918	Coil contactor 24 Volt AC
8	30731	Electronic board for JETPRO 120
9	310011	3 x 10 cylindrical head screw
10	12755	4-pin female connector
11	11771	12 pins male connector
12	13218	400/230 V transformer - 100VA
13	90161	5 x 12 inox cylindrical head screw

Pos.	Référence	Désignation
14	10038	M 6 nut
15	12945	Inverter 400 V - 4 KW GA
16	12920	Gasket for EUROPRO JETPRO 160
17	11563	M 12 grey rubber cable gland
18	12543	Insulating bend socket base 3p + G - 1 lever
19	30054	Cable gland locknut of 13
20	80445	Watertight cable gland of M16
21	30333	Cable gland locknut of 11 CEM
22	30040	Nickel plated watertight cable gland of 11 CEM
23	11327	Cable gland locknut of M16
24	11196	Nickel plated watertight cable gland of 13 CEM
25	80397	Water exhaust cork for electrical box
26	12774	Shielded cable 4 x 2,5 by the metre
27	12323	Male electrical plug 3P + N + G 16A with phase switch

JETPRO 160 complete atomizer - 400V TETRA - Spray-gun (from 06/2021)

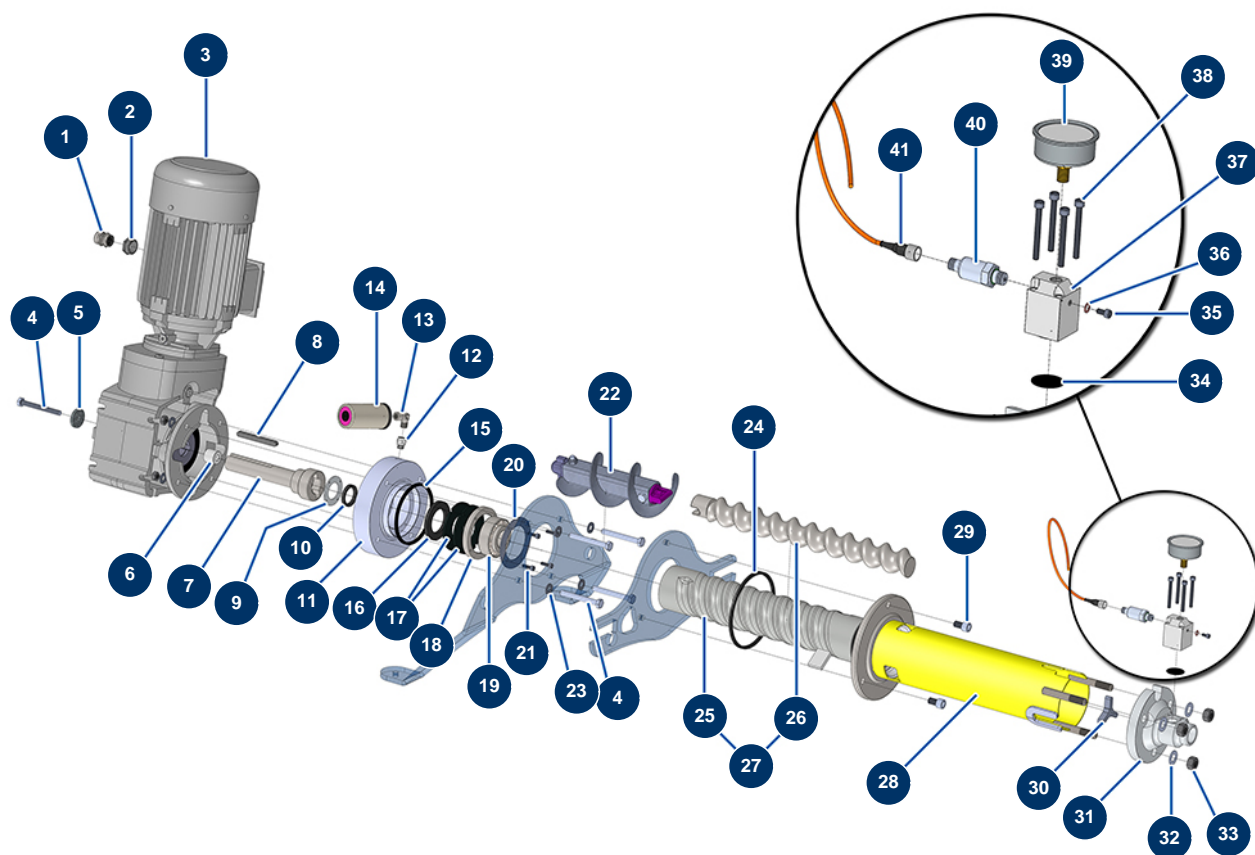


Détails des pièces

Pos.	Référence	Désignation
1	14797	New generation MINIJET/JETPRO spray-gun, without nozzle holder & without nozzle
2	12849	6 x 12 countersunk head screw
3	M07029	JETPRO spray-gun complete trigger
4	13589	Trigger spring for JETPRO spray-gun
5	13598	Countersunk head screw M4 x 8 inox
6	12708	3 x 5 stainless steel socket head screw with flat tip
7	14222	Complete flue block/jacket for JETPRO spray-gun
8	11303	12 x 2 o-ring
9	M10290	JETPRO spray-gun body
10	M10240	JETPRO spray-gun detection stop
11	13031	Wireless remote control starting magnet Ø 5 x 3
12	M10303	JETPRO spray-gun supported washer
13	13912	4 x 16 countersunk head screw

Pos.	Référence	Désignation
14	14793	M10 x 100 threaded plug (fine pitch)
15	M07056	Turning connector for JETPRO spray-gun
16	M10239	JETPRO spray-gun handle right cover
17	M10242	Axle for JETPRO spray-gun handle cover
18	M10238	JETPRO spray-gun handle left cover

JETPRO 160 complete atomizer - 400V TETRA - Transmission (up to 06/2021)

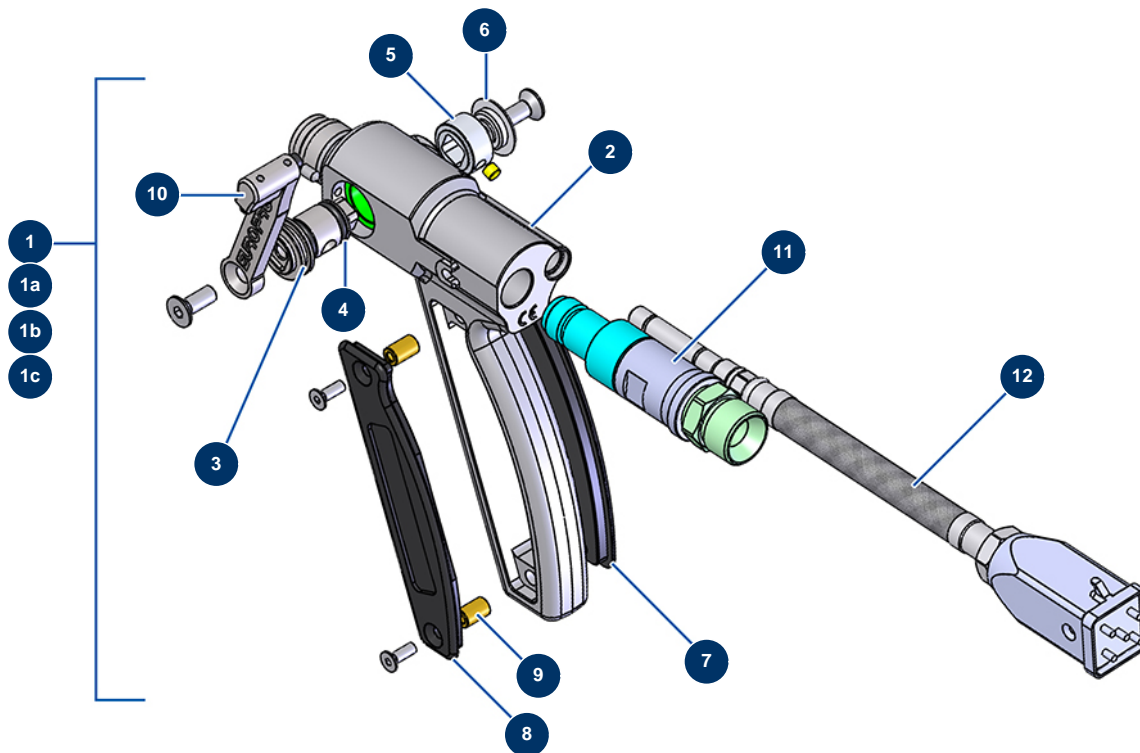


Détails des pièces

Pos.	Référence	Désignation
1	80449	Watertight cable gland of M 25
2	12814	Cable gland reduction M 32-25
3	12788	Geared motor 4 kW - T112 - R12,84 - 1400 rpm - 400V
4	12164	THEF 10 x 100 screw
5	C22885	5
6	M10444	Ring for JETPRO, JETBAG 160
7	M10442	Drive shaft for JETPRO & JETBAG 160
8	13306	10 x 8 x 100 parallel key with round end
9	C21066	Ø 61 back seal holding washer for JETPRO
10	13219	Spi seal 35 x 45 x 7
11	M10441	Motor spacer flange for JETPRO, JETBAG 160
12	90773	1/4" MaleD x 1/4" FemaleD low-pressure nipple
13	12104	45° inox low-pressure elbow FemaleD 1/4 x MaleD 1/4

Pos.	Référence	Désignation
14	90639	Automatic greaser
15	12506	4-lobes seal for JETPRO 80 flange
16	70107	Spi seal 50 x 80 x 8 for 24P,24PT, MPE300, COMPACT-PRO 30
17	12507	Bottom of tank seal for JETPRO 80
18	M1022	18
19	13660	35 x 80 x 31 thrust bearing for JETPRO
20	C21514	20
21	90996	6 x 20 inox cylindrical head screw
22	14869	JETPRO 160 reinforced connecting rod
23	80261	ø 10 inox medium washer
24	12815	4-lobes seal for JETPRO / JETBAG 120 flange
25	MI3F00529500	EUROPRO JET 4 BOOSTER-80SH pump stator
26	MI7009107600	EUROPRO JET 4 pump chromed rotor
27	30792	EUROPRO JET 4 pump BOOSTER rotor/stator kit
28	13319	Stator holding kit for JETPRO, JETBAG 160
29	12498	12 x 30 cylindrical head screw
30	M10771	Ø62 pump head crosspiece
31	13524	Stator flange for EUROPRO JETPRO 160
32		32
33	10036	M 14 nut
34	12913	Pump nose manometer membrane for JETPRO 80, 120, JETBAG 120
35	12625	6 x 8 cylindrical head screw
36	12765	Copper seal for JETPRO 80 pump nose
37	M10351	Flange cap for JETPRO 120
38	12320	CP Ideal mixer complete FORWARD-0-REVERSE button
39	90433	63 mm oil manometer 1/4 conical 0 to 400 bar
40	12560	250 bar pressure sensor for JETPRO and JETBAG 120
41	12409	M12 straight female connector with 2m cable

JETPRO 160 complete atomizer - 400V TETRA - Spray-guns (up to 06/2021)

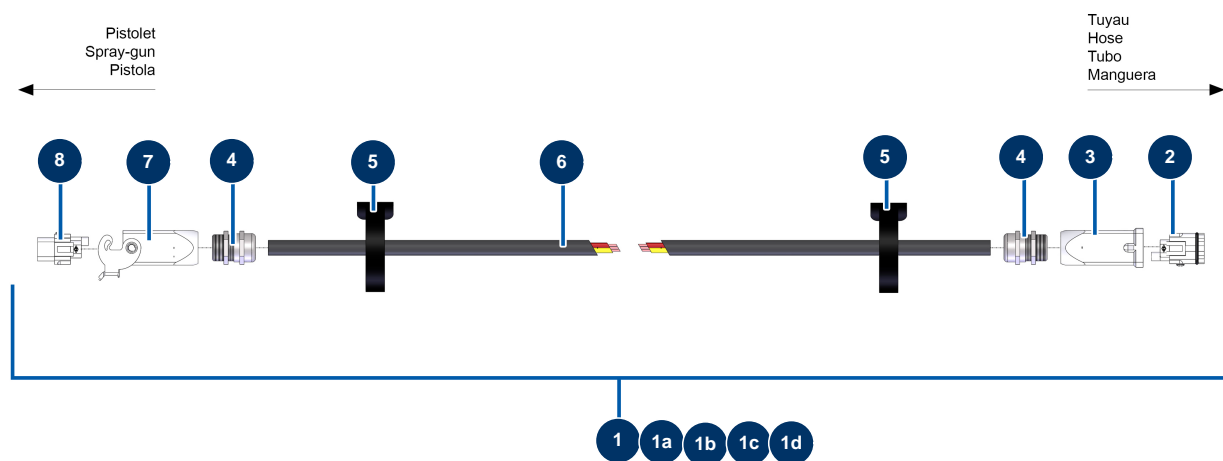


Détails des pièces

Pos.	Référence	Désignation
1	13176	Complete inox JETPRO spray-gun without nozzle holder
1a	13168	Complete JETPRO spray-gun, wireless remote control without nozzle holder & nozzle
1b	12549	Complete JETPRO spray-gun without nozzle holder
1c	M07022	JETPRO spray-gun without sensor, nozzle and nozzle holder
2	M10290	JETPRO spray-gun body
3	14222	Complete flue block/jacket for JETPRO spray-gun
4	11303	12 x 2 o-ring
5	M10240	JETPRO spray-gun detection stop
6	M10303	JETPRO spray-gun supported washer
7	M10239	JETPRO spray-gun handle right cover
8	M10238	JETPRO spray-gun handle left cover
9	M10242	Axle for JETPRO spray-gun handle cover
10	M07029	JETPRO spray-gun complete trigger

Pos.	Référence	Désignation
11	M07056	Turning connector for JETPRO spray-gun
12	12766	Complete sensor kit with square plug for JETPRO spray-gun

JETPRO 160 complete atomizer - 400V TETRA - Remote control extensions (up to 06/2021)

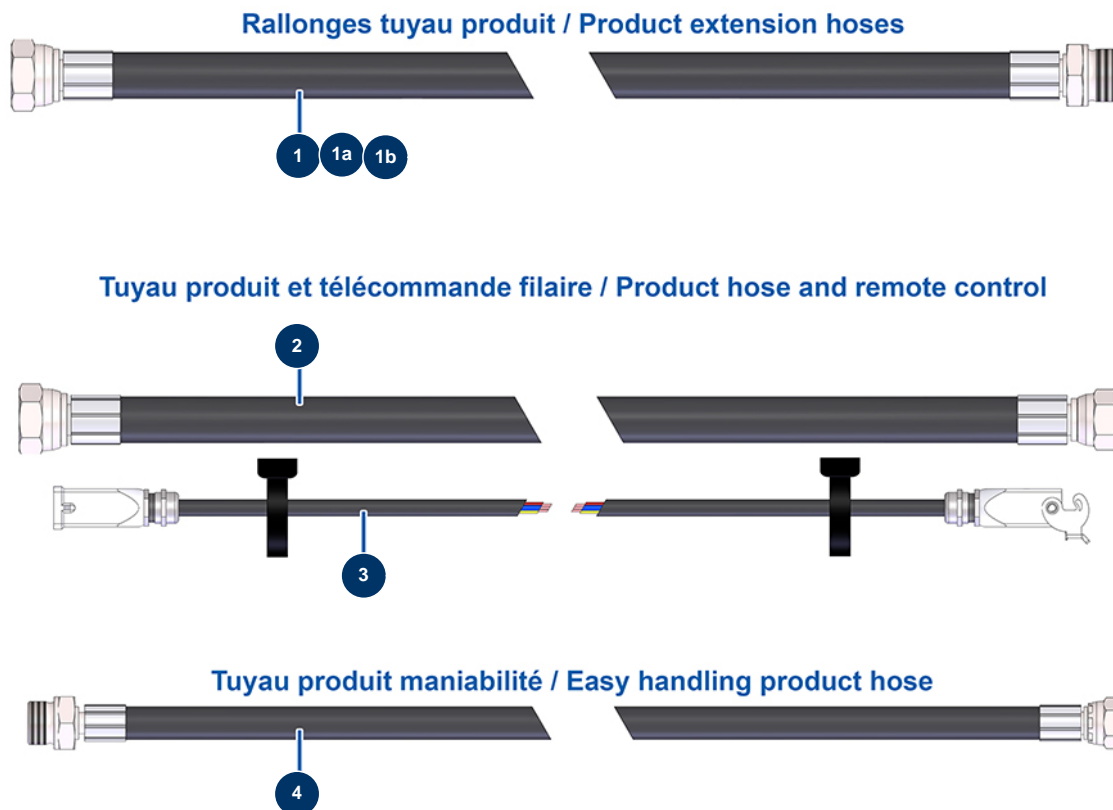


Détails des pièces

Pos.	Référence	Désignation
1	12904	10m extension for remote control
1a	12905	15m extension for remote control
1b	12906	20m extension for remote control
1c	12908	25m extension for wired remote control
1d	12907	40 metre extension for remote control UNIVERSAL
2	11913	Blowing machine male insert 4 p + T
3	11916	Blowing machine insulating cover 3 p + T
4	30042	Speed reducer 90° - T40 - R30 - B14/T71
4	30082	Nickel plated watertight cable gland of 11
5	12410	Self-gripping collar with loop 12,7 x 228 mm
6	30016	H07RNF 3G1.5 electrical cable by the metre
7	11966	Blowing machine 1 lever insulating cover 3 p + T

Pos.	Référence	Désignation
8	11914	Female insert 4p + G

JETPRO 160 complete atomizer - 400V TETRA - Extensions & hoses (up to 06/2021)



Détails des pièces

Pos.	Référence	Désignation
1	12800	Product hose extension Ø 25 x 20 m - M1" X F1" - JETPRO
1a	13022	Product hose extension Ø 25 x 30 m - M1" x F1" - JETPRO
1b	13309	Product hose extension Ø 25 x 40 m - M1" x F1" - JETPRO
2	12918	JETPRO product hose Ø25 x 40 m F1" x F3/4"
3	12842	Complete 34 m reinforced cable for JETPRO 120 electrical remote control
4	12890	Easy handling product hose Ø 16 x 5 m M3/4" x F1/2" for JETPRO 160, JETBAG