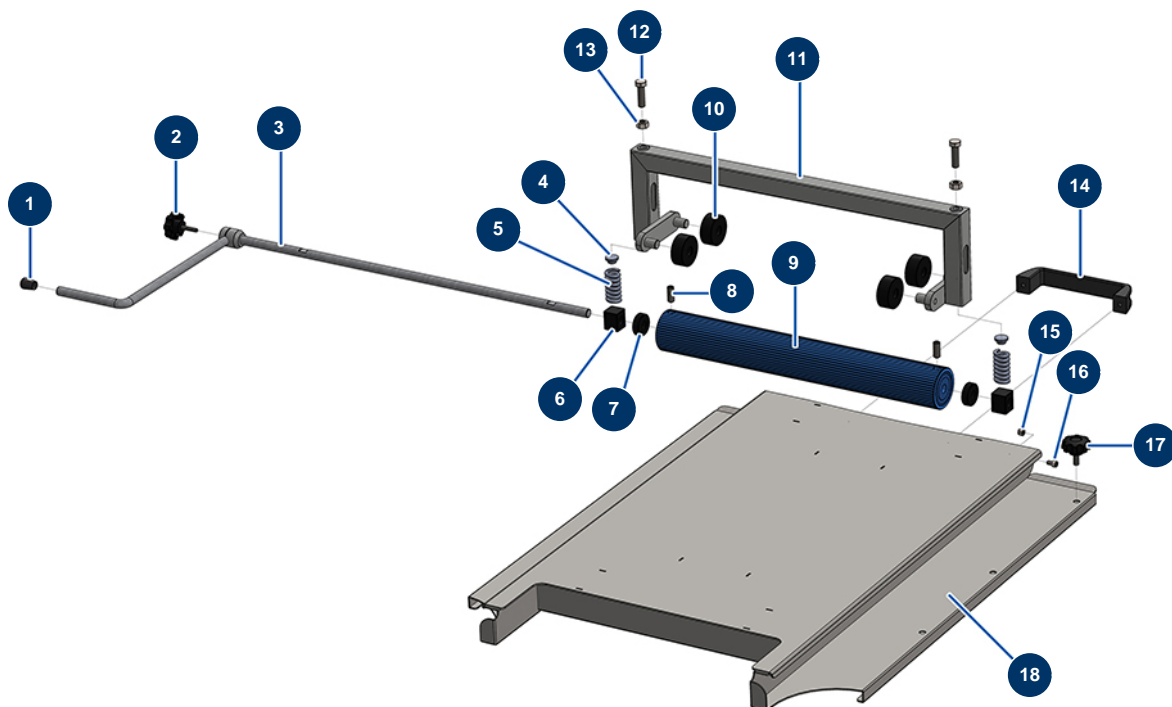


JETPRO 160 bag roller - General view



Détails des pièces

Pos.	Référence	Désignation
1	30327	Black plastic end cap for ø 14 round tube
2	13501	M6 x 30 outer threaded Ø40 plastic thumb wheel - LP/40
3	M07039	
4	10059	Bag roller spring pawl
5	10069	Bag roller stainless steel spring
6	10058	Bag roller drum bearing
7	10053	Slice for bag roller spacer
8	80689	Bag roller drum countersunk head screw
9	90227	4 P and MPE bag roller drum
10	10056	Bag roller caster
11	90226	24P bag roller U-bolt
12	12934	THEF 10 x 35 screw
13	90453	M 10 nut

Pos.	Référence	Désignation
14	1042523	CP 60 grid handle
15	20004	M 6 nylstop nut
16	90798	M6 x 10 cylindrical head screw - CP 60 cylindrical head screw
17	11514	Plastic thumb wheel M8 x 20
18	C21345	18