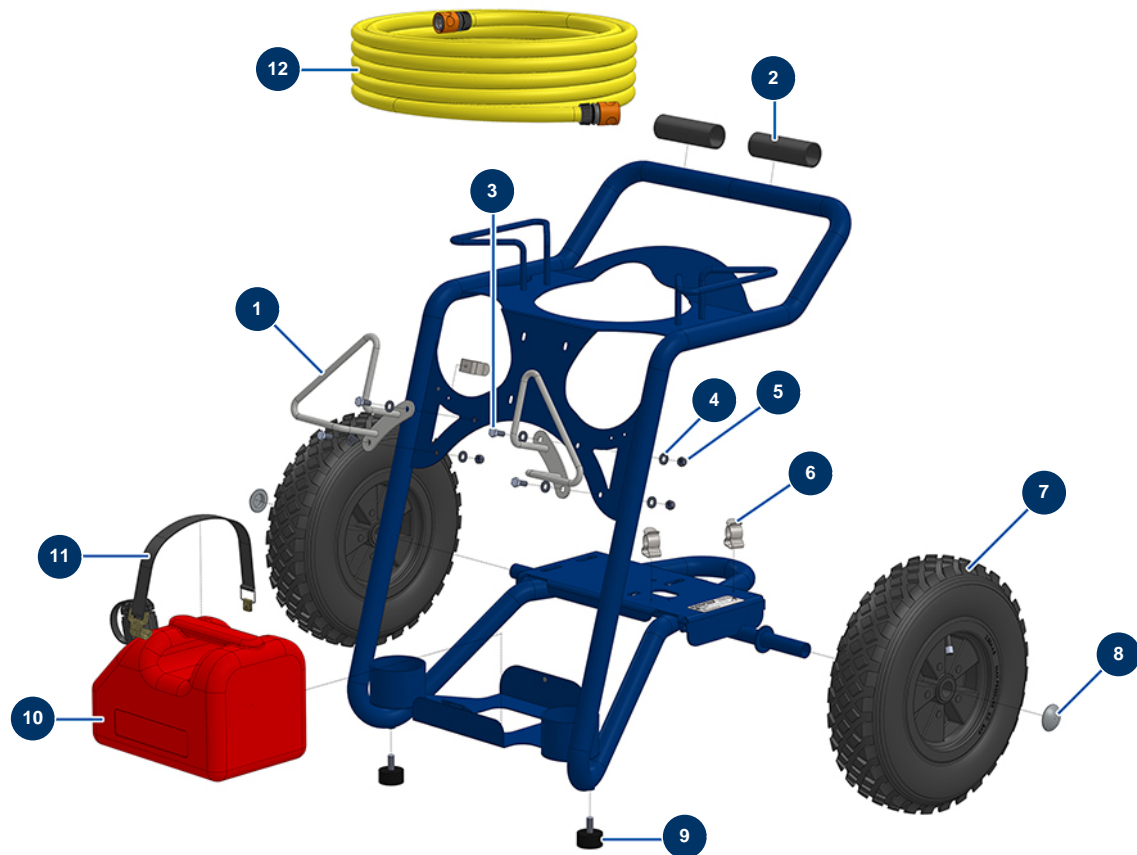


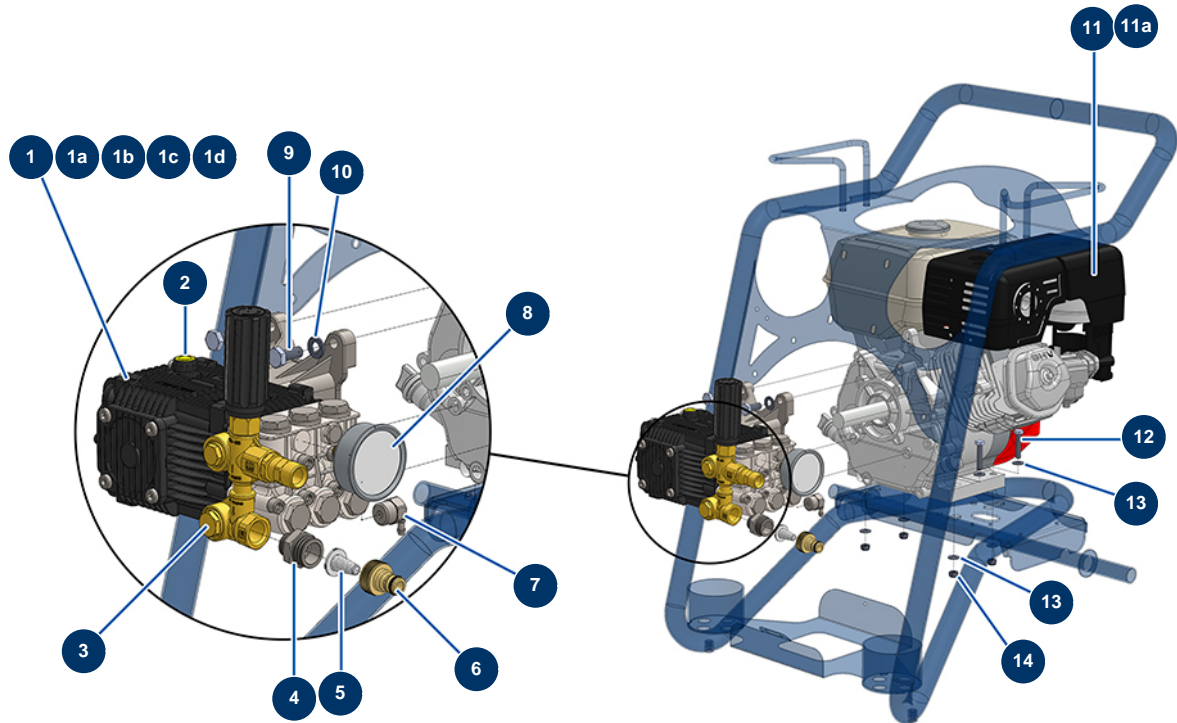
EUROPROLAV 15-250 TH.2 HONDA washer - Chassis



Détails des pièces

Pos.	Référence	Désignation
1	C22563	1
2	11848	PVC granulated split sleeve 120 mm
3	30273	THEF 8 x 20 screw
4	80260	ø 8 inox medium washer
5	13980	M 8 nylstop inox nut
6	80582	Case support spring
7	80003	Ø400 complete wheel with shaft of 25 for 100TH, MPE 300
8	90282	Ø25 chromed clip
9	30145	Ø 40 x 20 M10 stop
10	30418	5L jerry can - hydrocarbons approved
11	1012111	Elastic strap for ARTI 100 trolley
12	11892	Watering hose Ø 19 x 10 m with push-to-fit attachments

EUROPROLAV 15-250 TH.2 HONDA washer - Motorization

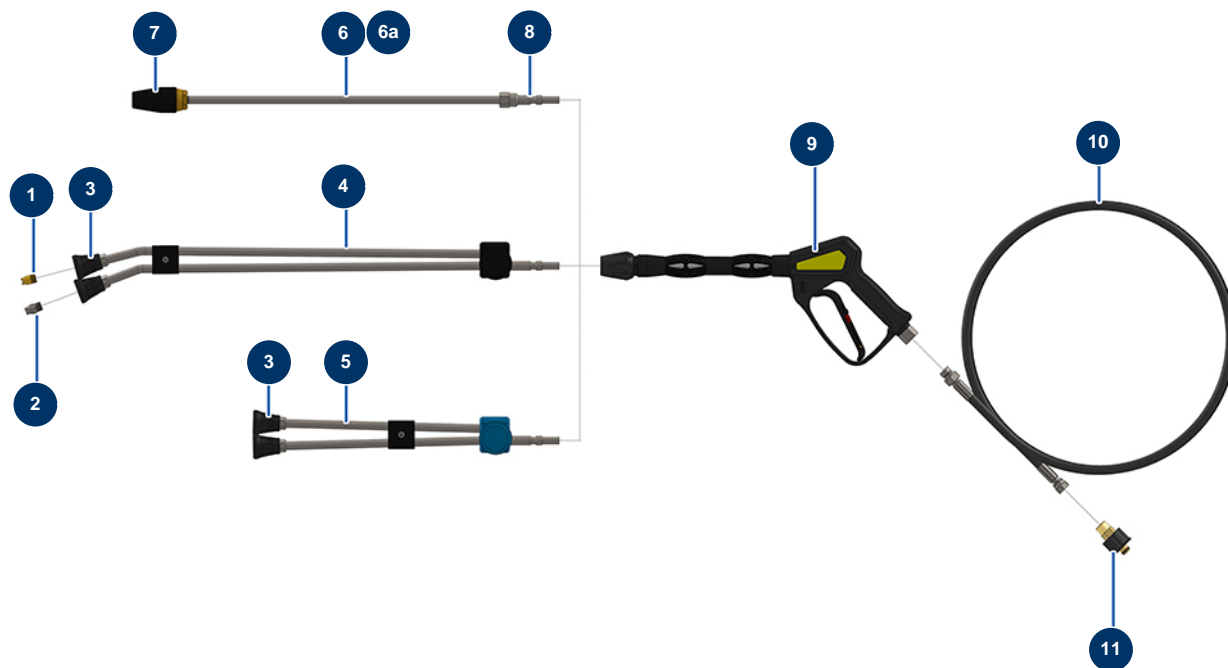


Détails des pièces

Pos.	Référence	Désignation
1	13033	Pump 15 litres 250 bar 3,400 rpm
1a	AN1828	RK 15-250 pump valves kit
1b	AN2757	RK 15-250 & 18-280 pump pistons kit
1c	AN1856	RK 15-250 pump oil seal gaskets kit
1d	AN1857	RK 15-250 & 18-280 pump water seal gaskets kit
2	AN880130	10-130 ECI,12-180, 15-200, 15-230 & 18-200 washer pump oil gauge
3	12041	Integrated return bypass 250 bars
4	11891	1/2" MaleD x 3/4" MaleD low-pressure nipple
5	80128	Filter for 3/4" brass quick connector
6	80124	Inner threaded 3/4" quick connector
7	90295	1/2" thermostatic valve
8	90433	63 mm oil manometer 1/4 conical 0 to 400 bar
9	30257	THEF 10 x 25 screw

Pos.	Référence	Désignation
10	30280	∅ 10 inox narrow washer
11	10037	Petrol motor HONDA GX 390K1 QX-Q4-OH 13 HP
11a	14685	VANGUARD 14 HP thermal motor
12	30250	THEF 8 x 40 screw
13	80260	∅ 8 inox medium washer
14	13980	M 8 nylstop inox nut

EUROPROLAV 15-250 TH.2 HONDA washer - Lance and hose



Détails des pièces

Pos.	Référence	Désignation
1	90307	Low pressure nozzle 50°-40
2	90305	High pressure nozzle 15°-45
3	12415	Double elbow lance hose nozzle holder, 600 mm, KW coupler
4	12166	Double elbow lance hose 600 mm, KW coupler
5	12195	KW coupler 300 mm double lance hose
6	12188	Rotating nozzle for 18-280 with KW coupling
6a	90348	Lance tube without hose 500 mm
7	13639	Rotating nozzle 280 bars 0,40
8	12168	Male coupler KW x 1/4" inner threaded
9	12165	Washer spray-gun with protected hose 310 bars, KW coupler
10	12071	Washer hose Ø 8-315 bar 10 metres
11	90328	M22-150 F x 3/8 M female quick fit attachment