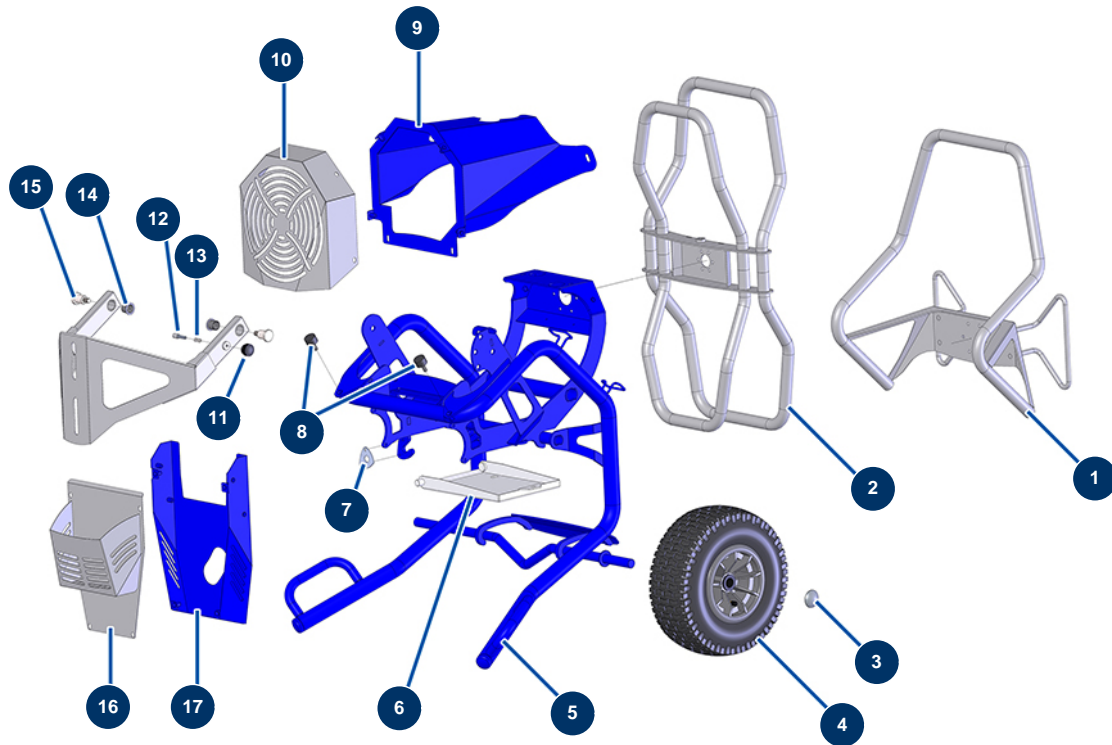


HYDROPRO 800 PREMIUM airless piston pump - Chassis

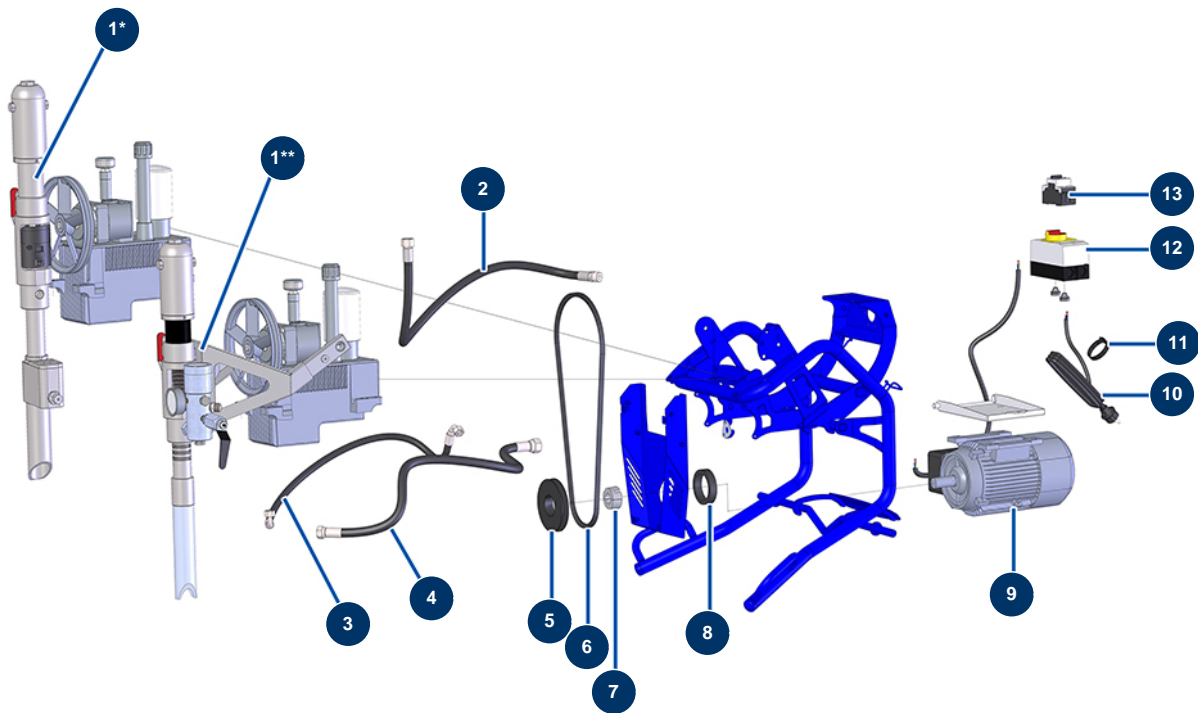


Détails des pièces

Pos.	Référence	Désignation
1	C21843	Hydropro 800 standard arm
2	C21738	Hydropro 800 premium reel arm
3	90281	Ø20 chromed clip
4	12319	Complete wheel 320 with axle of 20
5	C21765	Hydropro 800 frame
6	C21740	Hydropro 800 motor plate
7	C21741	Hydropro 800 motor non-return plate
8	30146	Ø 25 x 15 M8 stop for EUROPRO 4P
9	C21730	Hydropro 800 air baffle
10	C21751	Hydropro 800 Crankcase uper cover
11	20001	EUROPRO 30+,36 and 40 compressor arm button
12	90179	EUROPRO 30+,36 and 40 compressor arm latch
13	60040	Compressor trigger spring

Pos.	Référence	Désignation
14	13845	Bearing with flange 18/20 x 17
15	M10542	Hydropro 800 pump arm pivot pion
16	C21748	Hydropro 800 Crankcase lower cover
17	C21745	Hydropro 800 lower crankcase

HYDROPRO 800 PREMIUM airless piston pump - Hydraulic system



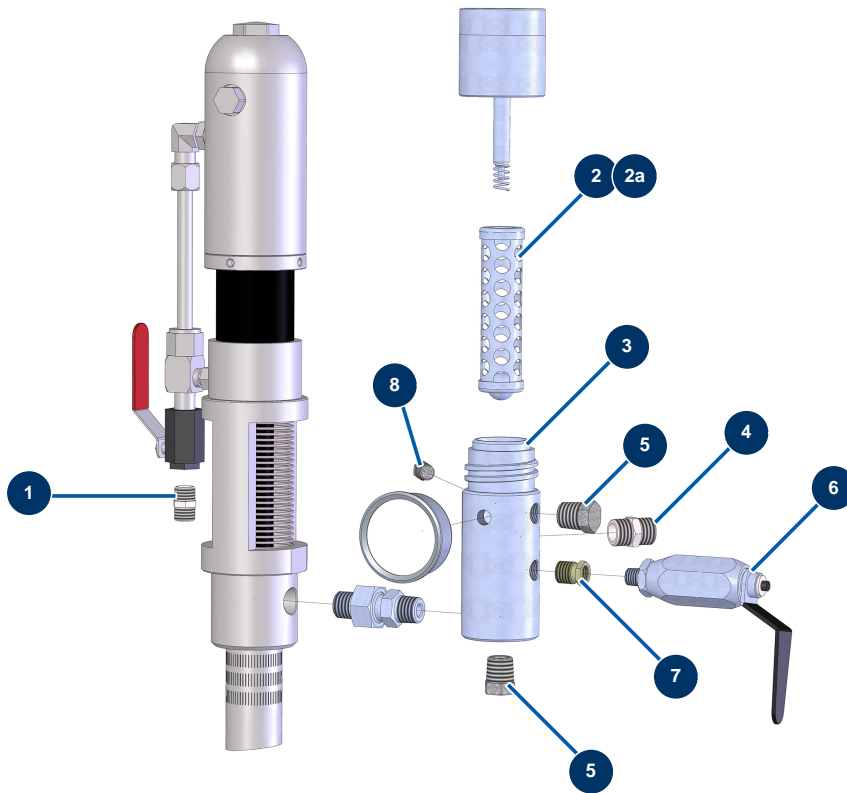
* pour modèles avec SSP / for models with SSP. ** pour modèles sans SSP / for models without SSP.

Détails des pièces

Pos.	Référence	Désignation
1*	W290091	HC-950 OEM SSP piston pump
1**	W290092	HC-950 OEM piston pump
2	13800	HYDROPRO 800 supply flexible hose
3	13801	HYDROPRO 800 return flexible hose
4	13802	Hydropro 800 product flexible hose
5	30370	13mm pulley without hub Ø 130
6	13753	13 SPA 1400 V-belt
7	90762	Removable hub Ø 28 for 1610
8	13966	Hydropro 800 motor shaft protection foam
9	13764	Foot mounted electric motor 3 kW - T100 - B3 - 2800 rpm - 230V
10	90214	Power cable with molded plug 3G 2,5 mm ²
11	12410	Self-gripping collar with loop 12,7 x 228 mm
12	30110	EUROPRO compressor vacuum switch box

Pos.	Référence	Désignation
13	30065	16 to 20 petrol motor circuit-breaker

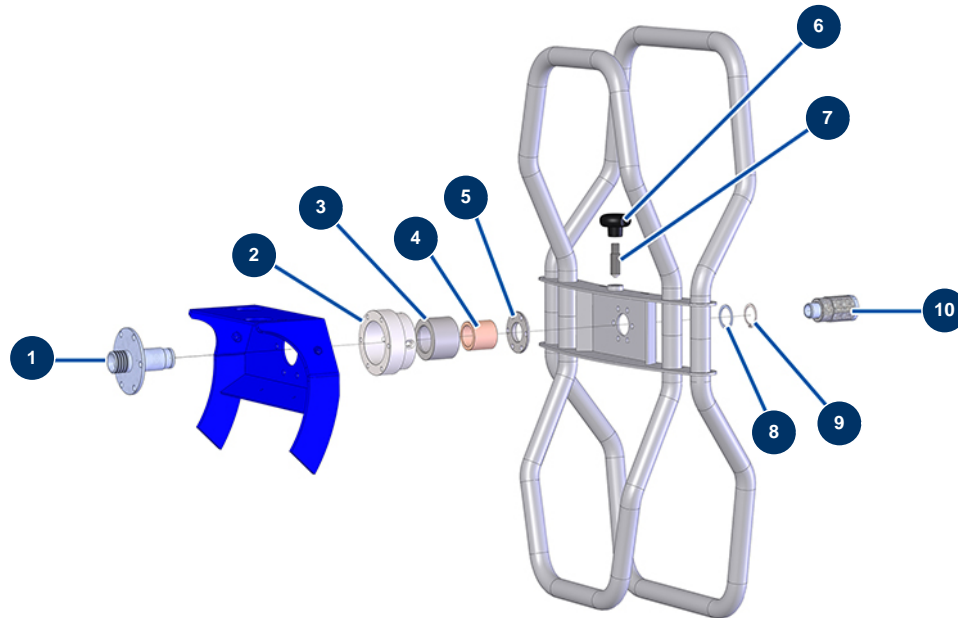
HYDROPRO 800 PREMIUM airless piston pump - Filter



Détails des pièces

Pos.	Référence	Désignation
1	80277	3/8" MaleC x 3/8" MaleC high-pressure nipple
2	15129	50-mesh HYDROLINE pump filter
2a	15130	100-mesh HYDROLINE pump filter
3	40055	Filter body for HYDROPRO 800 PREMIUM
4	80606	1/2" MaleC x 1/2" MaleD high-pressure nipple
5	80607	3/8" high-pressure MaleC plug
6	W944-030A	HC discharge valve
7	13807	3/8" MNPT x 1/4" FNPT high-pressure reduction
8	13808	1/4" high-pressure MNPT conical plug

HYDROPRO 800 PREMIUM airless piston pump - Reel drum



Détails des pièces

Pos.	Référence	Désignation
1	M10538	Handle reel axis Hydropro 800
2	M10537	Hydropro 800 orientation ring
3	M10541	Hydropro 800 ring bearing
4	M10539	Hydropro 800 reel ring
5	M10540	Hydropro 800 supported washer
6	13806	Ø40 inner threaded plastic steering wheel M10
7	M10532	Outer threaded axis blockage reel arm Hydropro 800 Premium
8	C21726	Hydropro 800 wedging washer
9	13847	Ø 24 outer circlip
10	M07046	Revolving coupling with 90° outlet for HYDROPRO