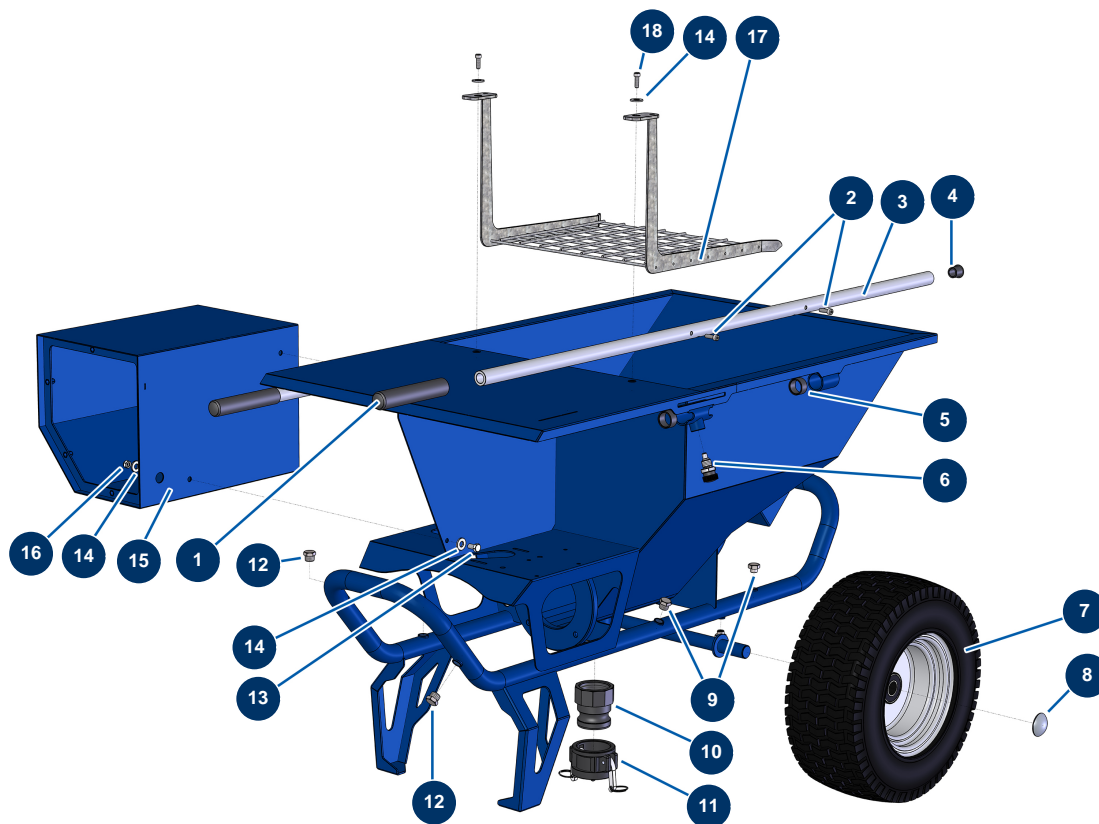


COMPACT-PRO 20 spraying machine - Chassis

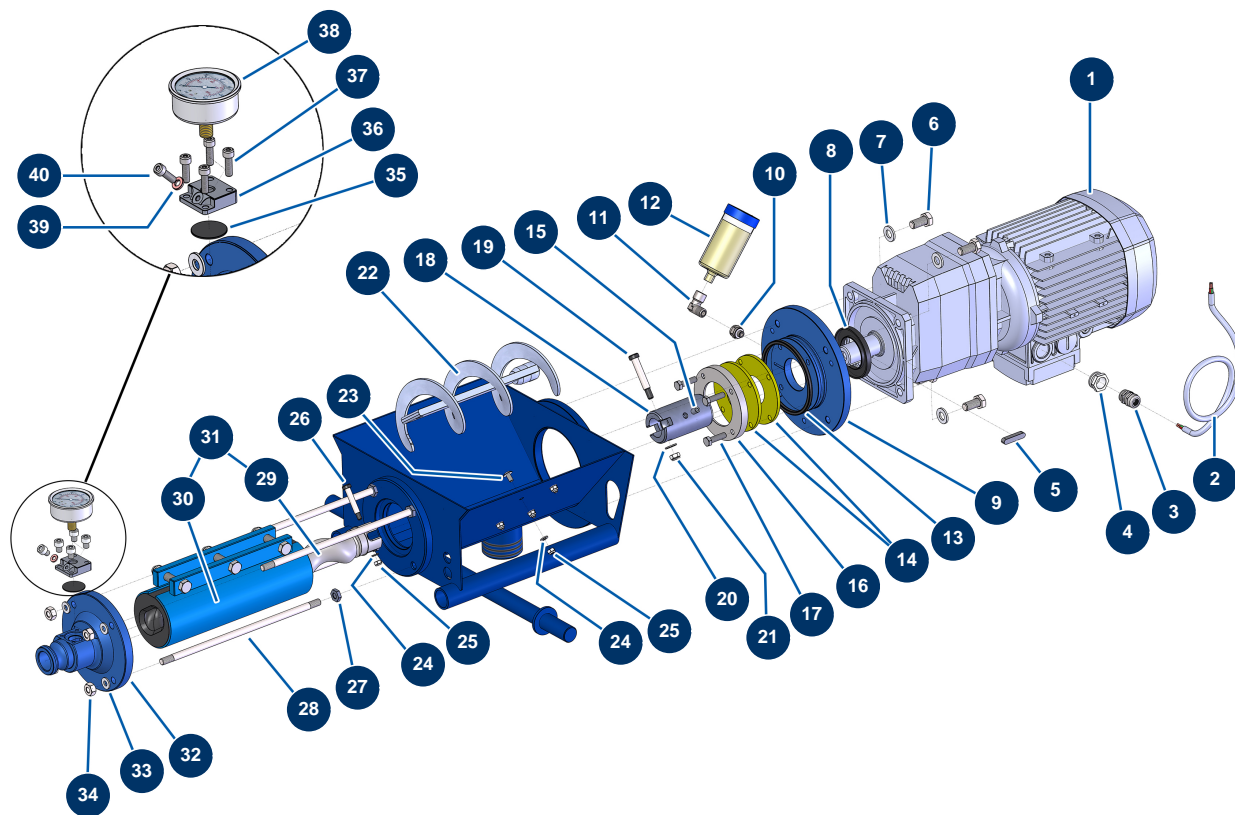


Détails des pièces

Pos.	Référence	Désignation
1	90255	Arm handle for EUROPRO 24P, E50 and E100
2	90151	8 x 10 cylindrical head screw
3	C21327	COMPACT-PRO 30 to 55 machine arm from March 2020
4	90870	Black plastic end cap for ø 25 round tube
5	13453	Cylindrical bearing 26/30 x 16
6	15010	Complete indexing pin for arm
7	80372	Complete Ø410 wheel with bearing - axle of 25
8	90282	Ø25 chromed clip
9	30118	1/4" low-pressure male plug
10	11396	POLYPRO 2" inner threaded adapter for COMPACT-PRO 30
11	11397	POLYPRO 2" female plug with cams for COMPACT-PRO 30
12	90238	3/8" low-pressure male plug
13	30295	THEF 8 x 16 screw

Pos.	Référence	Désignation
14	80260	ø 8 inox medium washer
15	11355	24-M hopper box
16	13980	M 8 nylstop inox nut
17	11379	COMPACT-PRO 30, 35, 40 & 50 machine safety grid
18	80470	8 x 20 cylindrical head screw

COMPACT-PRO 20 spraying machine - Transmission



Détails des pièces

Pos.	Référence	Désignation
1	12059	Geared motor 1,5 kW - TC322 - R18,1 - 1400 rpm - 400V
2	90606	Shielded cable 4 x 1,5 by the metre
3	30082	Nickel plated watertight cable gland of 11
4	80446	Cable gland reduction M 25-11
5	11999	8 x 7 x 40 parallel key with round end
6	12251	THEF 12 x 25 screw
7	30281	ø 12 inox narrow washer
8	70107	Spi seal 50 x 80 x 8 for 24P,24PT, MPE300, COMPACT-PRO 30
9	11334	Motor spacer flange for COMPACT-PRO
10	10899	1/8" MaleD x 1/4" FemaleD low-pressure nipple
11	30121	90° low-pressure elbow 1/4 MaleC x 1/4 FemaleD
12	90639	Automatic greaser
13	11337	COMPACT-PRO 30 4-lobes seal for motor spacer flange

Pos.	Référence	Désignation
14	11300	COMPACT-PRO 30 tank base gasket
15	11360	Socket head screw M 8 x 16
16	M10190	COMPACT-PRO 30 gasket support ring
17	30205	THEF 8 x 30 screw
18	11336	Drive shaft for CP 20, 30 & 40
19	11359	CP 30 transmission shaft screw pin
20	80260	ø 8 inox medium washer
21	13980	M 8 nylstop inox nut
22	11357	CP 30 to 50 connecting rod
23	14089	23
24	70087	ø 6 inox narrow washer
25	14217	M 6 nylstop inox nut
26	90520	CP 30 rotor screw pin
27	10140	M10 flat nut
28	60010	Fastening tie rod for MAP 5/6
29	MI7009107300	EUROPRO MAP 5/6 pump rotor CP30-type head
30	MI3F00529400	EUROPRO MAP 6 D8-1,5 adjustable pump stator
31	30446	EUROPRO MAP 6 pump rotor/stator kit
32	90125	EUROPRO 24 P and COMPACT-PRO 30 stator flange
33	80261	ø 10 inox medium washer
34	13978	M10 inox nut
35	MI4920006000	Membrane
36	M10079	MIXPRO 14 cage cover
37	90996	6 x 20 inox cylindrical head screw
38	80070	Axial manometer 1/4" conical oil 50 mm 0 to 60 bar
39	12765	Copper seal for JETPRO 80 pump nose
40	12625	6 x 8 cylindrical head screw