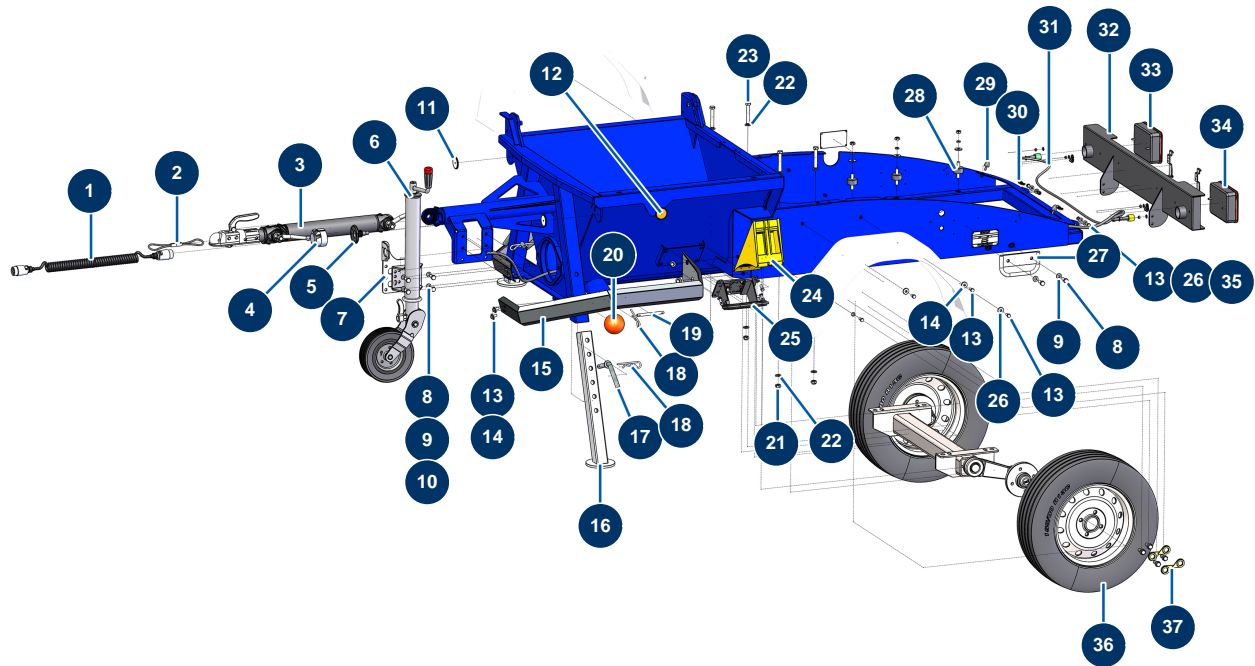


## X-PRO D140 liquid screed machine - Chassis

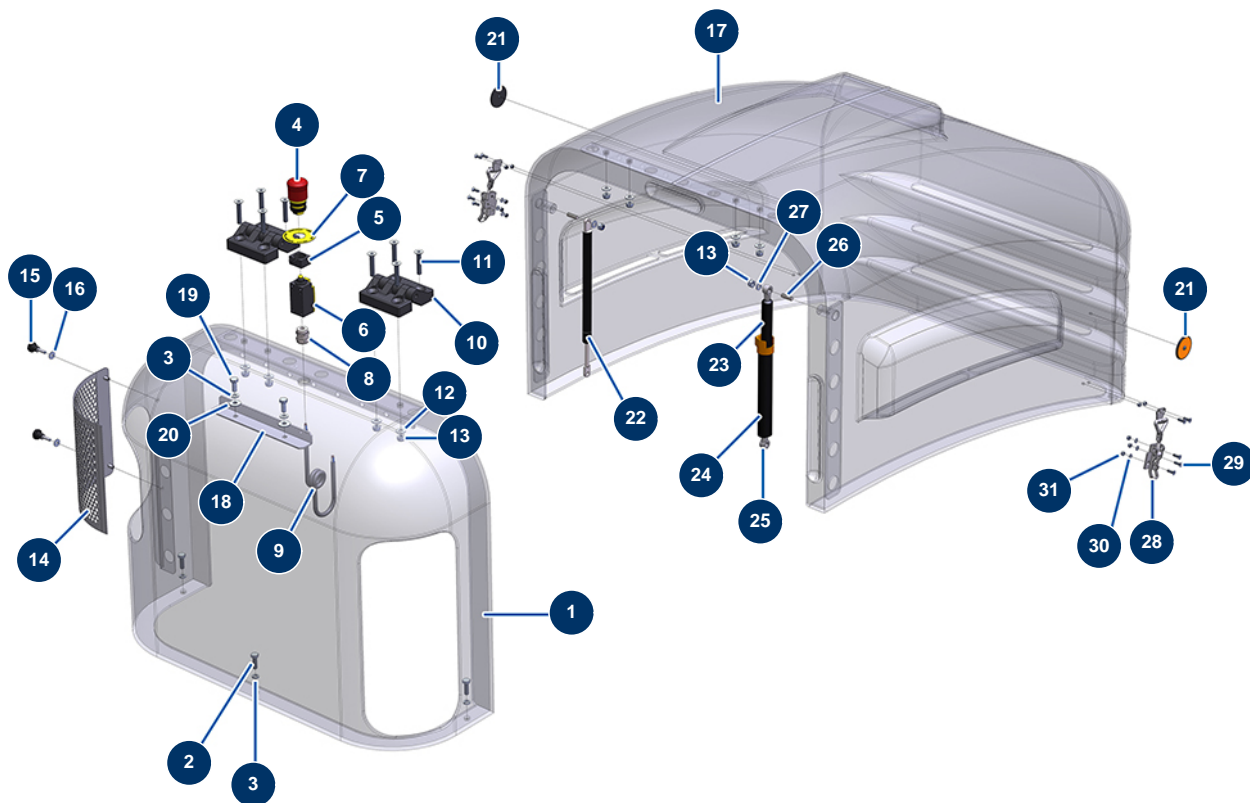


### Détails des pièces

Pos.	Référence	Désignation
1	13284	7-pin metal male sockets 2.5 m x 2 spiral extender - C.P 60
2	14326	Headstock safety cable AK160 ø 50 nut PA - CP 60
3	20209	Axle + complete drawbar X-PRO D140
4	13282	Lighting metal 7-pin female socket - C.P 60
5	13283	Lighting metal 7-pin female socket foam rubber gasket - C.P 60
6	20210	ø 60 automatic jokey wheel X-PRO D140
7	C23063	7
8	30258	THEF 10 x 30 screw
9	30280	ø 10 inox narrow washer
10	60013	M 10 nylstop nut
11	12362	Round & white reflector - C.P 60
12	12361	Round & orange reflector - C.P 60
13	30273	THEF 8 x 20 screw

Pos.	Référence	Désignation
14	30292	ø 8 inox large washer
15	C23024	15
16	C23023	16
17	20236	Support leg pin X-PRO D
18	20046	4 mm R pin
19	20060	
20	20048	Cleaning ball ø 100
21	10051	M 12 nylstop nut
22	30294	ø 12 inox large washer
23	12442	12 x 80 THPF screw
24	20213	X-PRO D140 yellow plastic wheel chock
25	20214	X-PRO black wheel chock holder
26	30256	ø 8 inox narrow washer
27	C20976	Chassis docking support CP 60 version 7.13
28	30150	Silentbloc ø 40 x 20 M10
29	14216	ø 20 x 24 M6 conical stop
30	20231	30
31	12801	Complete lighting wiring harness 3.5 m - C.P 60
32	C22019	CP60 2017 light plate chassis
33	12803	Complete right rear lights - C.P 60
34	12802	Complete left rear lights - C.P 60
35	13980	M 8 nylstop inox nut
36	20211	Complete wheel 155/80R13 PCD 98x4 X-PRO D140
37	14645	

## X-PRO D140 liquid screed machine - Bodywork

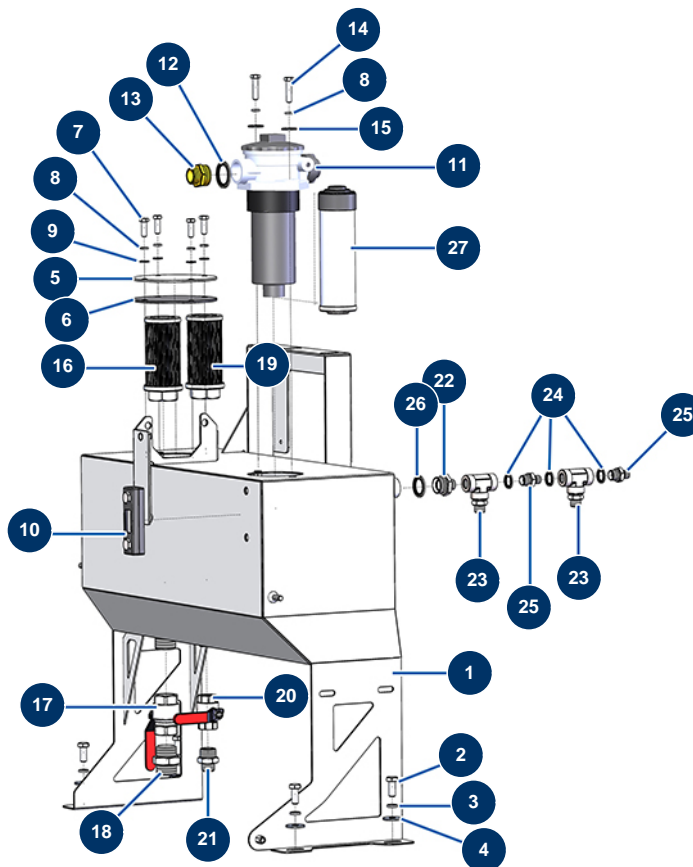


### Détails des pièces

Pos.	Référence	Désignation
1	14413	CP 60, 70, 80 & 120 small model fixed bonnet
2	11544	THEF 8 x 25 screw
3	80269	Grower washer ø 8
4	90727	Hook emergency stop button - CP 60
5	12664	Security switch adapter / emergency stop button - C.P 60
6	12663	Push safety switch - C.P. 60
7	12824	Round sticker "Emergency stop" for CP 60
8	80448	M 20 waterproof cable gland
9	11973	Electrical cable H05VVf 2x1 / sold by the meter
10	12797	Hood hinge - C.P 60
11	13620	8 x 45 countersunk head screw
12	12451	
13	90127	M 8 nylstop nut

Pos.	Référence	Désignation
14	C20986	CP 60 hood removable lateral grid
15	12396	Plastic thumb wheel M5 x 20
16	30290	∅ 5 large washer
17	14412	CP 60, 70, 80 & 120 large model mobile bonnet
18	C20866	Removable angle for hood reinforcement CP60 V17
19	30273	THEF 8 x 20 screw
20	30292	∅ 8 inox large washer
21	12361	Round & orange reflector - C.P 60
22	80209	Mobile hood gas spring - C.P 60
23	13239	∅ 10 gas spring for CP 60 movable cover
24	14580	
25	13240	
26	12846	M8 x 25 stud bolt
27	30256	∅ 8 inox narrow washer
28	13111	Large hood locking adjustable locking clamp - C.P 60
29	90130	5 x 16 countersunk head screw
30	70085	∅ 5 narrow washer
31	70086	M 5 nylstop inox nut

## X-PRO D140 liquid screed machine - Hydraulic tank

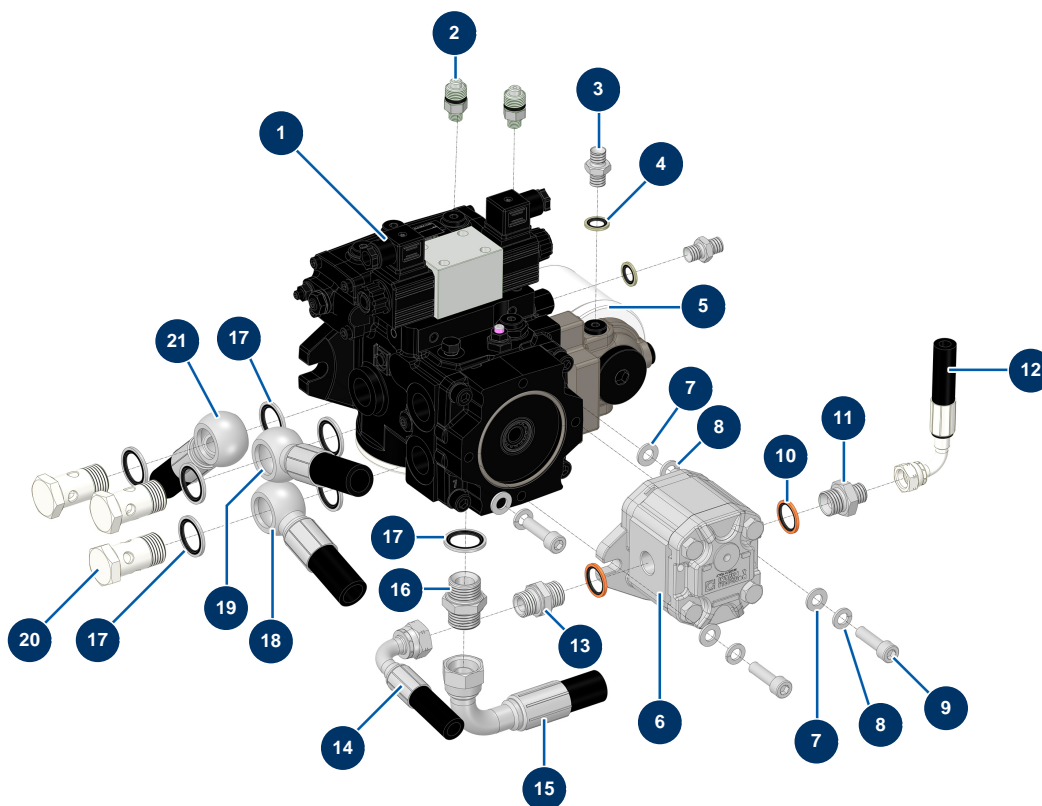


### Détails des pièces

Pos.	Référence	Désignation
1	C23013	1
2	30257	THEF 10 x 25 screw
3	80270	Grower washer ø 10
4	30293	ø 10 inox large washer
5	C20659	Tank cover
6	12780	Hydraulic tank gasket Ø 140 Thickness 3 mm - C.P 60
7	11544	THEF 8 x 25 screw
8	80269	Grower washer ø 8
9	30256	ø 8 inox narrow washer
10	12326	Visual level of hydraulic tank - CP 60
11	12327	Hydraulic oil return complete filter - JET 750
12	12572	Steel gasket for 1" hollow screw with lip
13	12569	3/4" MaleD x 1" MaleD high-pressure nipple

Pos.	Référence	Désignation
14	11545	THEF 8 x 35 inox screw
15	30292	ø 8 inox large washer
16	12328	1" inner threaded suction strainer - JET 750 & C.P 60
17	70031	Drain valve for EUROPRO 4-6-8-14 P, MPE, AG, 7000z, 9000z
18	12568	1" MaleD x 1" MaleD high-pressure nipple
19	14679	3/4" inner threaded suction strainer - CP 60
20	11382	Red handle valve F3/4" x F3/4"
21	12733	1/2" MaleD x 3/4" MaleD high-pressure nipple
22	20166	3/8" MaleD x 3/4" MaleD high-pressure nipple
23	20104	3/8" MaleD x 3/8" MaleD x 3/8" revolving Female high-pressure T
24	91031	Steel gasket for hollow screw with 3/8 lip
25	80276	3/8" MaleD x 3/8" MaleC high-pressure nipple
26	12573	Steel gasket for 3/4" hollow screw with lip
27	12351	Return filter cartridge - C.P 60

## X-PRO D140 liquid screed machine - Hydraulic pump

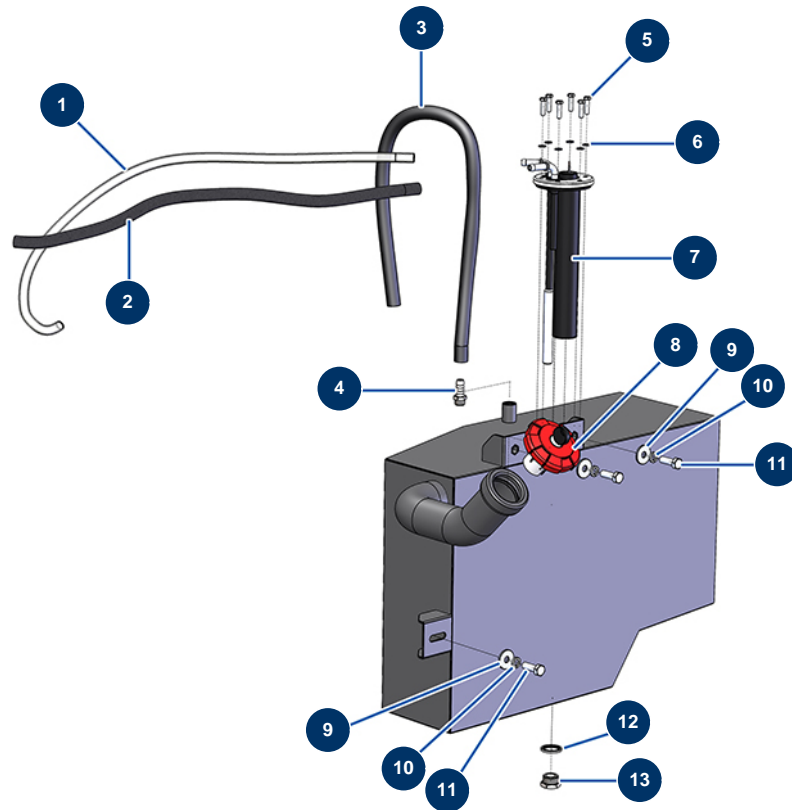


### Détails des pièces

Pos.	Référence	Désignation
1	20026	1
2	20123	
3	90703	1/4" MaleD x 1/4" MaleD high-pressure nipple
4	91016	Steel gasket for hollow screw with 1/4 lip
5	15054	
6	20027	
7	30280	ø 10 inox narrow washer
8	80270	Grower washer ø 10
9	12521	10 x 35 cylindrical head screw
10	91030	1/2 copper gasket for hollow screw
11	90872	1/2" MaleD x 3/8" MaleD high-pressure nipple
12	20184	
13	90627	1/2" MaleD x 1/2" MaleD high-pressure nipple

Pos.	Référence	Désignation
14	20183	
15	20521	
16	90774	3/4" MaleD x 3/4" MaleD high-pressure nipple
17	12573	Steel gasket for 3/4" hollow screw with lip
18	20195	
19	20194	
20	13307	3/4 HP drilled head screw
21	20192	

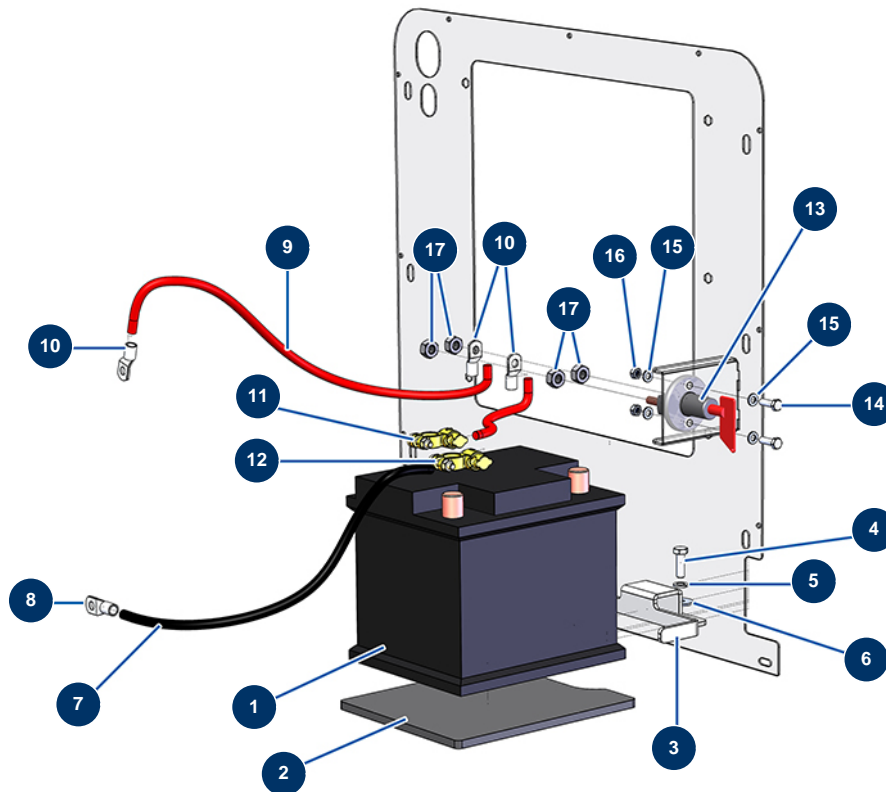
## X-PRO D140 liquid screed machine - Fuel tank



### Détails des pièces

Pos.	Référence	Désignation
1	12390	Gasoil return hose Ø 6 mm (sold by the metre)
2	12391	Gasoil supply hose Ø 7,5 mm (sold by the metre)
3	50021	Paint hose Ø 10 x 18 by the metre
4	80094	1/4" corrugated outer threaded coupling Ø 10
5	20365	THEF 5 x 20 screw
6	70085	ø 5 narrow washer
7	20241	Gasoil level gauge - length 350 mm - X-PRO D
8	13107	Red diesel tank cap with key - C.P 60
9	30292	ø 8 inox large washer
10	80269	Grower washer ø 8
11	11544	THEF 8 x 25 screw
12	91032	Steel gasket for hollow screw with 1/2" lip
13	90239	1/2" low-pressure male plug

## X-PRO D140 liquid screed machine - Battery

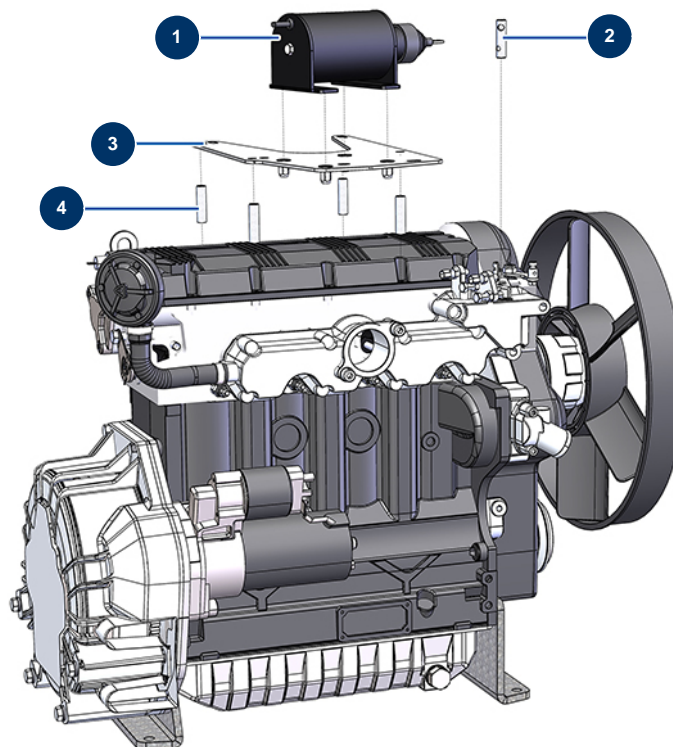


### Détails des pièces

Pos.	Référence	Désignation
1	80188	C.P 60 battery
2	14168	
3	C20652	3
4	11544	THEF 8 x 25 screw
5	80269	Grower washer ø 8
6	30292	ø 8 inox large washer
7	20234	35 mm <sup>2</sup> black battery cable by the metre
8	20250	Solder lug on 35 mm <sup>2</sup> wire with ø 12 hole
9	20233	35 mm <sup>2</sup> red battery cable by the metre
10	20249	Solder lug on 35 mm <sup>2</sup> wire with ø 8 hole
11	14572	Self-clamping battery terminal + red
12	14573	Self-clamping battery terminal - blue
13	12394	CP 60 battery circuit breaker

Pos.	Référence	Désignation
14	14539	THEF 6 x 20 screw
15	30256	∅ 8 inox narrow washer
16	20004	M 6 nylstop nut
17	90453	M 10 nut

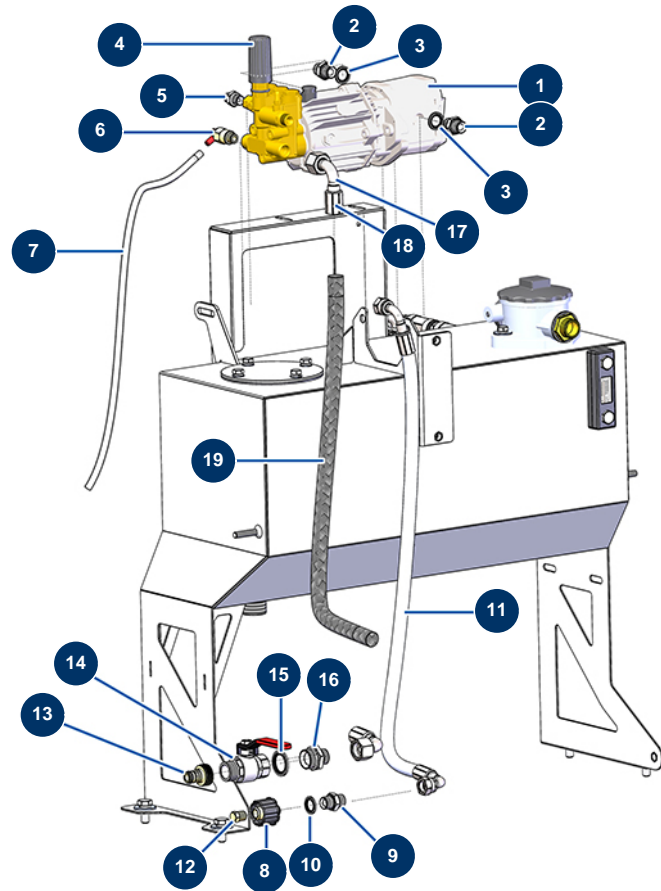
## X-PRO D140 liquid screed machine - Automatic accelerator



### Détails des pièces

Pos.	Référence	Désignation
1	80250	Electric automatic accelerator
2	M20007	Automatic electric gas pedal axis X-PROD machine
3	C22037	
4	M20006	

## X-PRO D140 liquid screed machine - High Pressure Washer

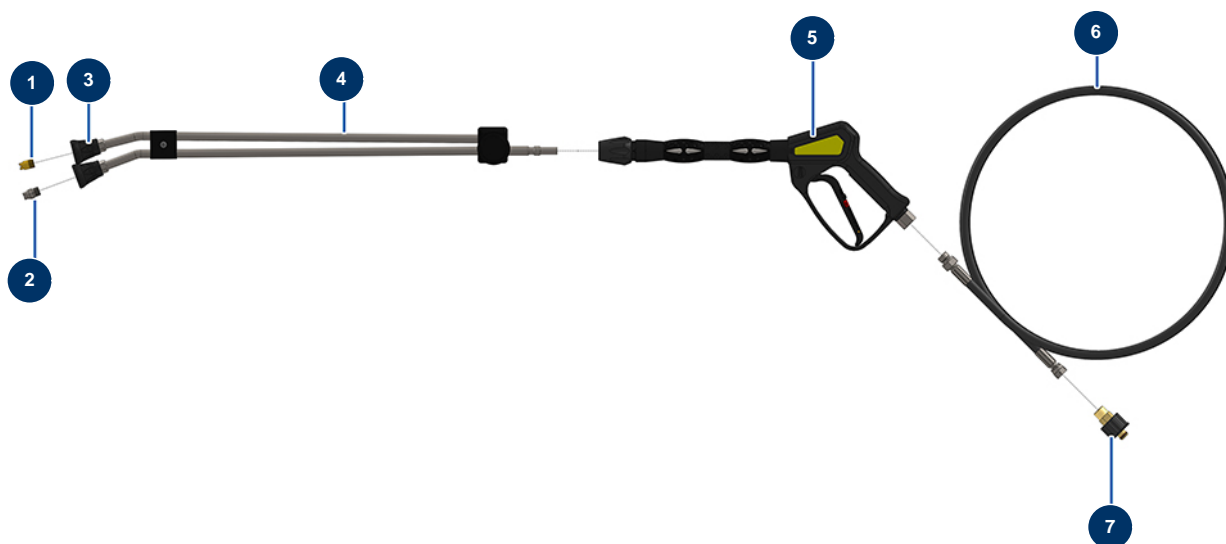


### Détails des pièces

Pos.	Référence	Désignation
1	12406	Washer 6 cc single-direction hydraulic motor - CP 60
2	90872	1/2" MaleD x 3/8" MaleD high-pressure nipple
3	91032	Steel gasket for hollow screw with 1/2" lip
4	90352	Pump 11 litres 140 bar - C.P 60
5	20123	
6	13101	1/4" thermostatic valve
7	20235	7
8	90326	M22-150 x 1/4 F female C quick fit attachment
9	80276	3/8" MaleD x 3/8" MaleC high-pressure nipple
10	91031	Steel gasket for hollow screw with 3/8 lip
11	20226	Washer outlet to chassis hose with 90° couplings for D140
12	90842	1/4" high-pressure MaleC plug
13	80124	Inner threaded 3/4" quick connector

Pos.	Référence	Désignation
14	90012	Red handle valve M3/4" x F3/4"
15	12573	Steel gasket for 3/4" hollow screw with lip
16	12733	1/2" MaleD x 3/4" MaleD high-pressure nipple
17	10195	
18	10210	19 MAS sleeve
19	10229	ø 12 galvanised braided hose

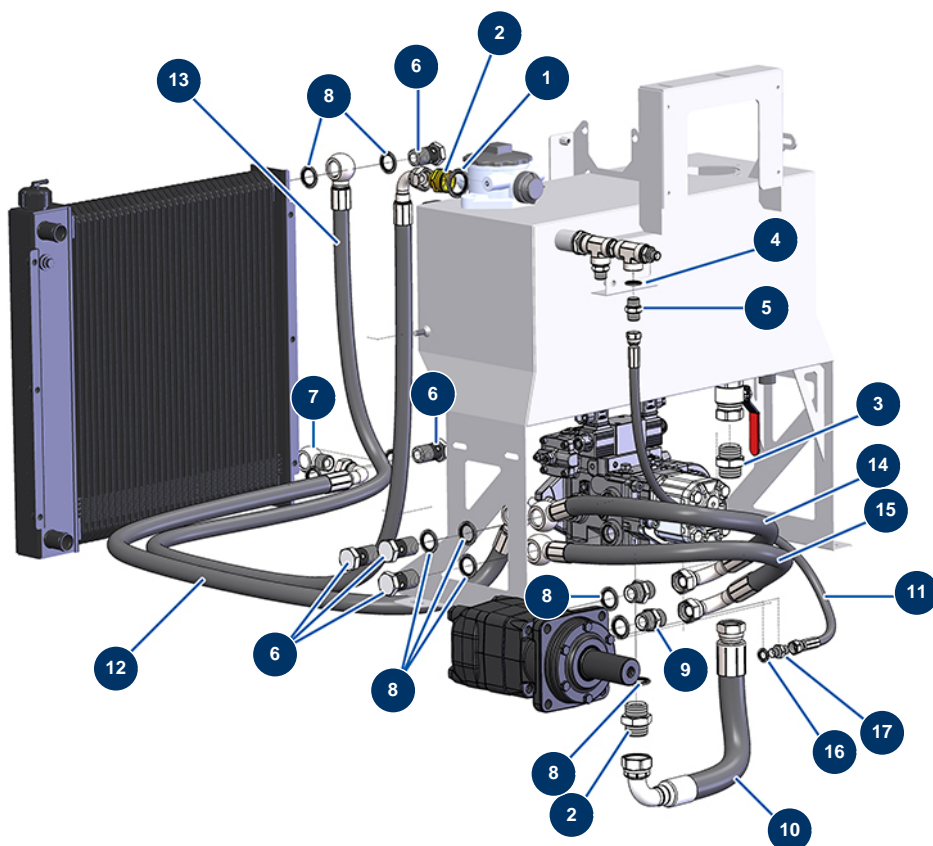
## X-PRO D140 liquid screed machine - High pressure washer lance



### Détails des pièces

Pos.	Référence	Désignation
1	90307	Low pressure nozzle 50°-40
2	90304	High pressure nozzle 15°-40
3	12415	Double elbow lance hose nozzle holder, 600 mm, KW coupler
4	12166	Double elbow lance hose 600 mm, KW coupler
5	12165	Washer spray-gun with protected hose 310 bars, KW coupler
6	12071	Washer hose Ø 8-315 bar 10 metres
7	90328	M22-150 F x 3/8 M female quick fit attachment

## X-PRO D140 liquid screed machine - Hoses for pump, radiator, motor

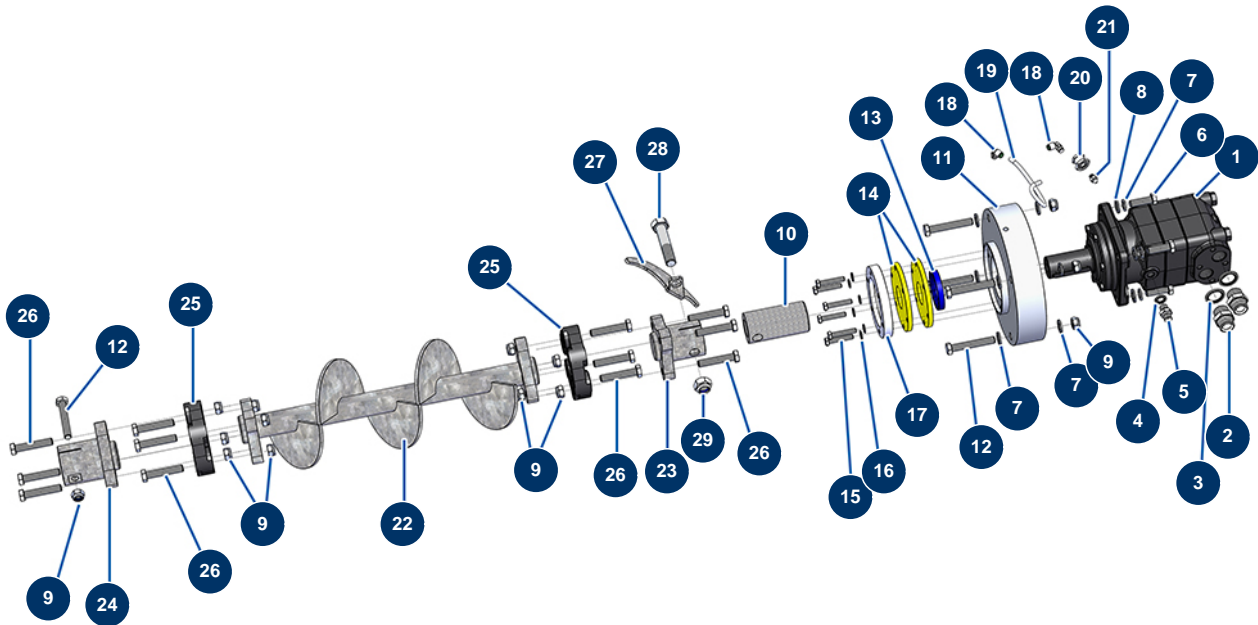


### Détails des pièces

Pos.	Référence	Désignation
1	12572	Steel gasket for 1" hollow screw with lip
2	12569	3/4" MaleD x 1" MaleD high-pressure nipple
3	12568	1" MaleD x 1" MaleD high-pressure nipple
4	91031	Steel gasket for hollow screw with 3/8 lip
5	80276	3/8" MaleD x 3/8" MaleC high-pressure nipple
6	13307	3/4 HP drilled head screw
7	20168	3/4" banjo threaded 3/4"
8	12573	Steel gasket for 3/4" hollow screw with lip
9	90774	3/4" MaleD x 3/4" MaleD high-pressure nipple
10	20190	
11	20225	Hydraulic motor to hydraulic tank return hose for D140
12	20192	
13	20193	

Pos.	Référence	Désignation
14	20194	
15	20195	
16	91016	Steel gasket for hollow screw with 1/4 lip
17	90703	1/4" MaleD x 1/4" MaleD high-pressure nipple

## X-PRO D140 liquid screed machine - Transmission

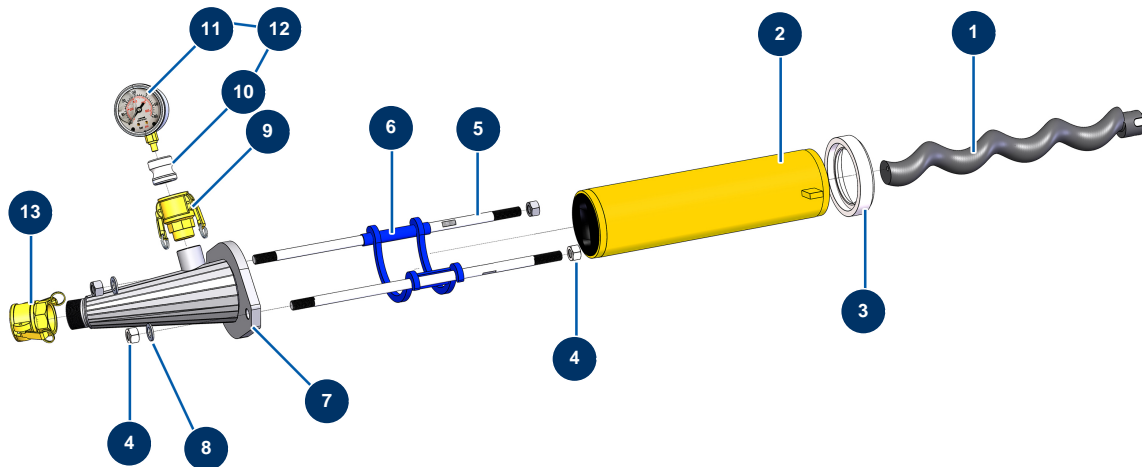


### Détails des pièces

Pos.	Référence	Désignation
1	20206	OMT 250 X-PRO D140 hydraulic motor
2	90774	3/4" MaleD x 3/4" MaleD high-pressure nipple
3	12573	Steel gasket for 3/4" hollow screw with lip
4	91016	Steel gasket for hollow screw with 1/4 lip
5	90703	1/4" MaleD x 1/4" MaleD high-pressure nipple
6	12928	THEF 12 x 40 screw
7	30281	ø 12 inox narrow washer
8	12462	Grower washer ø 12
9	10051	M 12 nylstop nut
10	20056	X-PRO 140, 200 & CP 100 drive shaft
11	20207	OMT 250 X-PRO D140 hydraulic motor flange
12	20047	THPF screw 12 x 80 raw steel 12.9
13	20042	Spi seal 55 x 72 x 10

Pos.	Référence	Désignation
14	20058	X-PRO machine tank bottom gasket
15	11798	THEF 8 x 45 screw
16	30256	∅ 8 inox narrow washer
17	20059	X-PRO machine seal flange
18	30124	Corrugated Legris coupling M1/8" Ø 6
19	30403	Calibrated polyurethane tube ∅ 4 x 6 black by the metre
20	20159	
21	20044	1/8" M straight lubricator
22	20054	X-PRO D140, CP 55 & 100 tank bottom drive shaft
23	20053	X-PRO machine motor coupling
24	20055	X-PRO machine rotor coupling
25	14661	Transmission shaft elastic coupling - X-PRO D140
26	20038	12 x 65 THPF screw
27	C22881	
28	20040	18 x 100 THPF screw
29	20039	M 18 nylstop nut

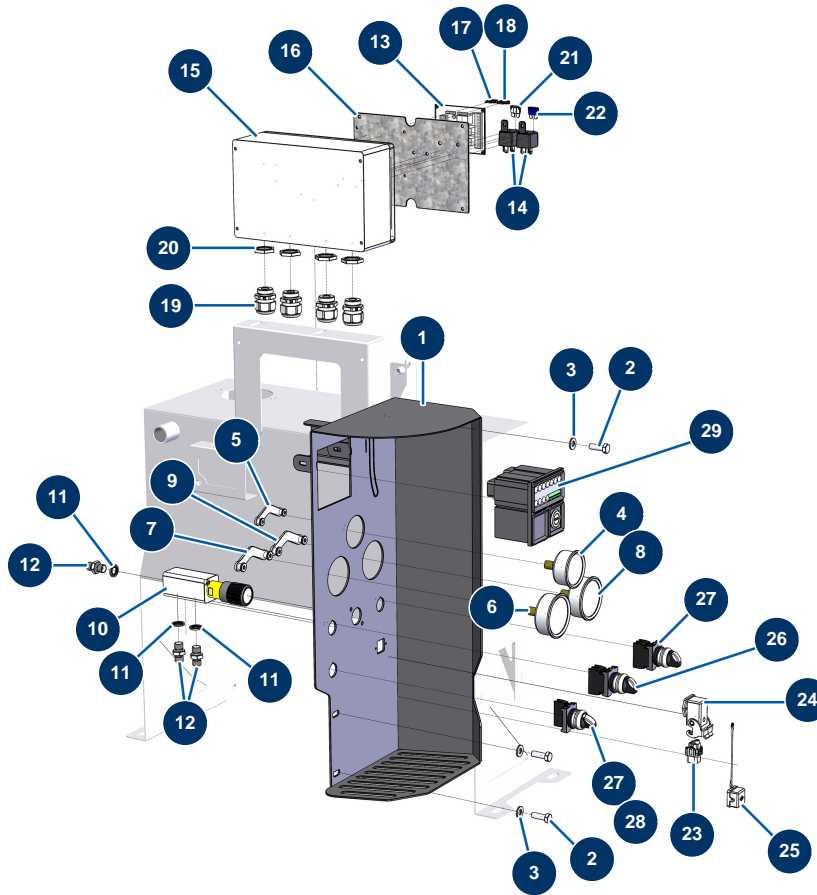
## X-PRO D140 liquid screed machine - Pump



### Détails des pièces

Pos.	Référence	Désignation
1	MI7009200000	MIXER 60R12 pump rotor
2	MI3F00508400	MIXER 60R12 SX pump stator with anti-rotation
3	20061	
4	12473	M 20 nut
5	M10281	595 mm fastening tie rod for CP 60
6	C22875	6
7	C23089	
8	10141	ø 20 inox narrow washer
9	20070	1"1/4 camlock steel coupling, outer threaded 1"1/4
10	20062	X-PRO machine manometer adapter
11	20154	Oil radial manometer 1/2" conical 100 mm - 0 to 60 bar
12	20173	
13	12364	2" camlock steel coupling, inner threaded 2" - CP 60

## X-PRO D140 liquid screed machine - Control panel

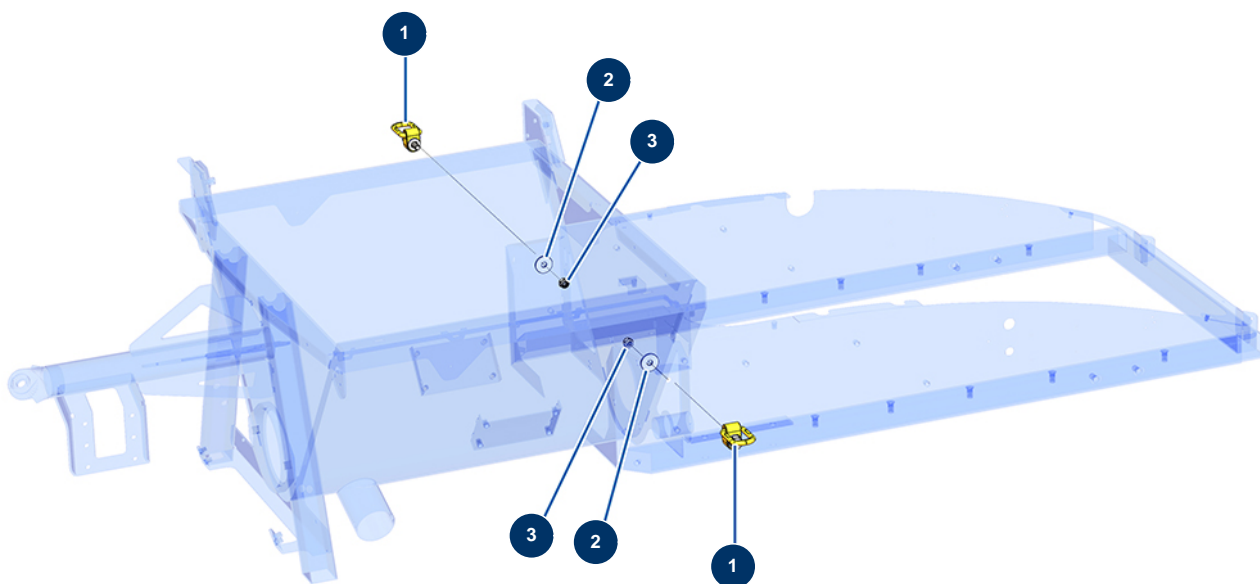


### Détails des pièces

Pos.	Référence	Désignation
1	C23015	1
2	11544	THEF 8 x 25 screw
3	30292	ø 8 inox large washer
4	20198	50 mm axial manometer 1/4" cylindrical - 0 to 160 bar
5	20199	Fixing U-blot for manometer Ø 50
6	13207	Cylindrical 1/4 axial manometer 63 mm 0 to 250 bar - C.P 60
7	80195	Fixing U-blot for manometer Ø 63
8	20227	Cylindrical 1/4" axial manometer 63 mm 0 to 25 bar - X-PRO D
9	20258	
10	20028	M4PV37 pump 2-16 bar pressure regulator
11	91016	Steel gasket for hollow screw with 1/4 lip
12	90703	1/4" MaleD x 1/4" MaleD high-pressure nipple
13	12988	Safety electronic card - C.P 60

Pos.	Référence	Désignation
14	20378	Relay 12V DC with fuse
15	20228	250 x 160 x 90 plastic box with transparent lid
16	20229	
17	13079	Standard US 2A fuse - CP 60
18	13080	Standard US 5A fuse - CP 60
19	20043	M 25 grey plastic cable gland
20	20050	M 25 cable gland nut
21	20251	US 15A standard fuse
22	20252	US 25A standard fuse
23	11914	Female insert 4p + G
24	12543	Insulating bend socket base 3p + G - 1 lever
25	12535	2 PIV cover with MIXPRO 14 gasket
26	11338	COMPACT-PRO complete REVERSE-AUTO-MANU button
27	11339	Complete START-STOP button for COMPACT-PRO 30 compressor
28	30028	Green single closed contact
29	30882	CP 60 petrol engine command panel

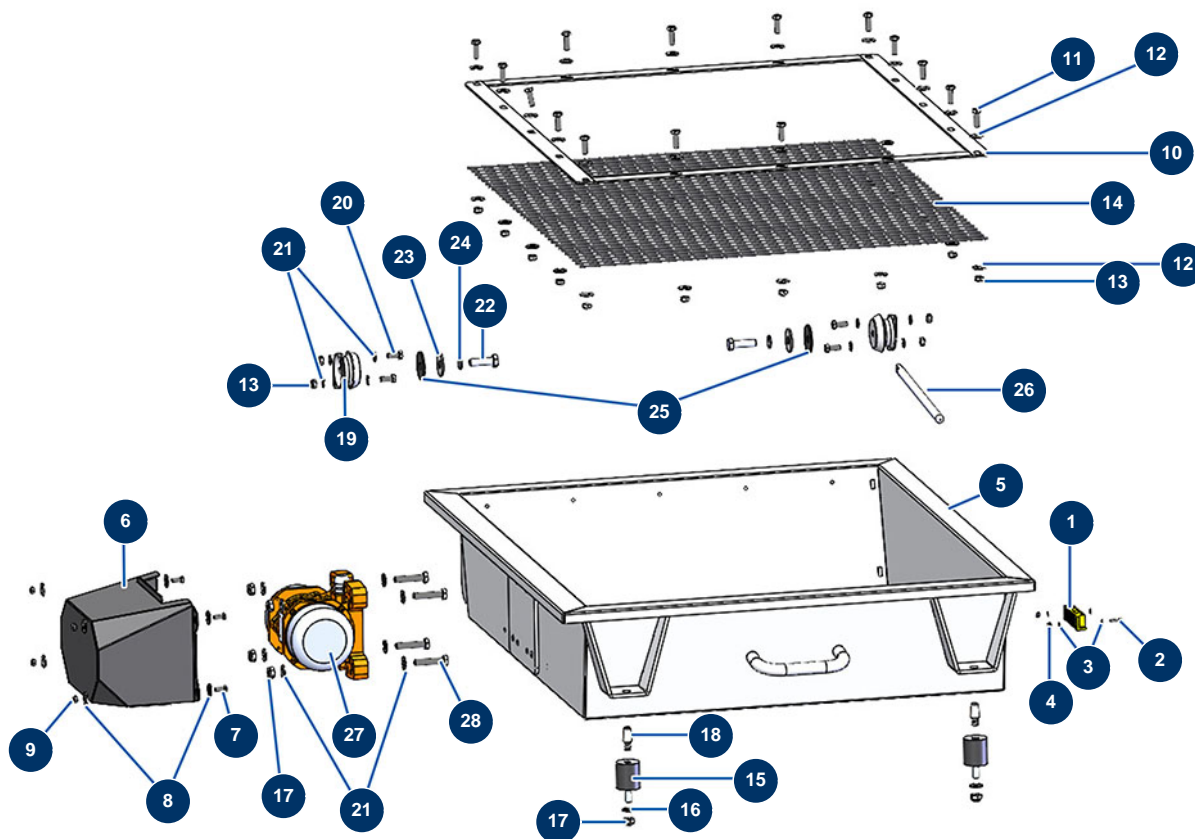
## X-PRO D140 liquid screed machine - Lifting kit option



### Détails des pièces

Pos.	Référence	Désignation
1	14432	Bolt-on lifting ring CMU 1T
2	30294	ø 12 inox large washer
3	10051	M 12 nylstop nut

## X-PRO D140 liquid screed machine - Vibrating strainer

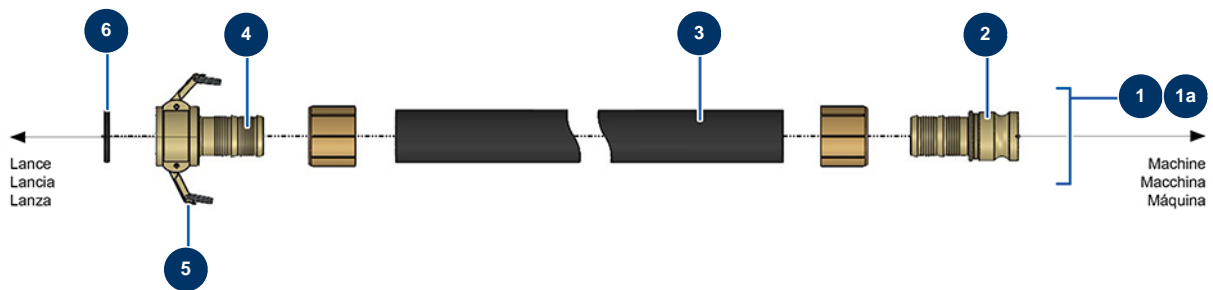


### Détails des pièces

Pos.	Référence	Désignation
1	12980	Hopper and mixer safety grid sensor - C.P 60
2	90137	4 x 16 cylindrical head screw
3	30267	ø 4 inox narrow washer
4	30266	M 4 nylstop nut
5	C23020	5
6	C22874	6
7	12069	THEF 6 x 16 screw
8	70087	ø 6 inox narrow washer
9	14217	M 6 nylstop inox nut
10	C23022	
11	30205	THEF 8 x 30 screw
12	30292	ø 8 inox large washer
13	13980	M 8 nylstop inox nut

Pos.	Référence	Désignation
14	C23080	12 x 12 x 4 grid for X-PRO D140 and D200 vibrating sieve
15	20172	Silentbloc ø 40 x 45 M-F10
16	30280	ø 10 inox narrow washer
17	13981	M 10 nylstop inox nut
18	20052	Conical pin 24 x 12/16 mm M10
19	20230	Silentbloc for X-PRO D motor plate + sieve
20	30273	THEF 8 x 20 screw
21	30256	ø 8 inox narrow washer
22	12928	THEF 12 x 40 screw
23	30281	ø 12 inox narrow washer
24	12462	Grower washer ø 12
25	20714	25
26	20705	26
27	20075	12VDC MVE200/3N vibrator
28	30260	THEF 10 x 50 screw

## X-PRO D140 liquid screed machine - Hoses



### Détails des pièces

Pos.	Référence	Désignation
1	13467	Product hose 50 x 20 m M-F50 - C.P 60
1a	13466	Product hose ø 50 x 10 m M-F 50
2	13464	2" steel adapter, corrugated Ø50
3	13411	50 x 68 spraying hose by the metre
4	13463	2" camlock steel coupling, corrugated ø 50
5	12979	Pump head steel cam coupler - C.P 60
6	12840	Steel cam coupler gasket of 50 - C.P 60