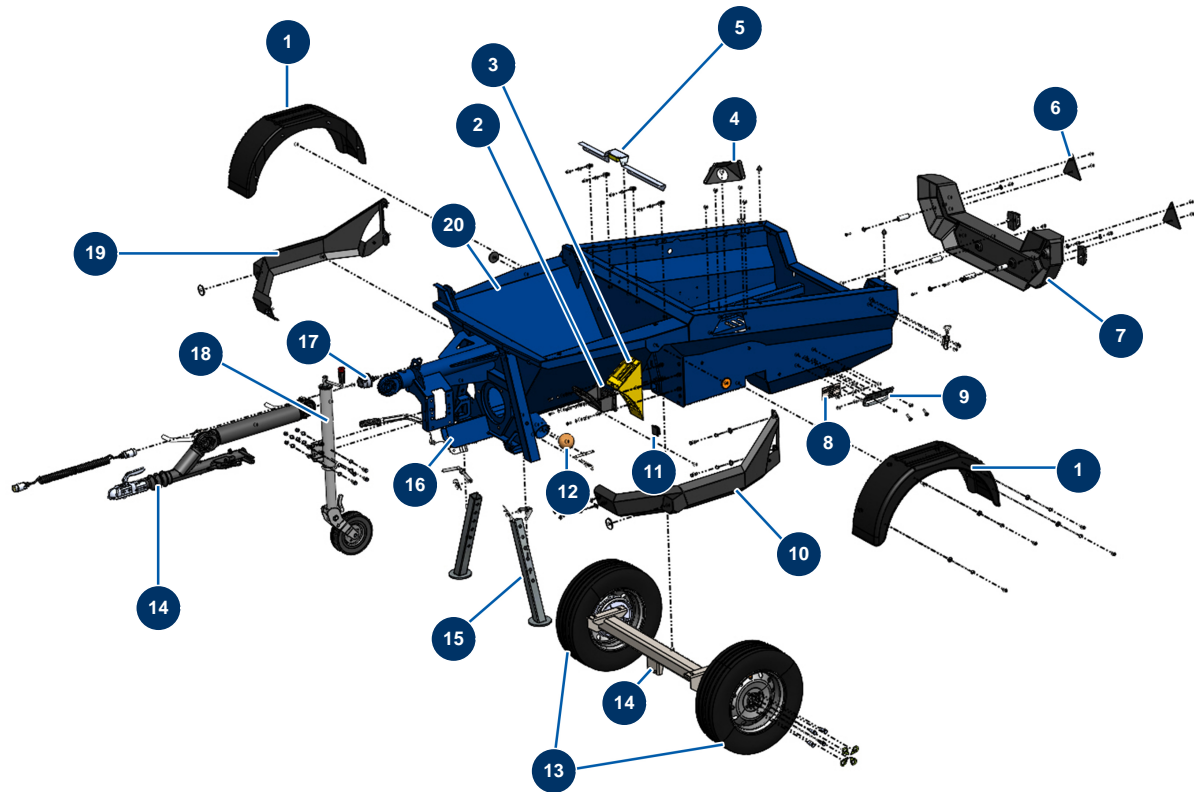


X-PRO D200 liquid screed machine - Chassis

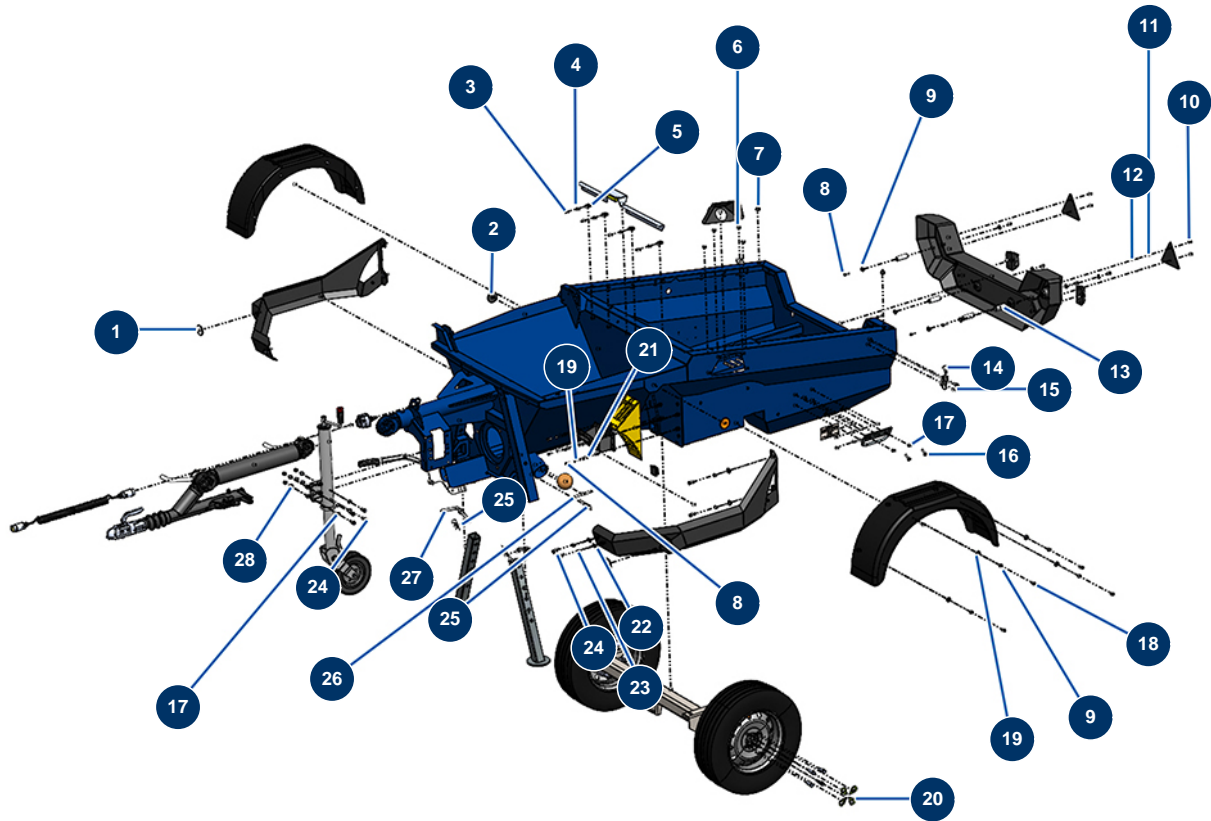


Détails des pièces

Pos.	Référence	Désignation
1	20212	X-PRO D200 & X-SCREED plastic mudguard
2	20214	X-PRO black wheel chock holder
3	20213	X-PRO D140 yellow plastic wheel chock
4	C23221	4
5	C23222	5
6	12360	Triangular red reflector
7	20238	
8	20392	
9	C20976	Chassis docking support CP 60 version 7.13
10	C23101	10
11	12665	Plastic end cap for 50 x 50 mm tube
12	20048	Cleaning ball ø 100
13	20237	

Pos.	Référence	Désignation
14	20288	
15	C23023	15
16	C23223	16
17	14913	Lighting metal 7-pin female socket - C.P 60
18	14171	
19	C23102	19
20	C23114	20

X-PRO D200 liquid screed machine - Chassis screws and bolts

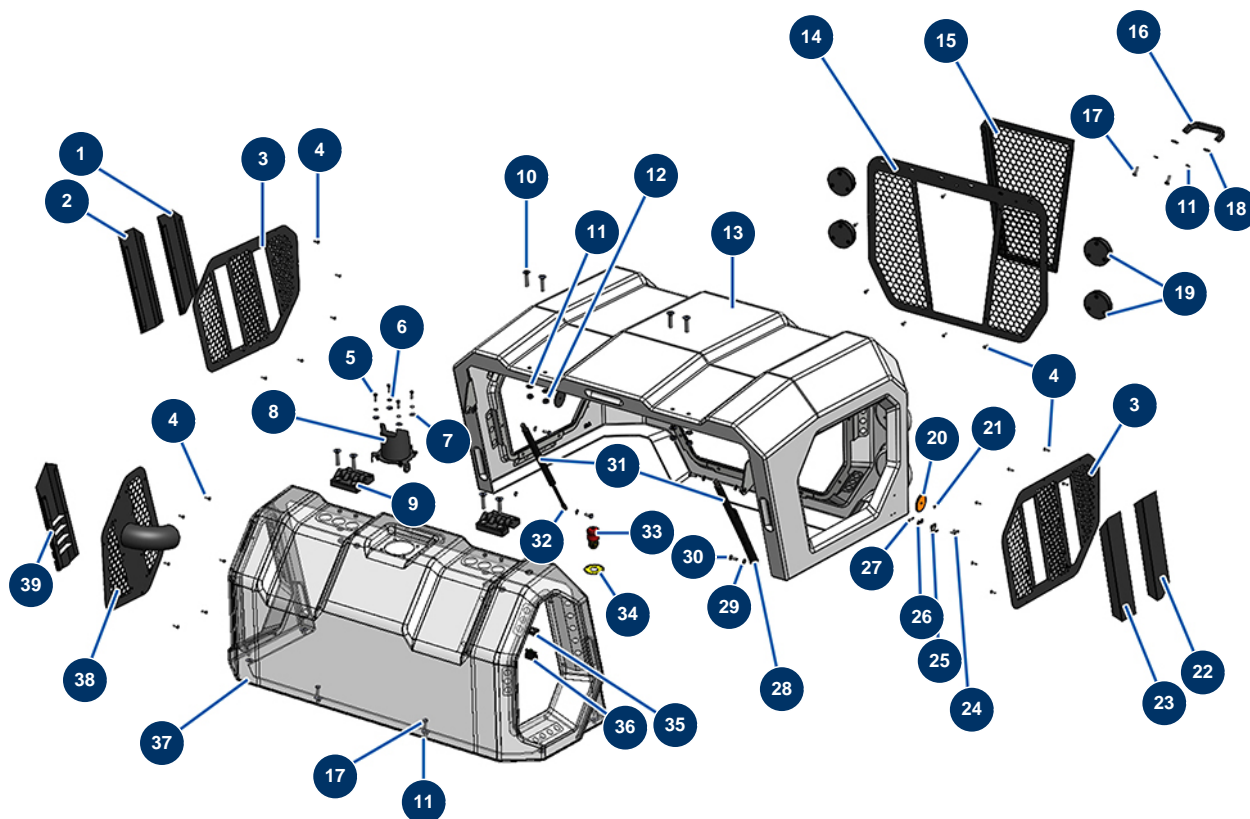


Détails des pièces

Pos.	Référence	Désignation
1	12362	Round & white reflector - C.P 60
2	12361	Round & orange reflector - C.P 60
3	14218	THEF 6 x 25 inox screw
4	80268	Grower washer Ø 6 - C.P 60
5	30291	ø 6 large washer
6	11145	6 x 16 inox cylindrical pan head screw
7	14216	ø 20 x 24 M6 conical stop
8	30273	THEF 8 x 20 screw
9	30292	ø 8 inox large washer
10	20290	5 x 20 10.9 cylindrical head screw
11	70085	ø 5 narrow washer
12	11880	M 5 nylstop nut
13	M10786LP	13

Pos.	Référence	Désignation
14	20238	
15	20392	
16	30258	THEF 10 x 30 screw
17	30280	ø 10 inox narrow washer
18	11544	THEF 8 x 25 screw
19	80269	Grower washer ø 8
20	14645	
21	30256	ø 8 inox narrow washer
22	30293	ø 10 inox large washer
23	80270	Grower washer ø 10
24	30258	THEF 10 x 30 screw
25	20046	4 mm R pin
26	20060	
27	20236	Support leg pin X-PRO D
28	60013	M 10 nylstop nut

X-PRO D200 liquid screed machine - Bodywork

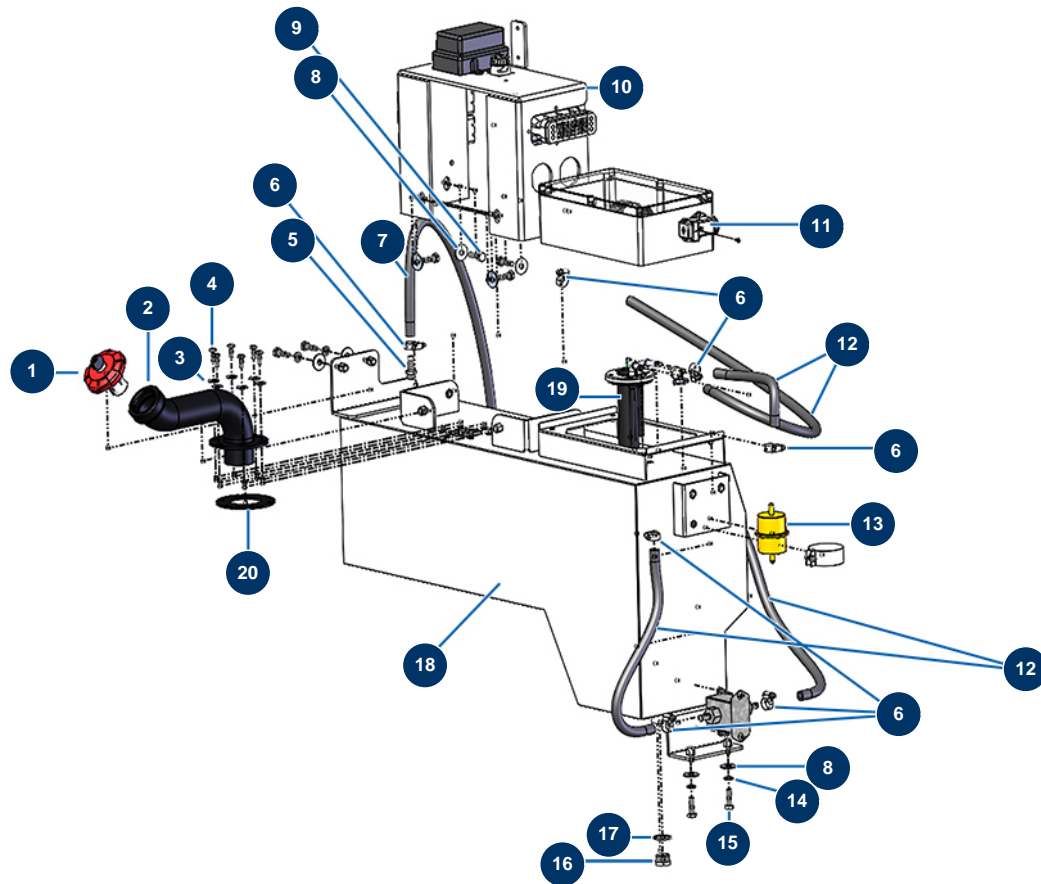


Détails des pièces

Pos.	Référence	Désignation
1	C23096	1
2	C23097	2
3	C23098	3
4	11735	Inox mushroom head screw M 5 x 16
5	14539	THEF 6 x 20 screw
6	80268	Grower washer Ø 6 - C.P 60
7	30291	Ø 6 large washer
8	C23104	8
9	12797	Hood hinge - C.P 60
10	13260	22-500 complete 800 mm lance hose with handle and ST 45 M coupler
11	30292	Ø 8 inox large washer
12	90127	M 8 nylstop nut
13	20636	Complete X-PRO D200 large model rear bonnet

Pos.	Référence	Désignation
14	C23093	14
15	C23092	15
16	20529	
17	11544	THEF 8 x 25 screw
18	80269	Grower washer ø 8
19	20426	19
20	12361	Round & orange reflector - C.P 60
21	12463	ø 5 x 16 aluminium POP rivet
22	C23094	22
23	C23095	23
24	90130	5 x 16 countersunk head screw
25	13111	Large hood locking adjustable locking clamp - C.P 60
26	30290	ø 5 large washer
27	70086	M 5 nylstop inox nut
28	14580	
29	30256	ø 8 inox narrow washer
30	30273	THEF 8 x 20 screw
31	20540	ø 10 gas spring for X-PRO D200 & X-SCREED movable cover
32	13240	
33	90727	Hook emergency stop button - CP 60
34	12824	Round sticker "Emergency stop" for CP 60
35	30036	3-contact U-bolt
36	30028	Green single closed contact
37	20637	Complete X-PRO D200 fixed front bonnet
38	C23100	38
39	C23099	39

X-PRO D200 liquid screed machine - Fuel tank

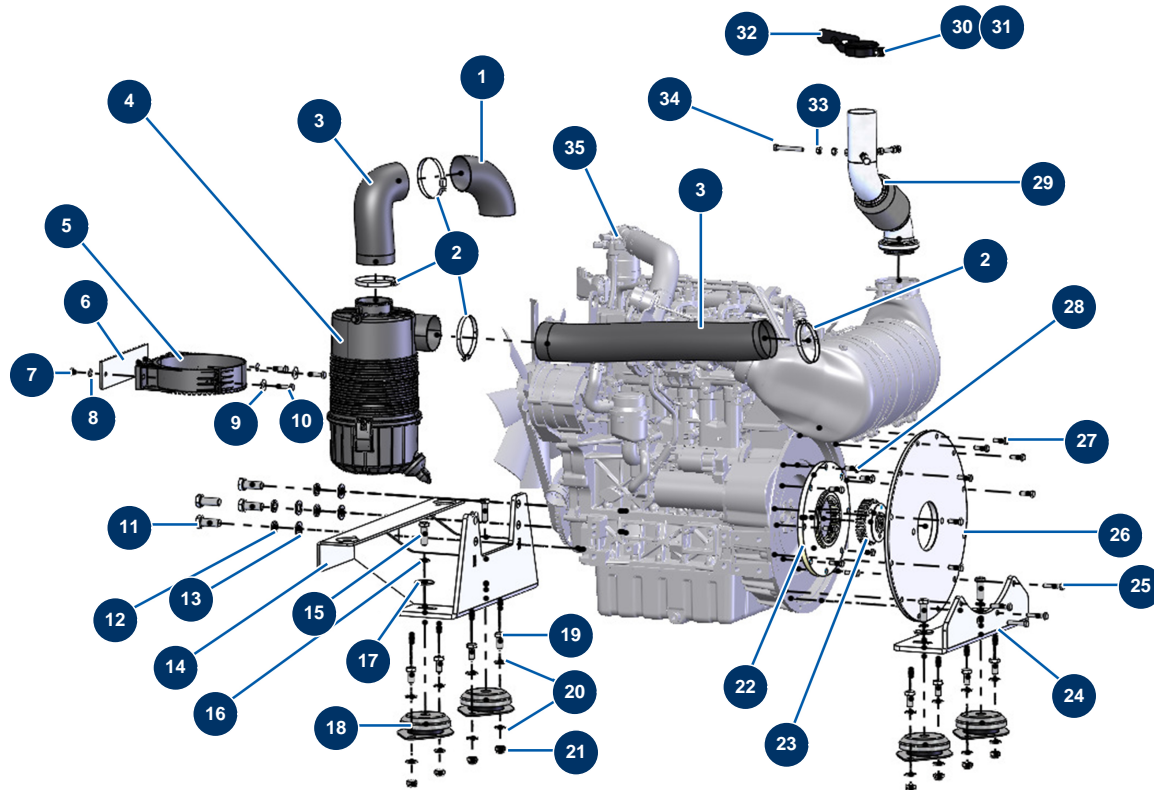


Détails des pièces

Pos.	Référence	Désignation
1	13107	Red diesel tank cap with key - C.P 60
2	C23220	2
3	30291	ø 6 large washer
4	12069	THEF 6 x 16 screw
5	80094	1/4" corrugated outer threaded coupling Ø 10
6	20247	8-16 mm collar
7	50021	Paint hose Ø 10 x 18 by the metre
8	30292	ø 8 inox large washer
9	30273	THEF 8 x 20 screw
10	C23209	10
11	20585	
12	20083	
13	20667	

Pos.	Référence	Désignation
14	80269	Grower washer ø 8
15	11544	THEF 8 x 25 screw
16	90239	1/2" low-pressure male plug
17	91032	Steel gasket for hollow screw with 1/2" lip
18	C23113	18
19	20241	Gasoil level gauge - length 350 mm - X-PRO D
20	20632	

X-PRO D200 liquid screed machine - Motor

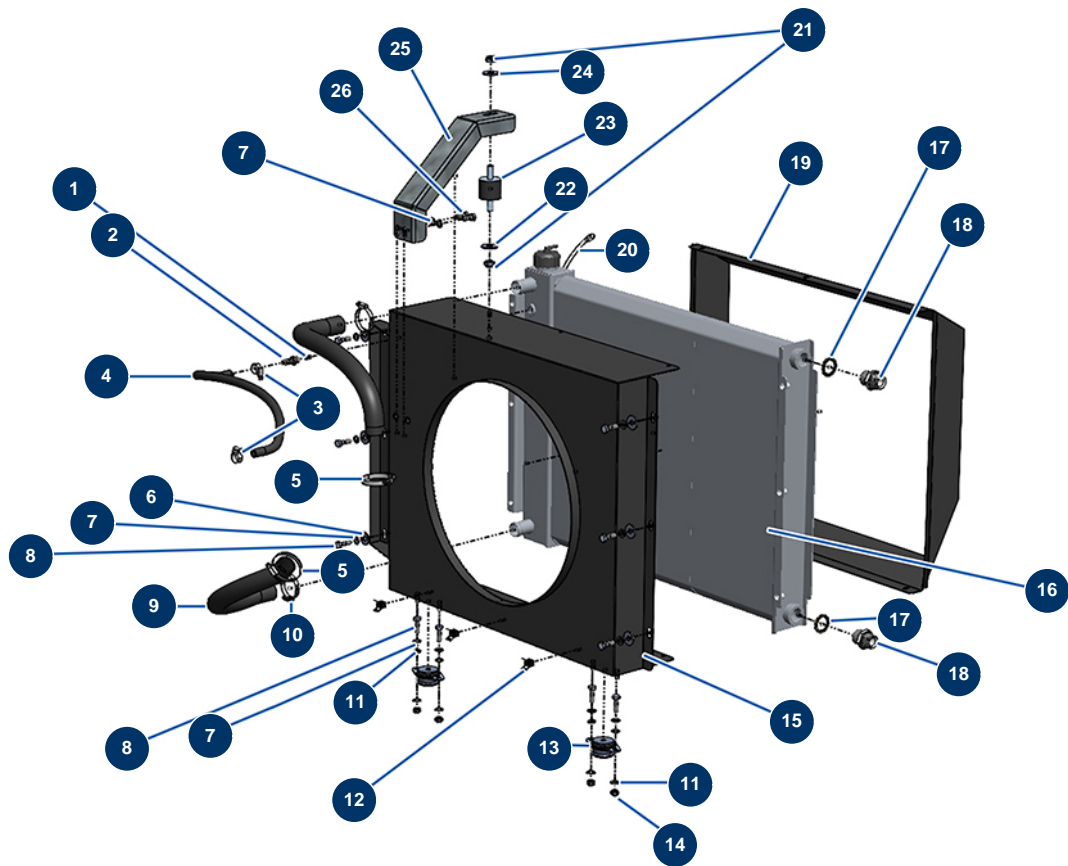


Détails des pièces

Pos.	Référence	Désignation
1	20386	
2	20484	
3	20357	
4	20271	
5	20272	
6	C23227	6
7	13980	M 8 nylstop inox nut
8	30256	∅ 8 inox narrow washer
9	30292	∅ 8 inox large washer
10	11544	THEF 8 x 25 screw
11	20203	THEF DIN933 8.8 M16/150 x 40 screw
12	20374	127 ∅ 16 grower washer
13	30288	∅ 16 inox narrow washer

Pos.	Référence	Désignation
14	C23062	14
15	12298	Complete motor pump 8 litres - 130 bar - Turbipompe
16	12462	Grower washer ø 12
17	30294	ø 12 inox large washer
18	20265	Silentbloc for X-SCREED motor plate
19	12251	THEF 12 x 25 screw
20	30281	ø 12 inox narrow washer
21	10051	M 12 nylstop nut
22	20031	
23	20030	
24	C23061	24
25	20202	THEF DIN933 8.8 3/8 UNC x 40 screw
26	20029	
27	20201	THEF DIN933 8.8 3/8 UNC x 25 screw
28	20200	THEF DIN933 8.8 5/16 UNC x 25 screw
29	C23105	29
30	20602	THEF 5 x 40 inox screw
31	11880	M 5 nylstop nut
32	20767	32
33	14075	M 8 inox nut
34	12450	THEF 8 x 60 screw
35	20020	Diesel motor KOHLER KDI 1903 36kW

X-PRO D200 liquid screed machine - Radiator

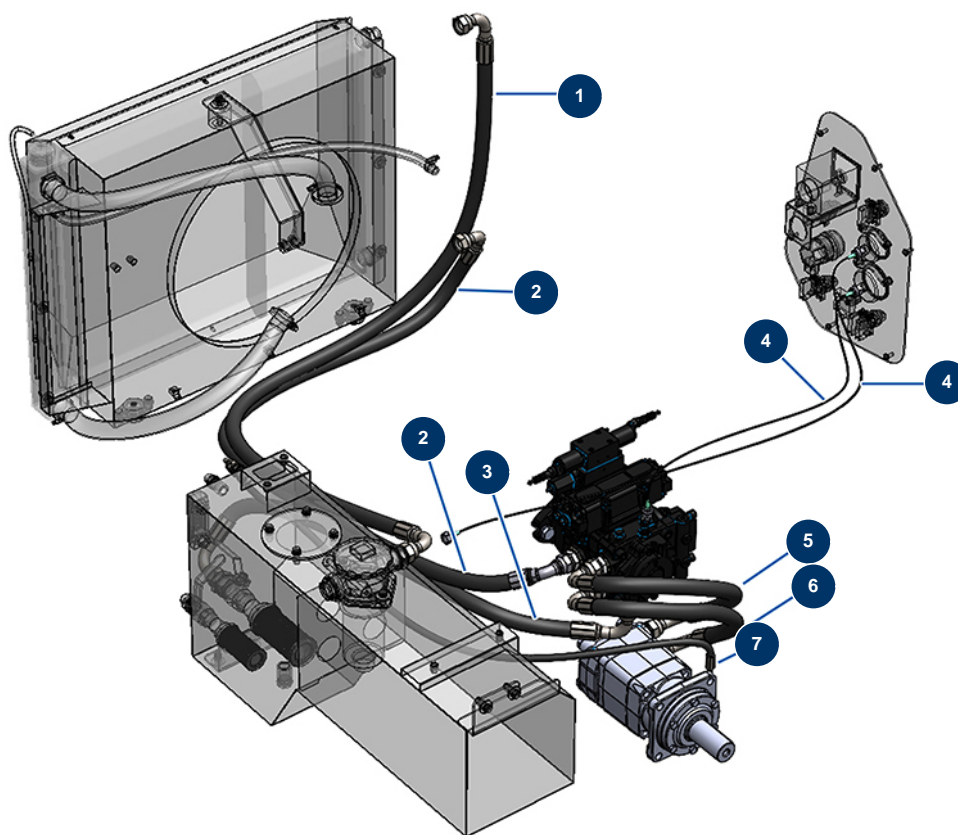


Détails des pièces

Pos.	Référence	Désignation
1	20406	
2	80094	1/4" corrugated outer threaded coupling Ø 10
3	20247	8-16 mm collar
4	20409	Cooling liquid hose ø 8 x 15 by the metre
5	20393	
6	30292	ø 8 inox large washer
7	80269	Grower washer ø 8
8	11544	THEF 8 x 25 screw
9	20248	
10	20242	25-40 mm collar
11	30256	ø 8 inox narrow washer
12	80197	Sarel collar support
13	20536	

Pos.	Référence	Désignation
14	90127	M 8 nylstop nut
15	C23109	15
16	20169	Engine/Hydraulic oil cooler RL - X-PRO D200
17	12573	Steel gasket for 3/4" hollow screw with lip
18	90774	3/4" MaleD x 3/4" MaleD high-pressure nipple
19	C23108	19
20	90541	Clear air hose Ø 6 by the metre
21	60013	M 10 nylstop nut
22	30280	ø 10 inox narrow washer
23	20681	Silentbloc ø 40 x 35 M-M10
24	30293	ø 10 inox large washer
25	C23107	25
26	30273	THEF 8 x 20 screw

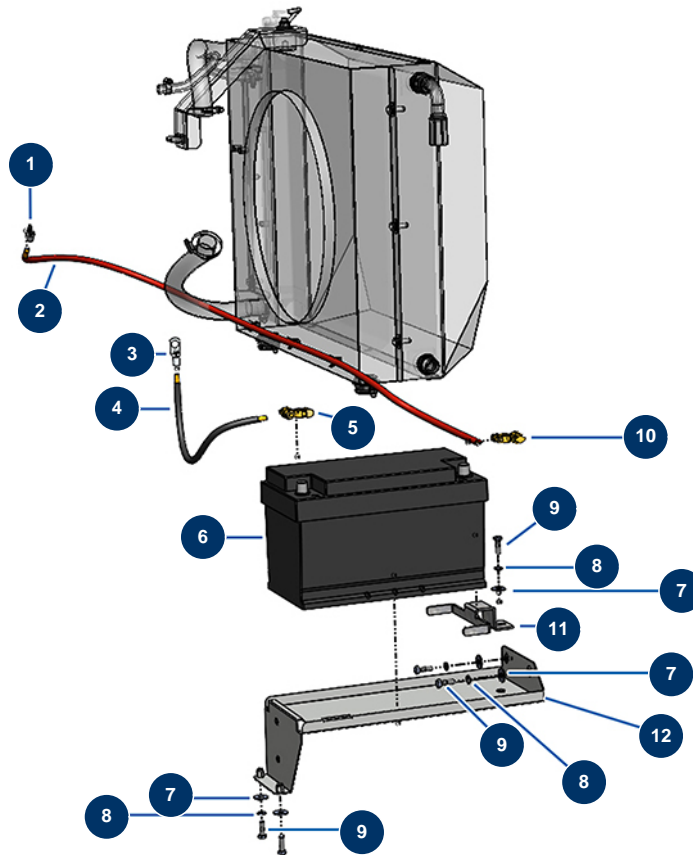
X-PRO D200 liquid screed machine - Hoses



Détails des pièces

Pos.	Référence	Désignation
1	20417	
2	20416	
3	20411	
4	20130	
5	20414	
6	20413	
7	20415	

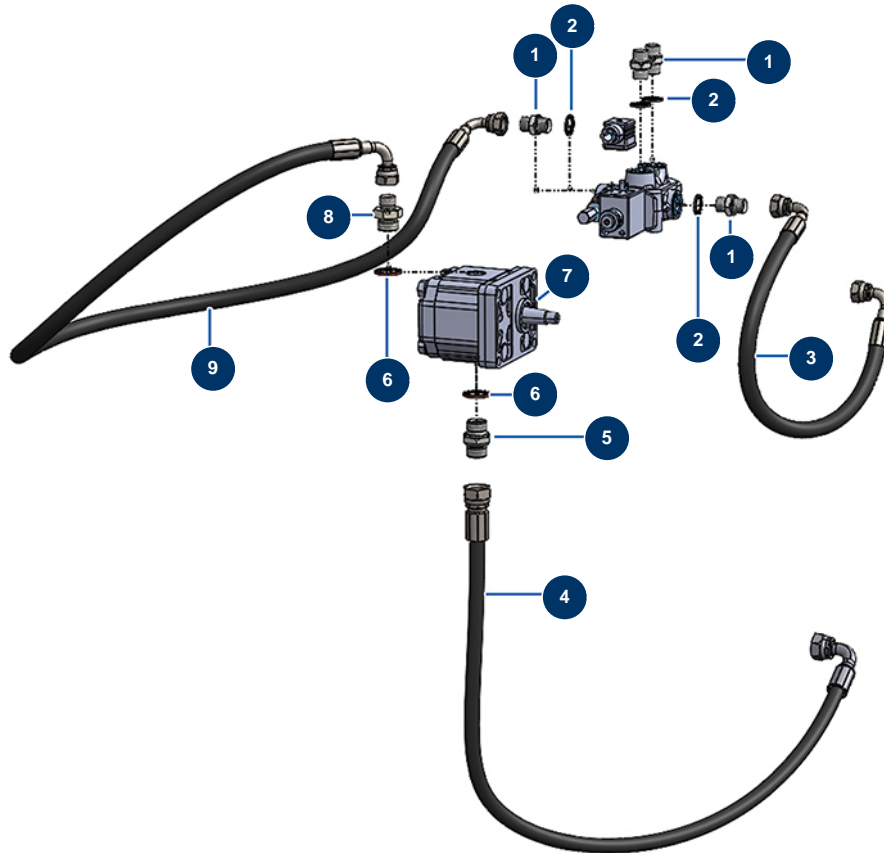
X-PRO D200 liquid screed machine - Battery



Détails des pièces

Pos.	Référence	Désignation
1	20249	Solder lug on 35 mm ² wire with ø 8 hole
2	20233	35 mm ² red battery cable by the metre
3	20250	Solder lug on 35 mm ² wire with ø 12 hole
4	20234	35 mm ² black battery cable by the metre
5	14573	Self-clamping battery terminal - blue
6	20257	110 Ah (+D) battery
7	30292	ø 8 inox large washer
8	80269	Grower washer ø 8
9	11544	THEF 8 x 25 screw
10	14572	Self-clamping battery terminal + red
11	C23248	11
12	C23207	12

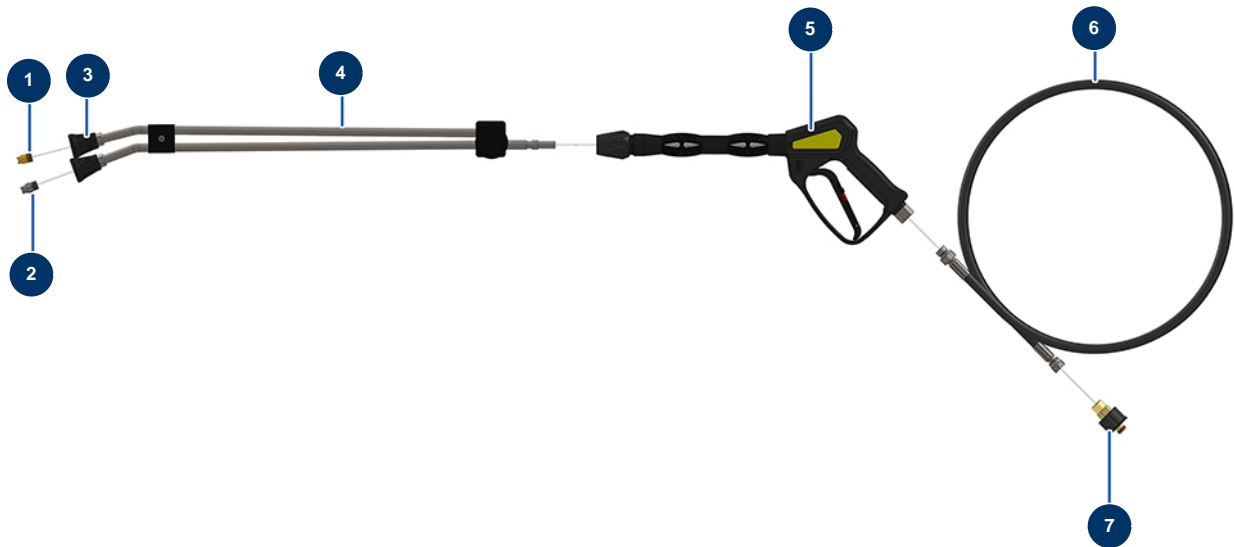
X-PRO D200 liquid screed machine - 6cc high pressure washer pump



Détails des pièces

Pos.	Référence	Désignation
1	80276	3/8" MaleD x 3/8" MaleC high-pressure nipple
2	91031	Steel gasket for hollow screw with 3/8 lip
3	20421	
4	20412	
5	90627	1/2" MaleD x 1/2" MaleD high-pressure nipple
6	91032	Steel gasket for hollow screw with 1/2" lip
7	20477	
8	90872	1/2" MaleD x 3/8" MaleD high-pressure nipple
9	20418	

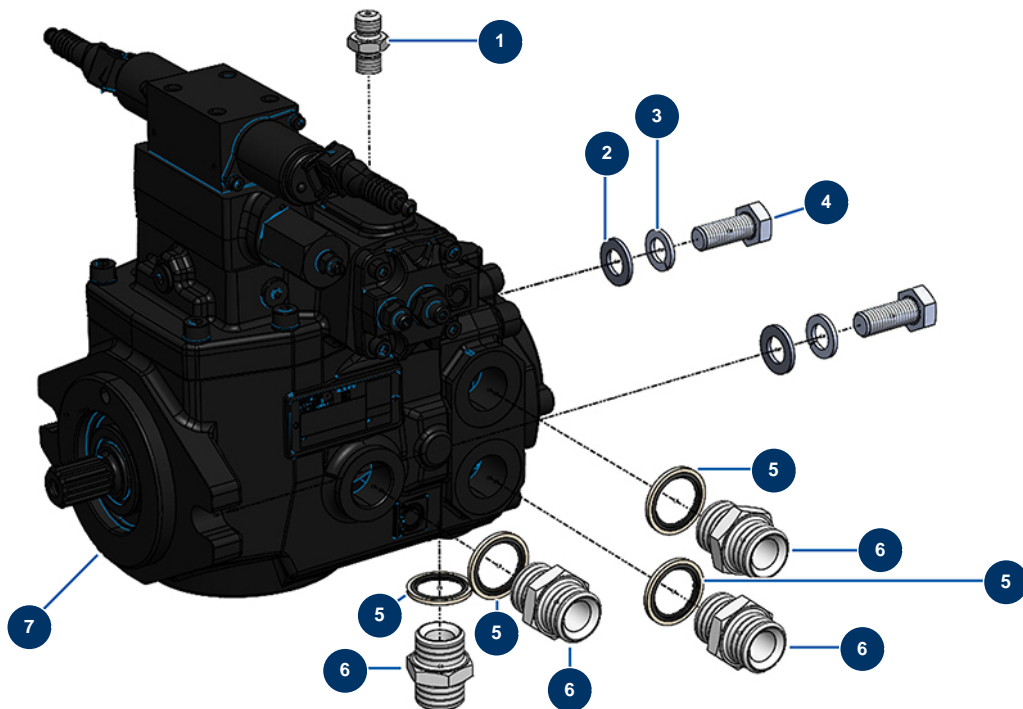
X-PRO D200 liquid screed machine - High pressure washer lance



Détails des pièces

Pos.	Référence	Désignation
1	90307	Low pressure nozzle 50°-40
2	90304	High pressure nozzle 15°-40
3	12415	Double elbow lance hose nozzle holder, 600 mm, KW coupler
4	12166	Double elbow lance hose 600 mm, KW coupler
5	12165	Washer spray-gun with protected hose 310 bars, KW coupler
6	12071	Washer hose Ø 8-315 bar 10 metres
7	90328	M22-150 F x 3/8 M female quick fit attachment

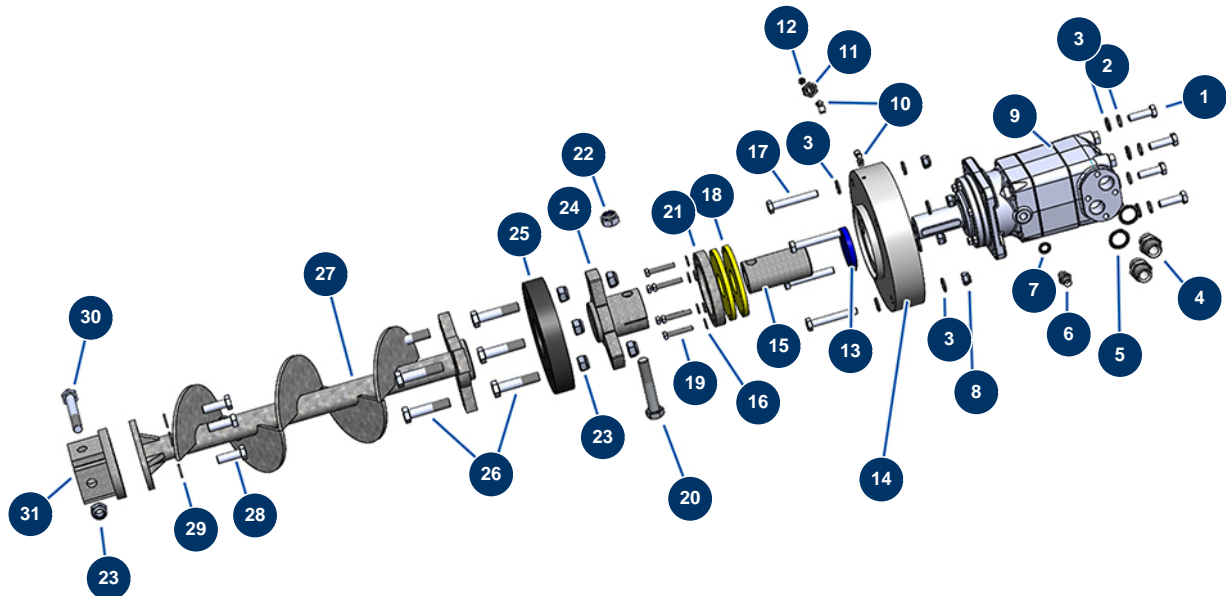
X-PRO D200 liquid screed machine - 37cc hydraulic pump



Détails des pièces

Pos.	Référence	Désignation
1	20123	
2	30286	ø 14 inox narrow washer
3	20293	127 ø 14 grower washer
4	20292	THEF 961 14/150 x 35 screw
5	12573	Steel gasket for 3/4" hollow screw with lip
6	90774	3/4" MaleD x 3/4" MaleD high-pressure nipple
7	20475	

X-PRO D200 liquid screed machine - Transmission

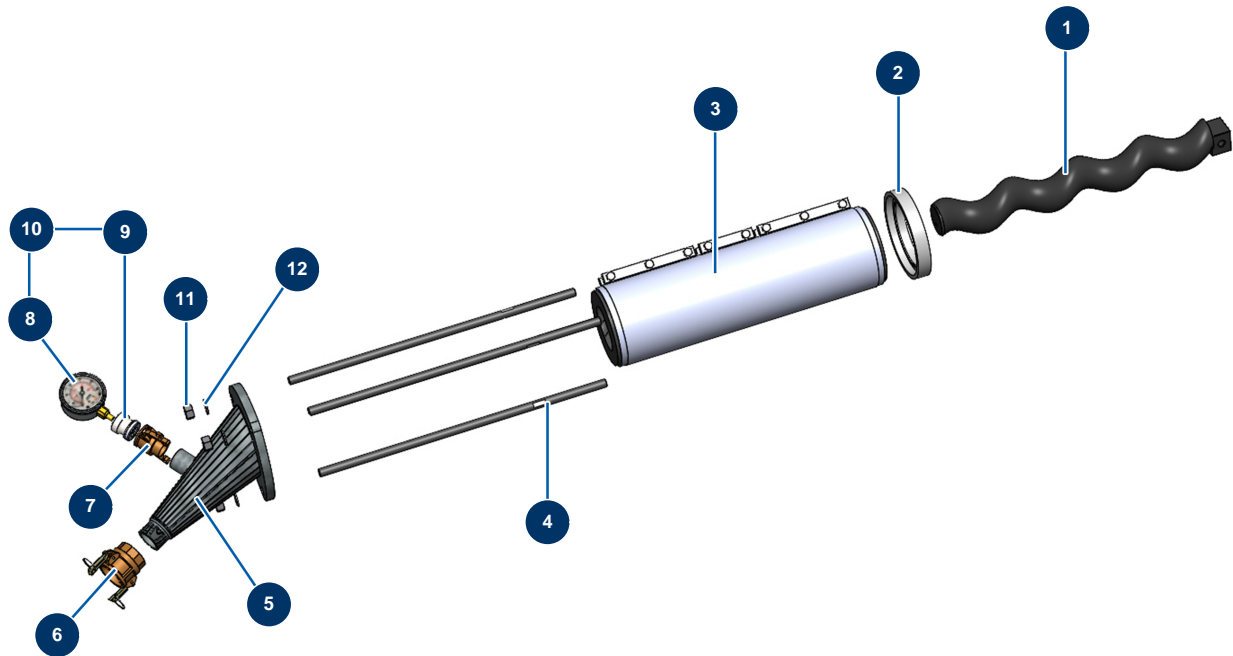


Détails des pièces

Pos.	Référence	Désignation
1	12928	THEF 12 x 40 screw
2	12462	Grower washer ø 12
3	30281	ø 12 inox narrow washer
4	90774	3/4" MaleD x 3/4" MaleD high-pressure nipple
5	12573	Steel gasket for 3/4" hollow screw with lip
6	90703	1/4" MaleD x 1/4" MaleD high-pressure nipple
7	91016	Steel gasket for hollow screw with 1/4 lip
8	10051	M 12 nylstop nut
9	20208	OMT 400 X-PRO D200 hydraulic motor
10	30124	Corrugated Legris coupling M1/8" Ø 6
11	20159	
12	20044	1/8" M straight lubricator
13	20042	Spi seal 55 x 72 x 10

Pos.	Référence	Désignation
14	20207	OMT 250 X-PRO D140 hydraulic motor flange
15	20056	X-PRO 140, 200 & CP 100 drive shaft
16	30256	∅ 8 inox narrow washer
17	20047	THPF screw 12 x 80 raw steel 12.9
18	20058	X-PRO machine tank bottom gasket
19	11798	THEF 8 x 45 screw
20	20040	18 x 100 THPF screw
21	20059	X-PRO machine seal flange
22	20039	M 18 nylstop nut
23	90491	M 16 nylstop nut
24	20180	X-PRO D200 motor/transmission shaft coupling
25	14843	Transmission shaft elastic coupling - X-PRO D200
26	20369	THEF 16 x 70 screw
27	20179	X-PRO D200 tank bottom drive shaft
28	20263	THEF 14 x 25 screw
29	20293	127 ∅ 14 grower washer
30	20673	DIN 6914 16 x 110 screw
31	20181	X-PRO D200 transmission rotor/shaft coupling

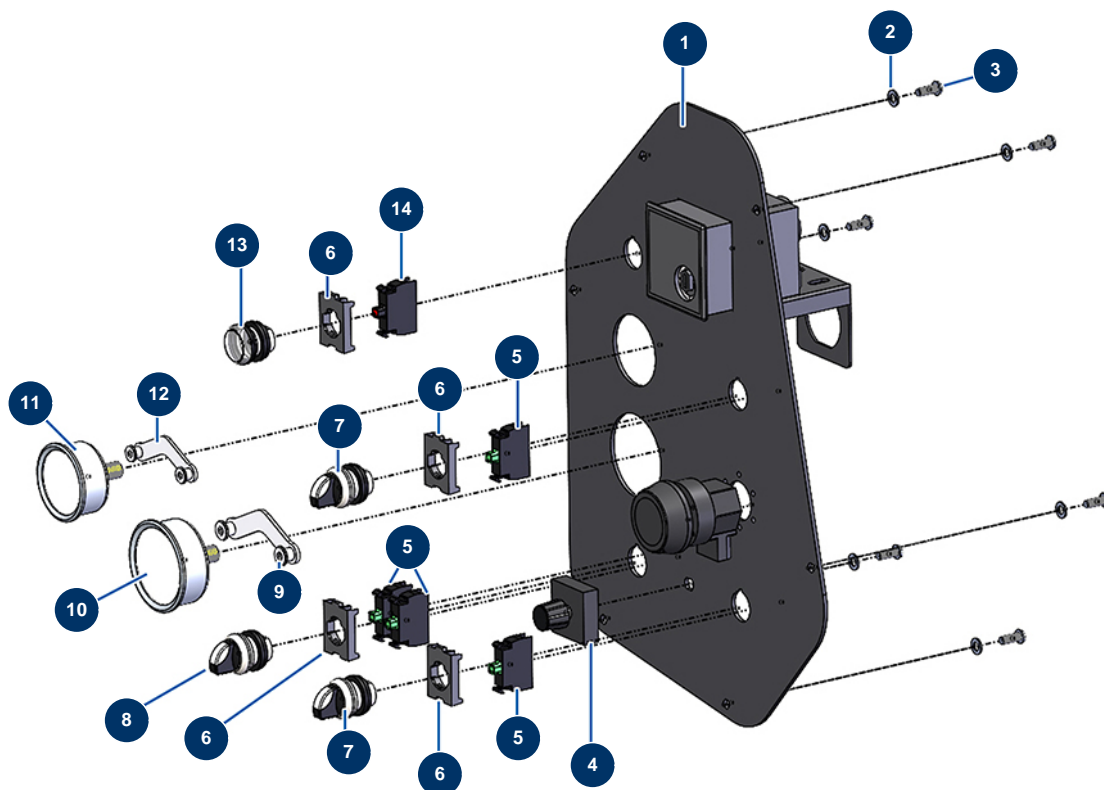
X-PRO D200 liquid screed machine - Pump



Détails des pièces

Pos.	Référence	Désignation
1	MI7009500700	MIXER 2L8 pump rotor with square and holed head
2	20178	X-PRO D200 2L8 stator flange
3	MI3F00600100	MIXER 2L8 SX 60SH adjustable pump stator
4	M10440	700 mm fastening tie rod for CP 60
5	C23060	
6	12364	2" camlock steel coupling, inner threaded 2" - CP 60
7	20070	1"1/4 camlock steel coupling, outer threaded 1"1/4
8	20154	Oil radial manometer 1/2" conical 100 mm - 0 to 60 bar
9	20062	X-PRO machine manometer adapter
10	20173	
11	12473	M 20 nut
12	10141	ø 20 inox narrow washer

X-PRO D200 liquid screed machine - Control panel

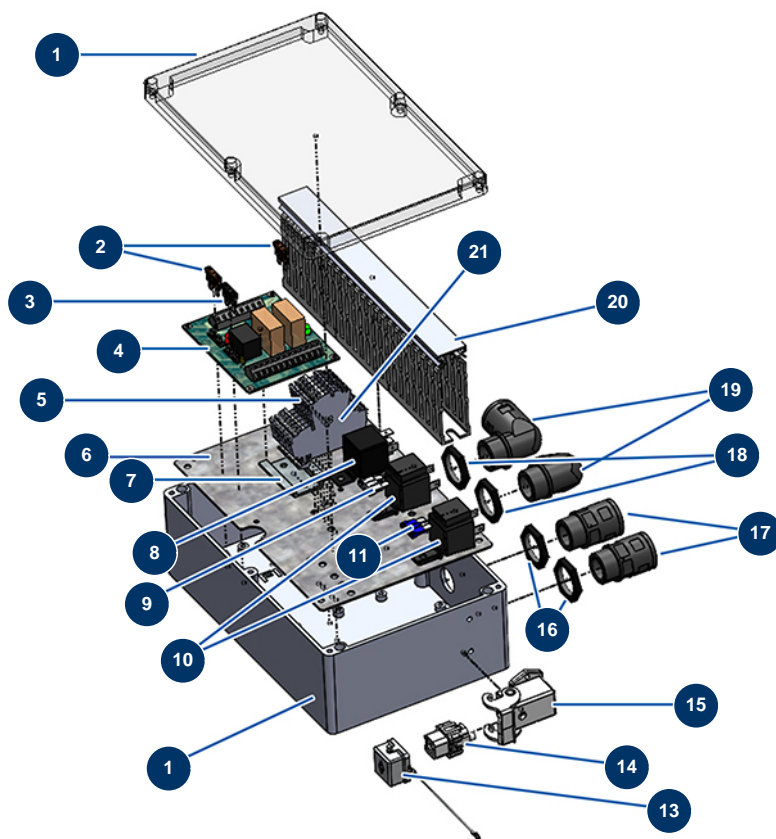


Détails des pièces

Pos.	Référence	Désignation
1	C23091	1
2	70087	∅ 6 inox narrow washer
3	11145	6 x 16 inox cylindrical pan head screw
4	20476	
5	30028	Green single closed contact
6	30036	3-contact U-bolt
7	30025	2-position button
8	90731	3-position button
9	20258	
10	13207	Cylindrical 1/4 axial manometer 63 mm 0 to 250 bar - C.P 60
11	20198	50 mm axial manometer 1/4" cylindrical - 0 to 160 bar
12	20199	Fixing U-blot for manometer Ø 50
13	90729	Transparent indicator button

Pos.	Référence	Désignation
14	14483	Led Bulb 12/30 VAC/VDC red

X-PRO D200 liquid screed machine - Electrical box

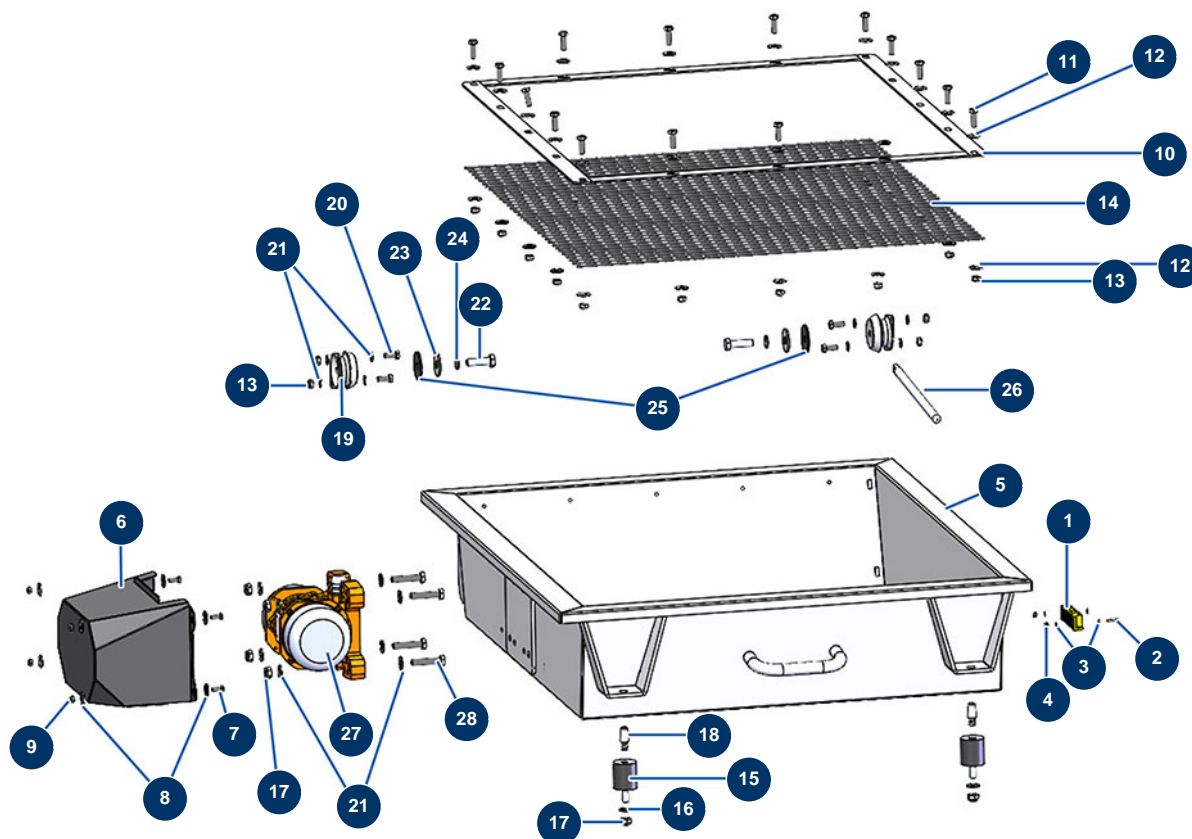


Détails des pièces

Pos.	Référence	Désignation
1	20228	250 x 160 x 90 plastic box with transparent lid
2	13080	Standard US 5A fuse - CP 60
3	13079	Standard US 2A fuse - CP 60
4	12988	Safety electronic card - C.P 60
5	20390	5
6	20229	
7	10265	
8	13108	C-shape 12V relay - C.P 60
9	20252	US 25A standard fuse
10	20378	Relay 12V DC with fuse
11	20251	US 15A standard fuse
13	12535	2 PIV cover with MIXPRO 14 gasket
14	11914	Female insert 4p + G

Pos.	Référence	Désignation
15	12543	Insulating bend socket base 3p + G - 1 lever
16	20051	M 20 grey plastic cable gland nut
17	20512	
18	20050	M 25 cable gland nut
19	20511	
20	20641	
21	20389	

X-PRO D200 liquid screed machine - Vibrating strainer



Détails des pièces

Pos.	Référence	Désignation
1	12980	Hopper and mixer safety grid sensor - C.P 60
2	90137	4 x 16 cylindrical head screw
3	30267	ø 4 inox narrow washer
4	30266	M 4 nylstop nut
5	C23020	5
6	C22874	6
7	12069	THEF 6 x 16 screw
8	70087	ø 6 inox narrow washer
9	14217	M 6 nylstop inox nut
10	C23022	
11	30205	THEF 8 x 30 screw
12	30292	ø 8 inox large washer
13	13980	M 8 nylstop inox nut

Pos.	Référence	Désignation
14	C23249	
15	20172	Silentbloc ø 40 x 45 M-F10
16	30280	ø 10 inox narrow washer
17	13981	M 10 nylstop inox nut
18	20052	Conical pin 24 x 12/16 mm M10
19	20230	Silentbloc for X-PRO D motor plate + sieve
20	30273	THEF 8 x 20 screw
21	30256	ø 8 inox narrow washer
22	12928	THEF 12 x 40 screw
23	30281	ø 12 inox narrow washer
24	12462	Grower washer ø 12
25	20714	25
26	20705	26
27	20075	12VDC MVE200/3N vibrator
28	30260	THEF 10 x 50 screw