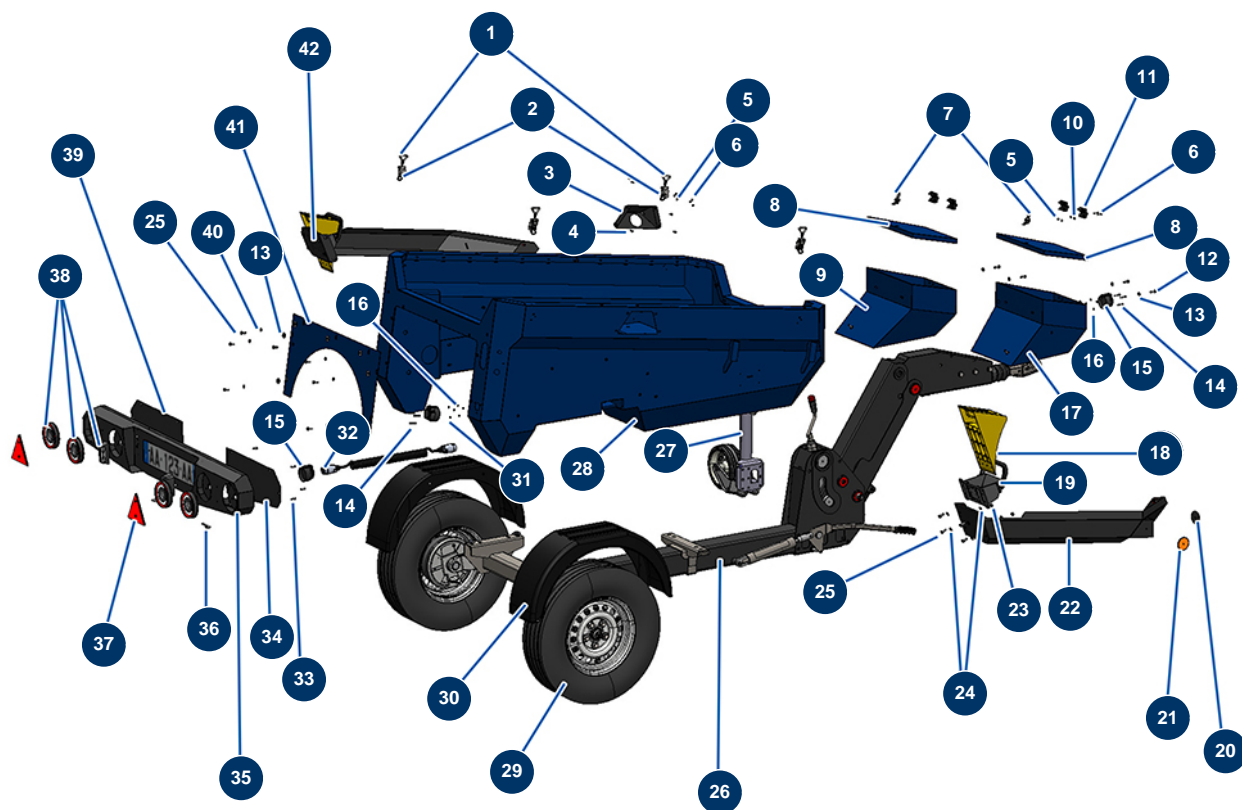


## X-SCREED D60 dry screed machine - stage V 42kW - Chassis

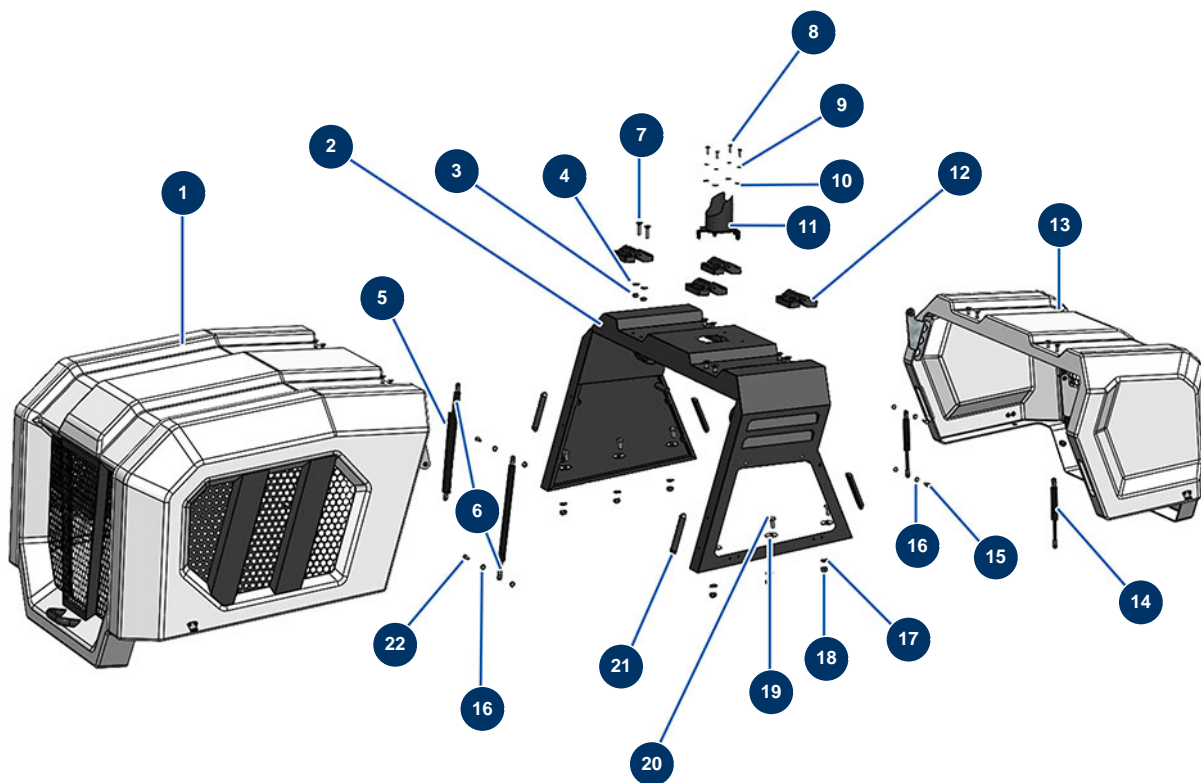


### Détails des pièces

Pos.	Référence	Désignation
1	15021	Adjustable toggle without hook
2	15022	Adjustable toggle locking hook
3	C23221CST	
4	11145	6 x 16 inox cylindrical pan head screw
5	11880	M 5 nylstop nut
6	12135	5 x 20 countersunk head screw
7	13035	
8	C23171CST	
9	C23237	
10	30290	ø 5 large washer
11	36036	11
12	11544	THEF 8 x 25 screw
13	30292	ø 8 inox large washer

Pos.	Référence	Désignation
14	20375	5 x 35 cylindrical head screw
15	14913	Lighting metal 7-pin female socket - C.P 60
16	70086	M 5 nylstop inox nut
17	C23170CST	
18	20213	X-PRO D140 yellow plastic wheel chock
19	20214	X-PRO black wheel chock holder
20	12362	Round & white reflector - C.P 60
21	12361	Round & orange reflector - C.P 60
22	C23180CST	
23	90127	M 8 nylstop nut
24	30256	ø 8 inox narrow washer
25	30273	THEF 8 x 20 screw
26	30280	ø 10 inox narrow washer
27	14171	
28	C23154CST	
29	30279	29
30	20212	X-PRO D200 & X-SCREED plastic mudguard
31	70085	ø 5 narrow washer
32	14912	
33	20363	6 x 20 cylindrical pan head screw
34	C23266CST	
35	C23158CST	
36	20046	4 mm R pin
37	12360	Triangular red reflector
38	20601	
39	C23159CST	
40	80269	Grower washer ø 8
41	C30001	41
42	C23179CST	

## X-SCREED D60 dry screed machine - stage V 42kW - Hoop bodywork

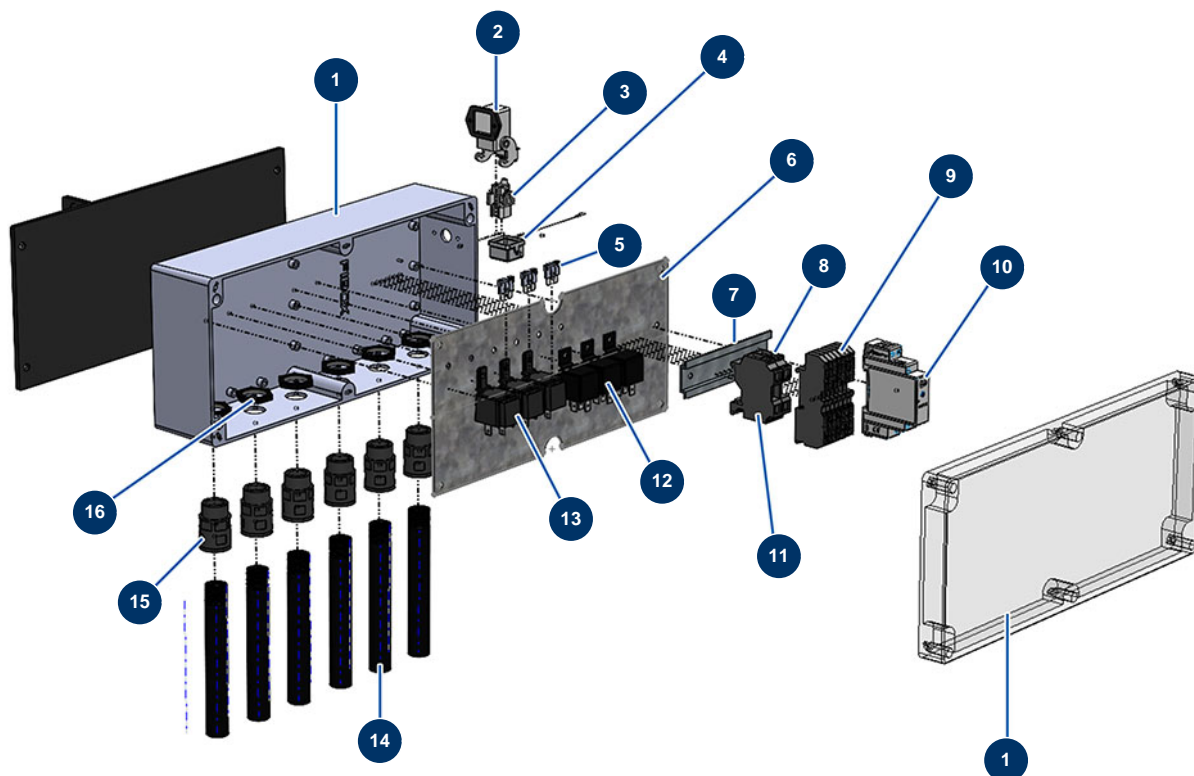


### Détails des pièces

Pos.	Référence	Désignation
1	20638	Complete X-SCREED large model front bonnet
2	C23155CST	
3	90127	M 8 nylstop nut
4	30292	ø 8 inox large washer
5	14580	
6	20540	ø 10 gas spring for X-PRO D200 & X-SCREED movable cover
7	13260	22-500 complete 800 mm lance hose with handle and ST 45 M coupler
8	14539	THEF 6 x 20 screw
9	80268	Grower washer Ø 6 - C.P 60
10	30291	ø 6 large washer
11	C23104	
12	12797	Hood hinge - C.P 60
13	20639	Complete X-SCREED small model rear bonnet

Pos.	Référence	Désignation
14	20545	14
15	30273	THEF 8 x 20 screw
16	30256	∅ 8 inox narrow washer
17	30281	∅ 12 inox narrow washer
18	10051	M 12 nylstop nut
19	30294	∅ 12 inox large washer
20	12251	THEF 12 x 25 screw
21	20534	
22	11544	THEF 8 x 25 screw

## X-SCREED D60 dry screed machine - stage V 42kW - Electrical Group

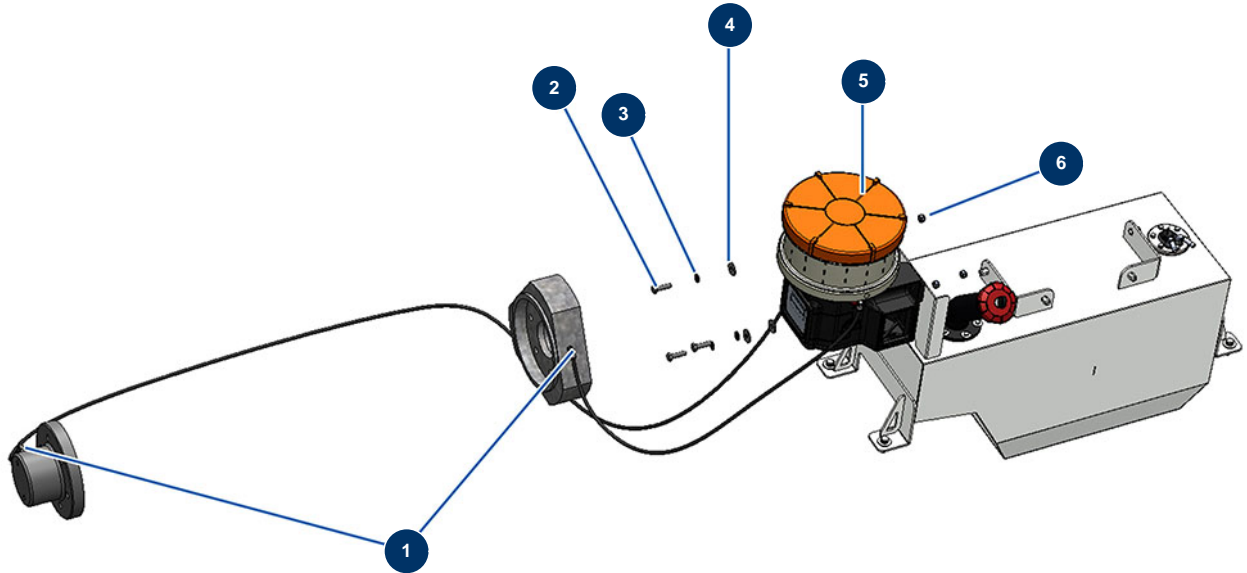


### Détails des pièces

Pos.	Référence	Désignation
1	20608	
2	12543	Insulating bend socket base 3p + G - 1 lever
3	11914	Female insert 4p + G
4	12535	2 PIV cover with MIXPRO 14 gasket
5	20252	US 25A standard fuse
6	20607	
7	10265	
8	20543	
9	80482	Grey conductor block 6 mm <sup>2</sup>
10	20491	
11	20544	
12	13108	C-shape 12V relay - C.P 60
13	20378	Relay 12V DC with fuse

<b>Pos.</b>	<b>Référence</b>	<b>Désignation</b>
14	20510	
15	20512	
16	20051	M 20 grey plastic cable gland nut

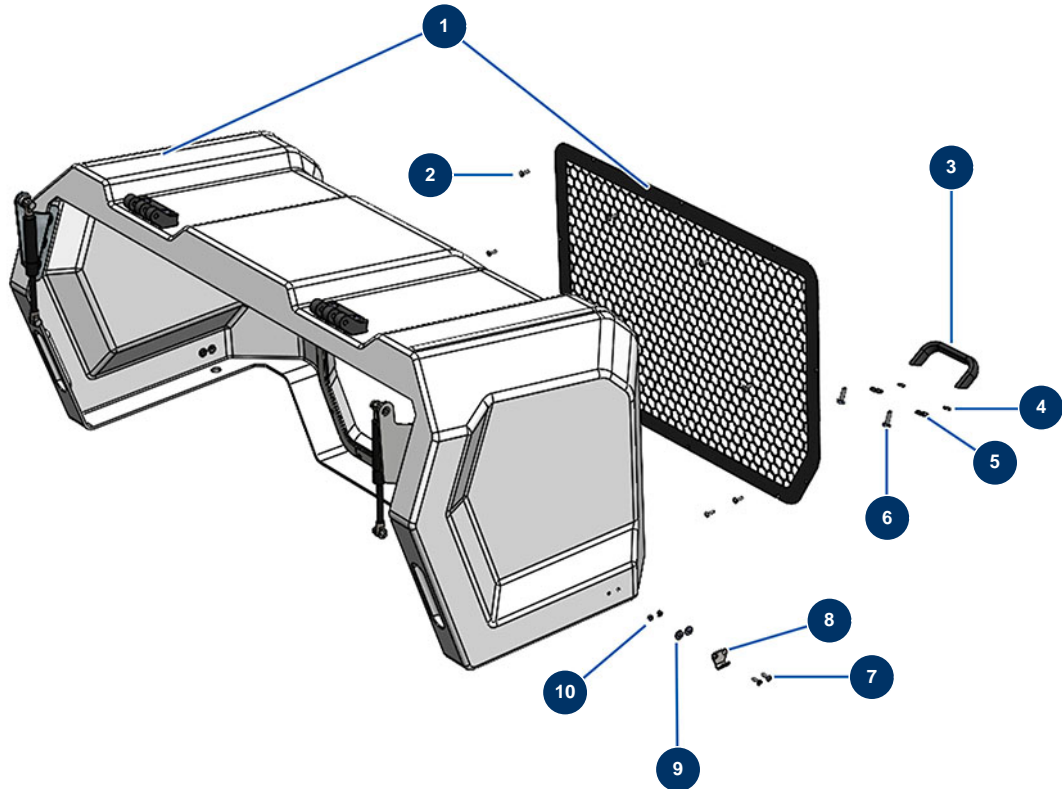
## X-SCREED D60 dry screed machine - stage V 42kW - Lubrication system



### Détails des pièces

Pos.	Référence	Désignation
1	30124	Corrugated Legris coupling M1/8" Ø 6
2	30205	THEF 8 x 30 screw
3	30256	Ø 8 inox narrow washer
4	30292	Ø 8 inox large washer
5	20260	
6	90127	M 8 nylstop nut

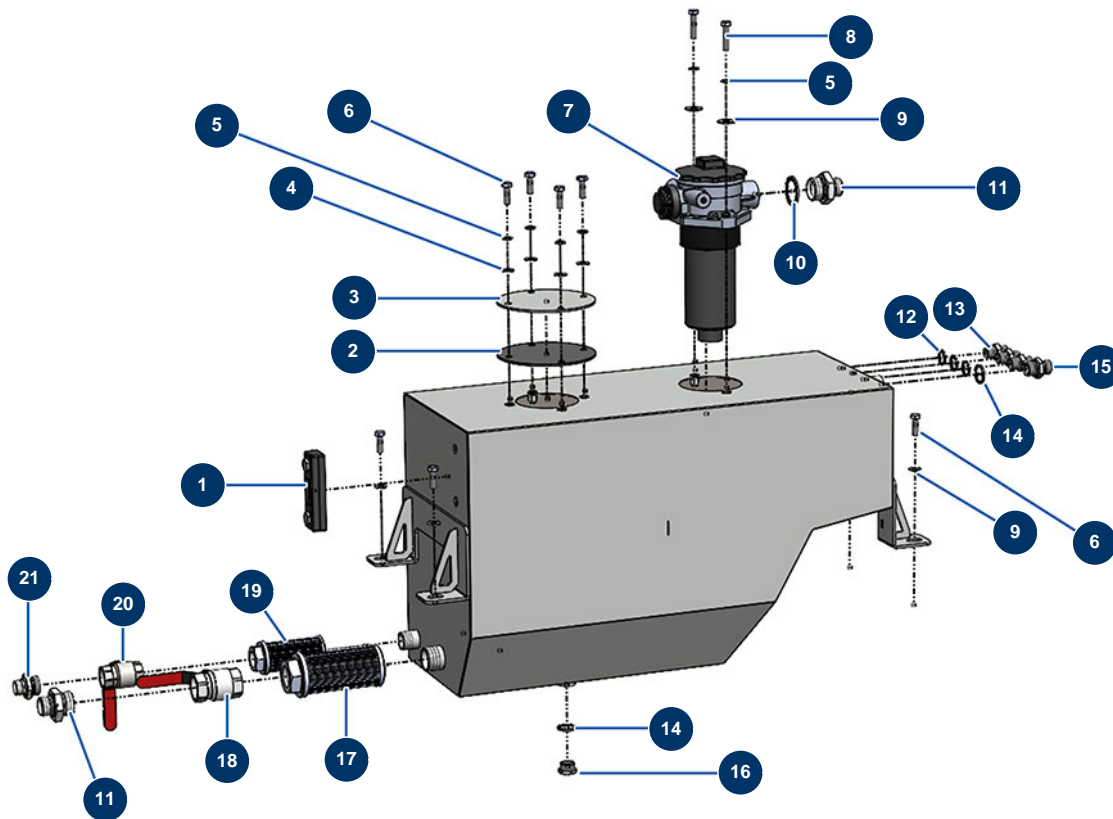
## X-SCREED D60 dry screed machine - stage V 42kW - Rear bonnet



### Détails des pièces

Pos.	Référence	Désignation
1	20639	Complete X-SCREED small model rear bonnet
2	11735	Inox mushroom head screw M 5 x 16
3	20529	
4	80269	Grower washer ø 8
5	30292	ø 8 inox large washer
6	11544	THEF 8 x 25 screw
7	90130	5 x 16 countersunk head screw
8	13111	Large hood locking adjustable locking clamp - C.P 60
9	30290	ø 5 large washer
10	70086	M 5 nylstop inox nut

## X-SCREED D60 dry screed machine - stage V 42kW - Hydraulic tank

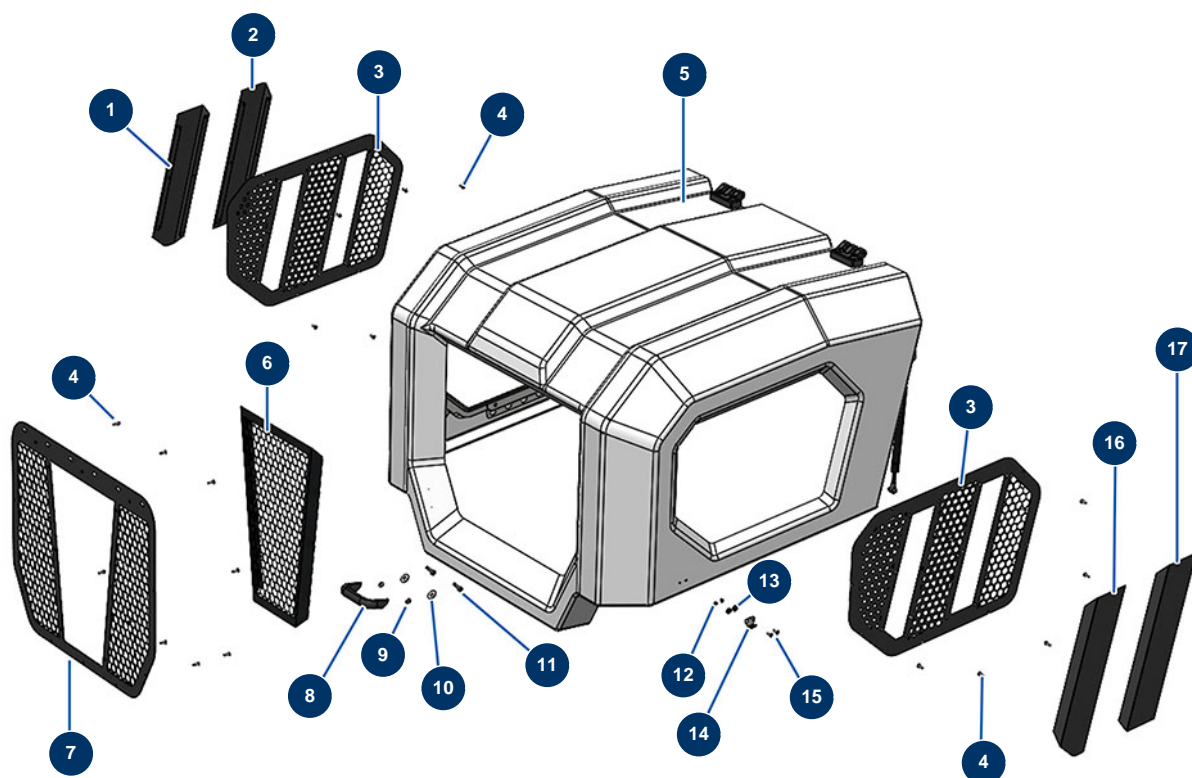


### Détails des pièces

Pos.	Référence	Désignation
1	12326	Visual level of hydraulic tank - CP 60
2	12780	Hydraulic tank gasket Ø 140 Thickness 3 mm - C.P 60
3	C20659	Tank cover
4	30256	ø 8 inox narrow washer
5	80269	Grower washer ø 8
6	11544	THEF 8 x 25 screw
7	12327	Hydraulic oil return complete filter - JET 750
8	11545	THEF 8 x 35 inox screw
9	30292	ø 8 inox large washer
10	12572	Steel gasket for 1" hollow screw with lip
11	12569	3/4" MaleD x 1" MaleD high-pressure nipple
12	91031	Steel gasket for hollow screw with 3/8 lip
13	80276	3/8" MaleD x 3/8" MaleC high-pressure nipple

<b>Pos.</b>	<b>Référence</b>	<b>Désignation</b>
14	91032	Steel gasket for hollow screw with 1/2" lip
15	90627	1/2" MaleD x 1/2" MaleD high-pressure nipple
16	90239	1/2" low-pressure male plug
17	12328	1" inner threaded suction strainer - JET 750 & C.P 60
18	70031	Drain valve for EUROPRO 4-6-8-14 P, MPE, AG, 7000z, 9000z
19	14679	3/4" inner threaded suction strainer - CP 60
20	11382	Red handle valve F3/4" x F3/4"
21	12733	1/2" MaleD x 3/4" MaleD high-pressure nipple

## X-SCREED D60 dry screed machine - stage V 42kW - Front bonnet

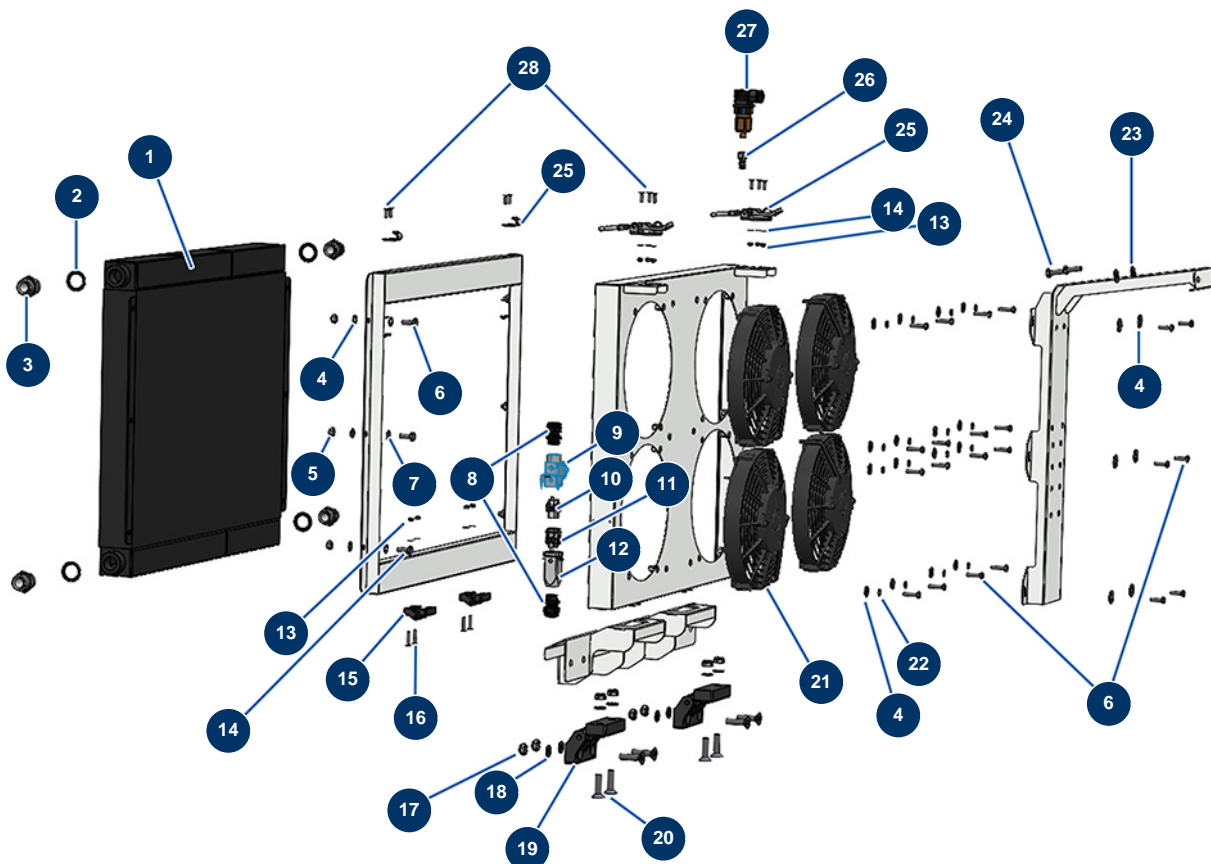


### Détails des pièces

Pos.	Référence	Désignation
1	C23094CST	
2	C23095CST	
3	C23098CST	
3	C23098	3
4	11735	Inox mushroom head screw M 5 x 16
5	20638	Complete X-SCREED large model front bonnet
6	C23092CST	
7	C23093CST	
8	20529	
9	80269	Grower washer ø 8
10	30292	ø 8 inox large washer
11	11544	THEF 8 x 25 screw
12	70086	M 5 nylstop inox nut

<b>Pos.</b>	<b>Référence</b>	<b>Désignation</b>
13	30290	ø 5 large washer
14	13111	Large hood locking adjustable locking clamp - C.P 60
15	90130	5 x 16 countersunk head screw
16	C23096CST	
17	C23097CST	

## X-SCREED D60 dry screed machine - stage V 42kW - Radiator

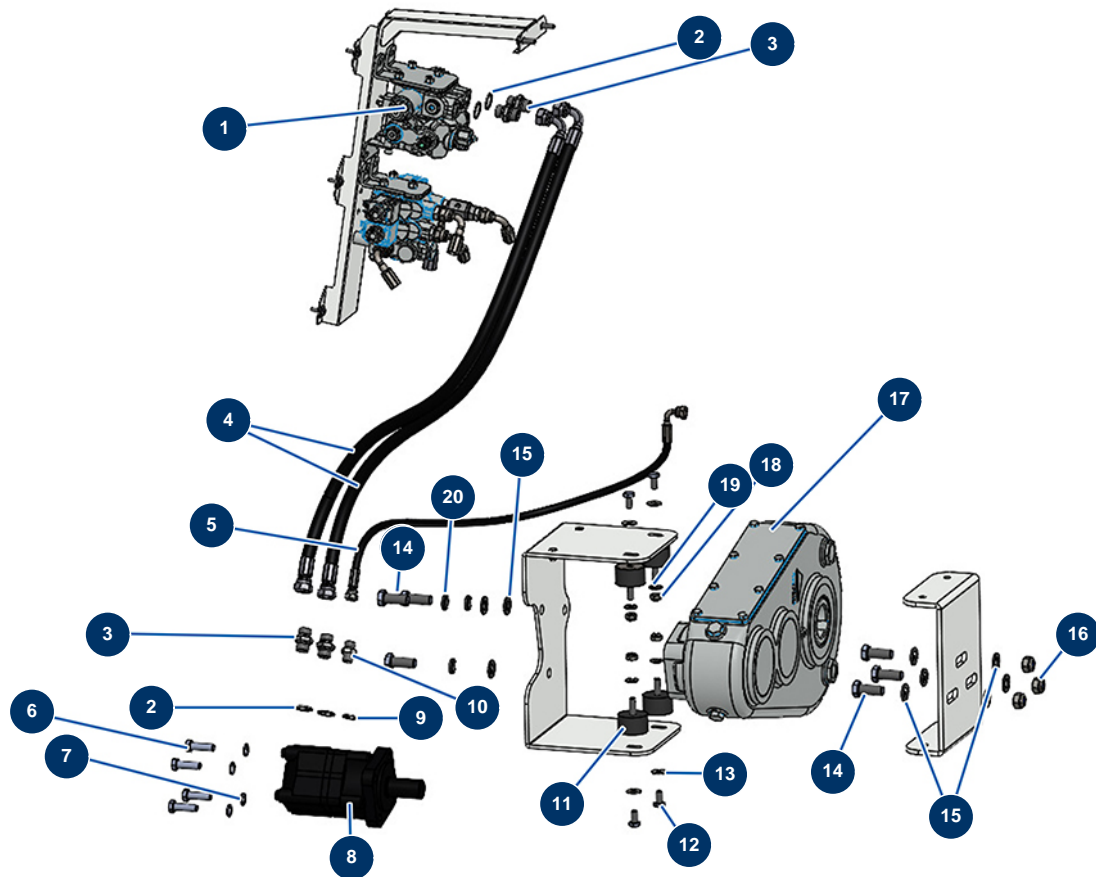


### Détails des pièces

Pos.	Référence	Désignation
1	20698	Engine/Hydraulic oil cooler RL - X-PRO 200
2	12573	Steel gasket for 3/4" hollow screw with lip
3	90774	3/4" MaleD x 3/4" MaleD high-pressure nipple
4	30291	ø 6 large washer
5	20004	M 6 nylstop nut
6	14218	THEF 6 x 25 inox screw
7	70087	ø 6 inox narrow washer
8	11622	Black plastic packing M 20
9	20507	
10	11914	Female insert 4p + G
11	11913	Blowing machine male insert 4 p + T
12	11916	Blowing machine insulating cover 3 p + T
13	11880	M 5 nylstop nut

Pos.	Référence	Désignation
14	70085	ø 5 narrow washer
15	13306	10 x 8 x 100 parallel key with round end
16	12135	5 x 20 countersunk head screw
17	60013	M 10 nylstop nut
18	30280	ø 10 inox narrow washer
19	12797	Hood hinge - C.P 60
20	14499	10 x 40 countersunk head screw
21	14655	
22	80268	Grower washer Ø 6 - C.P 60
23	30292	ø 8 inox large washer
24	11544	THEF 8 x 25 screw
25	13111	Large hood locking adjustable locking clamp - C.P 60
26	20400	
27	20465	
28	90130	5 x 16 countersunk head screw

## X-SCREED D60 dry screed machine - stage V 42kW - Hydraulic gearbox

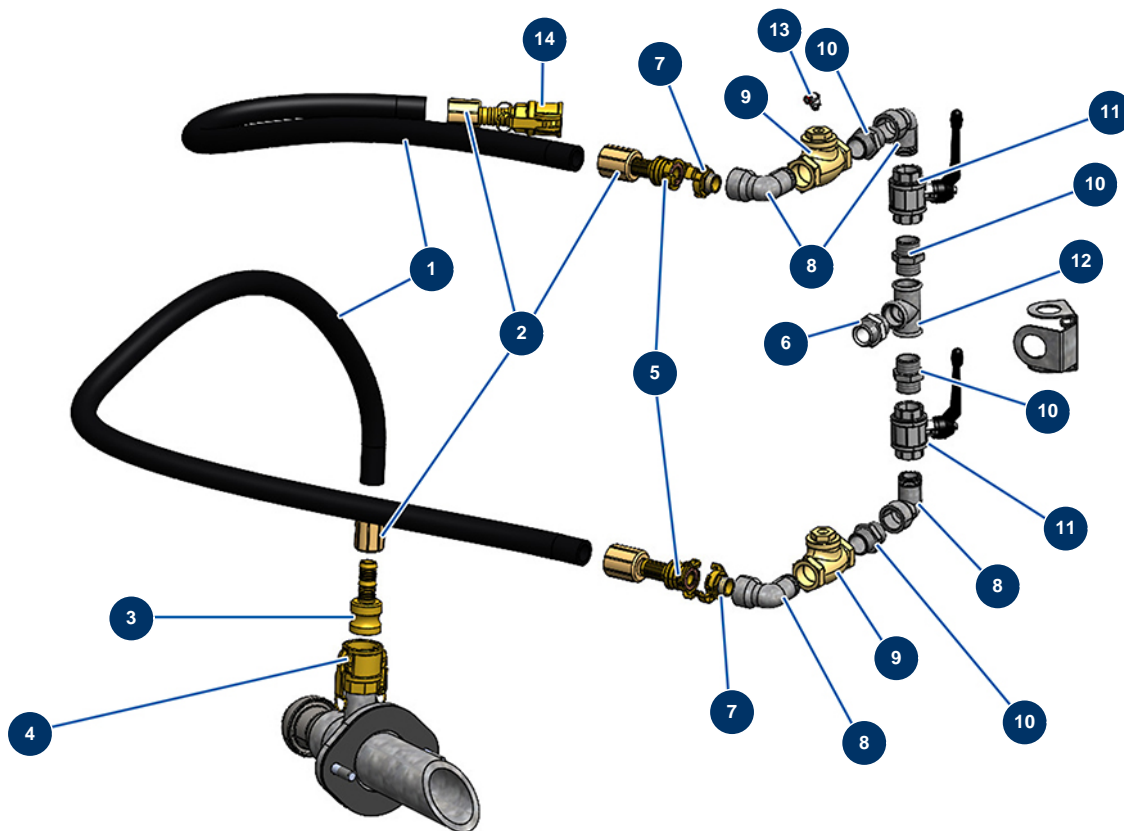


### Détails des pièces

Pos.	Référence	Désignation
1	20383	
2	91032	Steel gasket for hollow screw with 1/2" lip
3	90627	1/2" MaleD x 1/2" MaleD high-pressure nipple
4	20587	
5	20676	Hydraulic motor to hydraulic tank return hose for X-SCREED
6	20640	12 x 40 cylindrical head screw
7	12462	Grower washer ø 12
8	20132	OMS 125 hydraulic motor
9	91016	Steel gasket for hollow screw with 1/4 lip
10	90704	1/4" MaleD x 3/8" MaleD high-pressure nipple
11	20535	
12	12466	8 x 75 cylindrical head screw
13	30292	ø 8 inox large washer

<b>Pos.</b>	<b>Référence</b>	<b>Désignation</b>
14	20685	THEF 16 x 40 screw
15	30288	∅ 16 inox narrow washer
16	90491	M 16 nylstop nut
17	20133	
18	90127	M 8 nylstop nut
19	30280	∅ 10 inox narrow washer
20	20374	127 ∅ 16 grower washer

## X-SCREED D60 dry screed machine - stage V 42kW - Air system

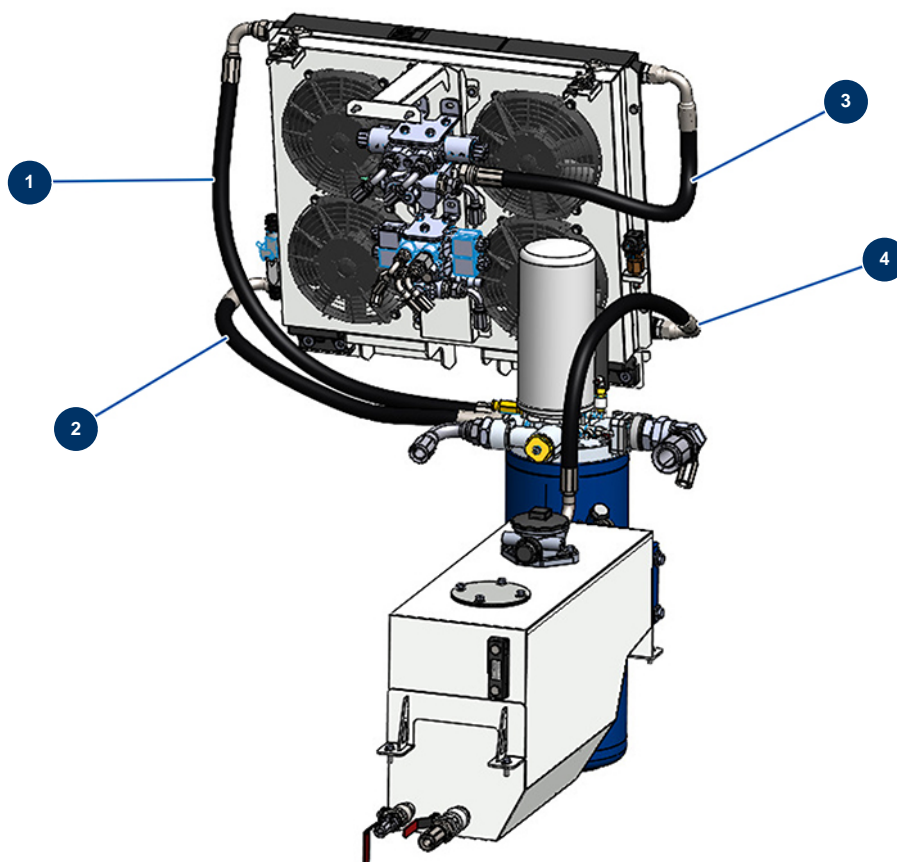


### Détails des pièces

Pos.	Référence	Désignation
1	10268	Spray hose 25 x 37 by the metre
2	12434	
3	12517	1"1/4 steel adapter, corrugated ø 25
4	12376	1"1/4 camlock steel coupling, inner threaded 1"1/2 - CP 60
5	MI3A00100125	Corrugated quick-fit Geka coupling of 27
6	20574	
7	13574	1" GEKA outer threaded coupling
8	12870	Elbow BP 90° 1" MaleC x 1" FemaleD
9	20338	PTFE 1" non-return valve
10	20335	
11	20261	
12	20336	
13	20395	

<b>Pos.</b>	<b>Référence</b>	<b>Désignation</b>
14	12433	

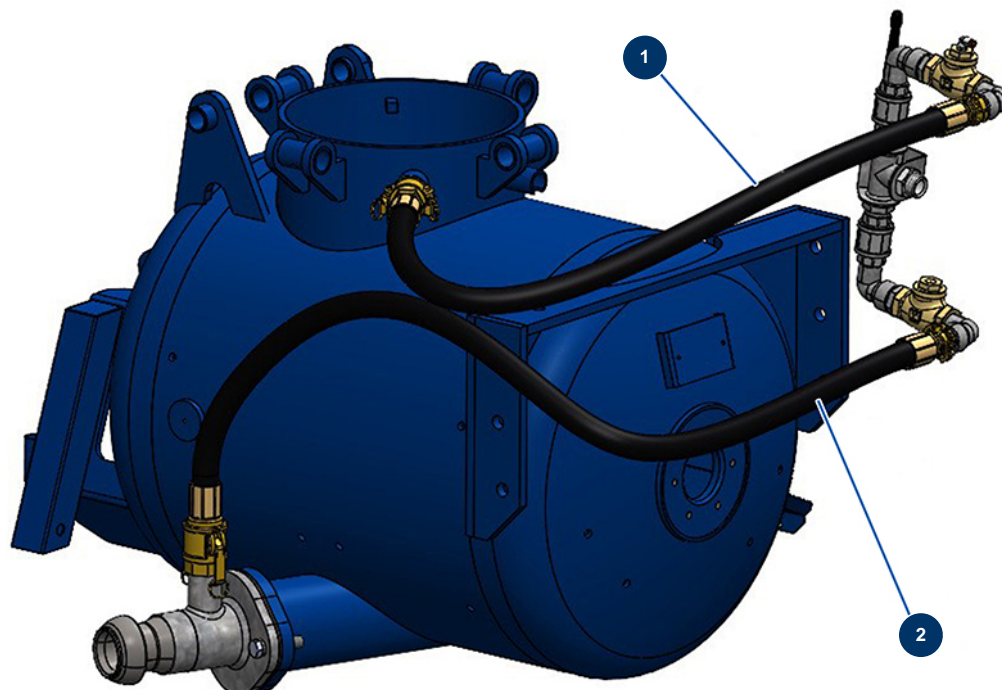
## X-SCREED D60 dry screed machine - stage V 42kW - Radiator hoses



### Détails des pièces

Pos.	Référence	Désignation
1	20720	
2	20577	
3	20588	
4	20589	

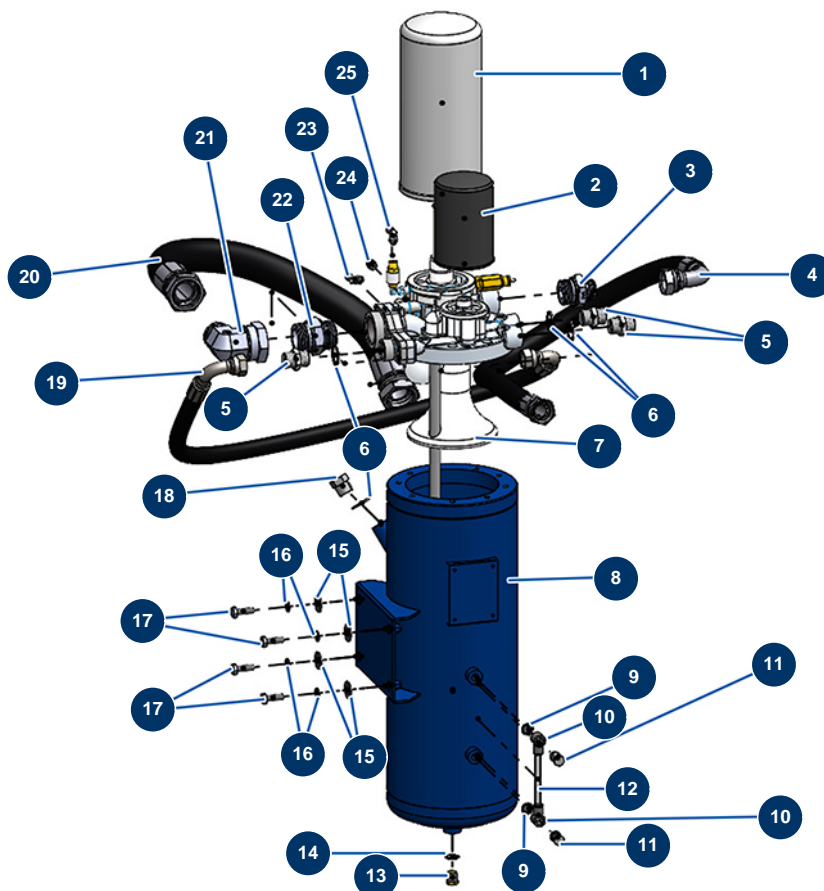
**X-SCREED D60 dry screed machine - stage V 42kW - Air inlet and outlet hoses**



**Détails des pièces**

Pos.	Référence	Désignation
1	20574	
2	20575	

## X-SCREED D60 dry screed machine - stage V 42kW - Hydraulic separator

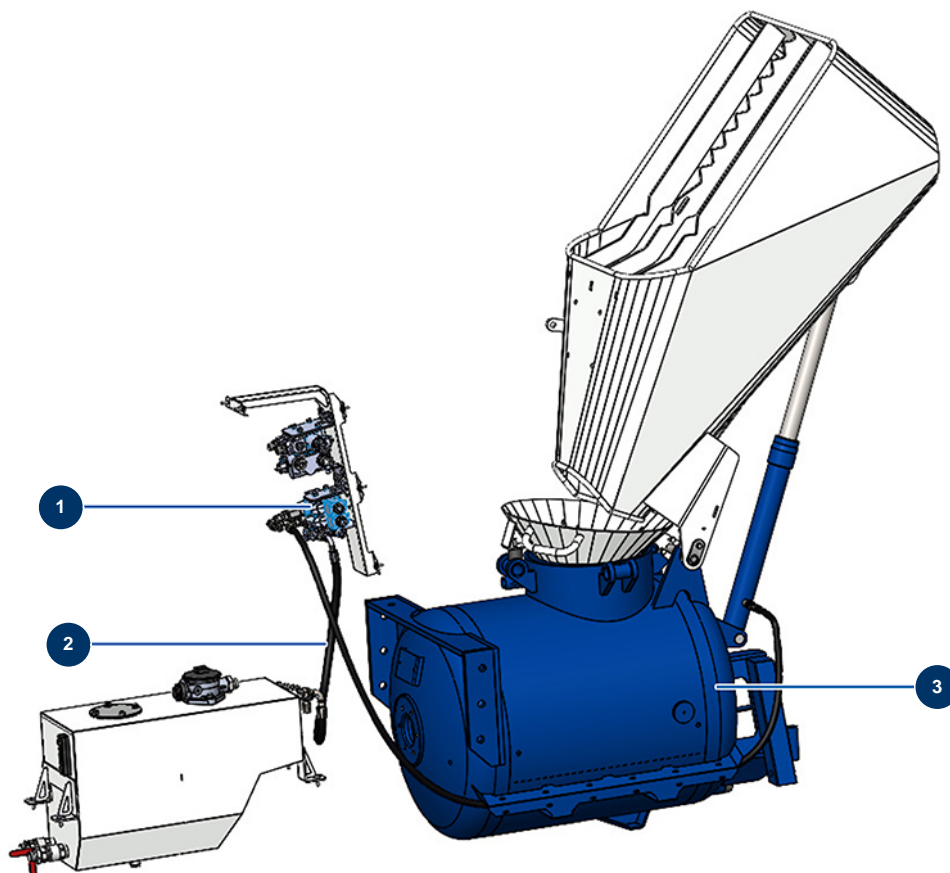


### Détails des pièces

Pos.	Référence	Désignation
1	20269	
2	20270	
3	12568	1" MaleD x 1" MaleD high-pressure nipple
4	20579	
5	90774	3/4" MaleD x 3/4" MaleD high-pressure nipple
6	12573	Steel gasket for 3/4" hollow screw with lip
7	20268	
8	20300	
9	91016	Steel gasket for hollow screw with 1/4 lip
10	20404	
11	20401	1/4" socket head screw
12	20403	
13	80607	3/8" high-pressure MaleC plug

Pos.	Référence	Désignation
14	91031	Steel gasket for hollow screw with 3/8 lip
15	30293	ø 10 inox large washer
16	80270	Grower washer ø 10
17	30258	THEF 10 x 30 screw
18	20537	3/4" high-pressure MaleC plug
19	20578	
20	20580	
21	20439	1"1/2 MaleD x 1"1/2 revolving Female 90° high-pressure elbow
22	20438	
23	20935	23
24	20399	
25	20395	

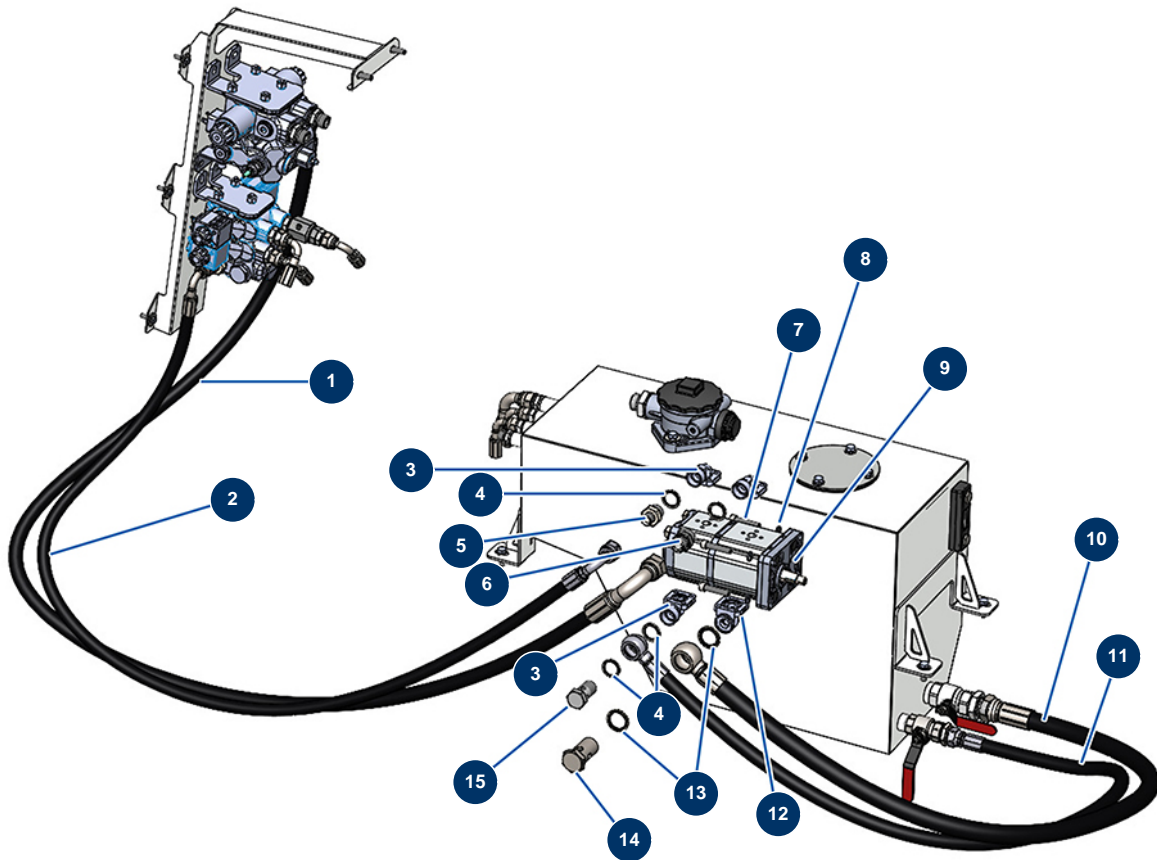
**X-SCREED D60 dry screed machine - stage V 42kW - Hoses hopper**



**Détails des pièces**

Pos.	Référence	Désignation
1	20137	
2	20595	
3	20590	

## X-SCREED D60 dry screed machine - stage V 42kW - Hydraulic Pump



### Détails des pièces

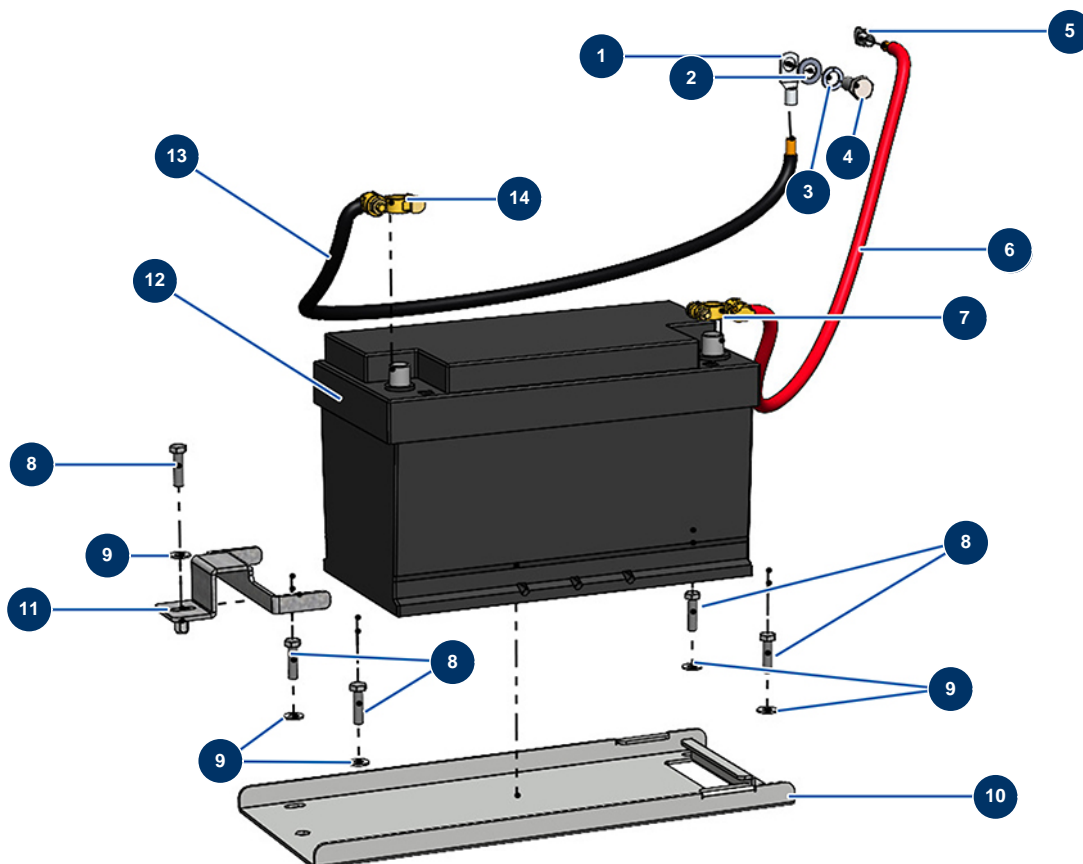
Pos.	Référence	Désignation
1	20583	
2	20584	
3	20135	
4	91032	Steel gasket for hollow screw with 1/2" lip
5	90872	1/2" MaleD x 3/8" MaleD high-pressure nipple
6	90627	1/2" MaleD x 1/2" MaleD high-pressure nipple
7	12246	8 x 40 cylindrical head screw
8	80269	Grower washer ø 8
9	20131	
10	20581	
11	20582	
12	20136	
13	12573	Steel gasket for 3/4" hollow screw with lip

<b>Pos.</b>	<b>Référence</b>	<b>Désignation</b>
14	13307	3/4 HP drilled head screw
15	13285	1/2 drilled head screw ø 21



<b>Pos.</b>	<b>Référence</b>	<b>Désignation</b>
14	20324	X-SCREED hopper articulated shaft bronze washer
15	20339	
16	10141	∅ 20 inox narrow washer
17	20364	
18	C23184	
19	90127	M 8 nylstop nut
20	90767	∅ 40 x 35 M10 stop
21	30295	THEF 8 x 16 screw
22	C23185CST	

## X-SCREED D60 dry screed machine - stage V 42kW - Battery

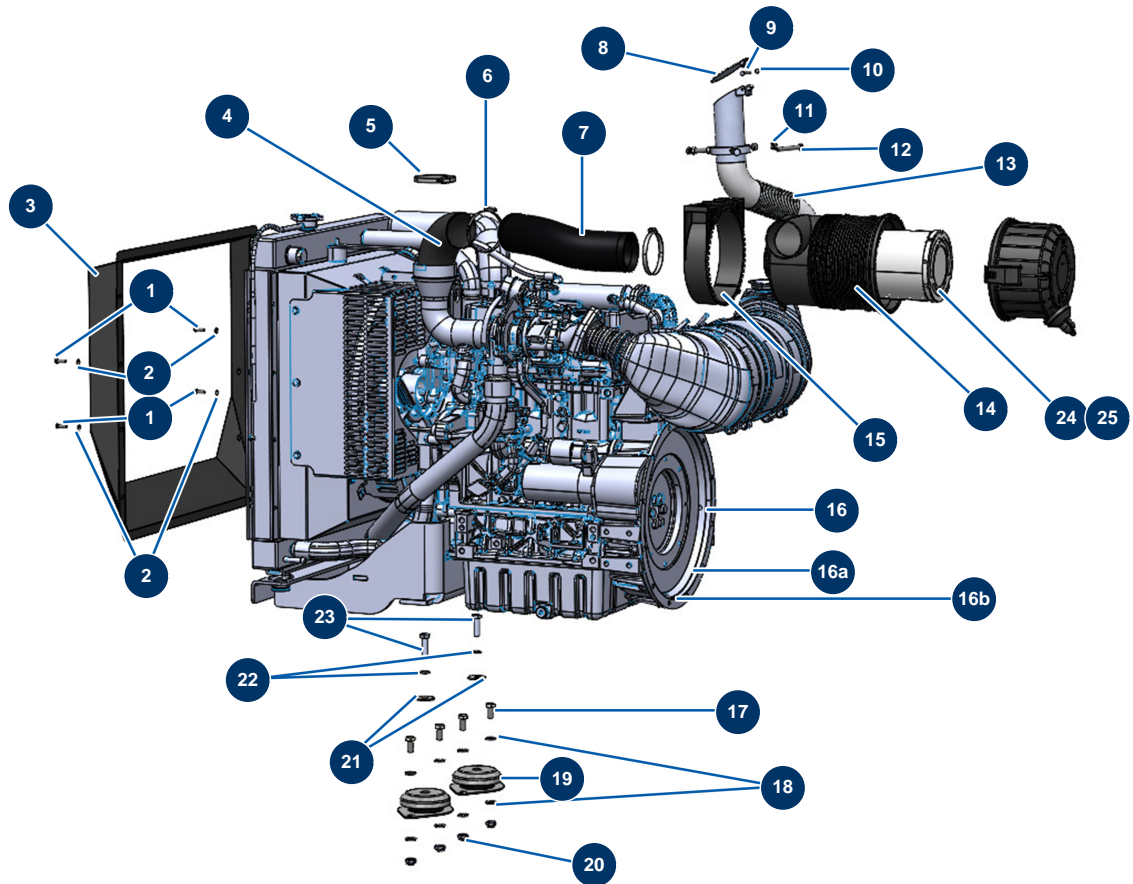


### Détails des pièces

Pos.	Référence	Désignation
1	20250	Solder lug on 35 mm <sup>2</sup> wire with ø 12 hole
2	30281	ø 12 inox narrow washer
3	12462	Grower washer ø 12
4	12251	THEF 12 x 25 screw
5	20249	Solder lug on 35 mm <sup>2</sup> wire with ø 8 hole
6	20233	35 mm <sup>2</sup> red battery cable by the metre
7	14572	Self-clamping battery terminal + red
8	11544	THEF 8 x 25 screw
9	30292	ø 8 inox large washer
10	C23165CST	
11	C23248CST	
12	20257	110 Ah (+D) battery
13	20234	35 mm <sup>2</sup> black battery cable by the metre

<b>Pos.</b>	<b>Référence</b>	<b>Désignation</b>
14	14573	Self-clamping battery terminal - blue

## X-SCREED D60 dry screed machine - stage V 42kW - Motor

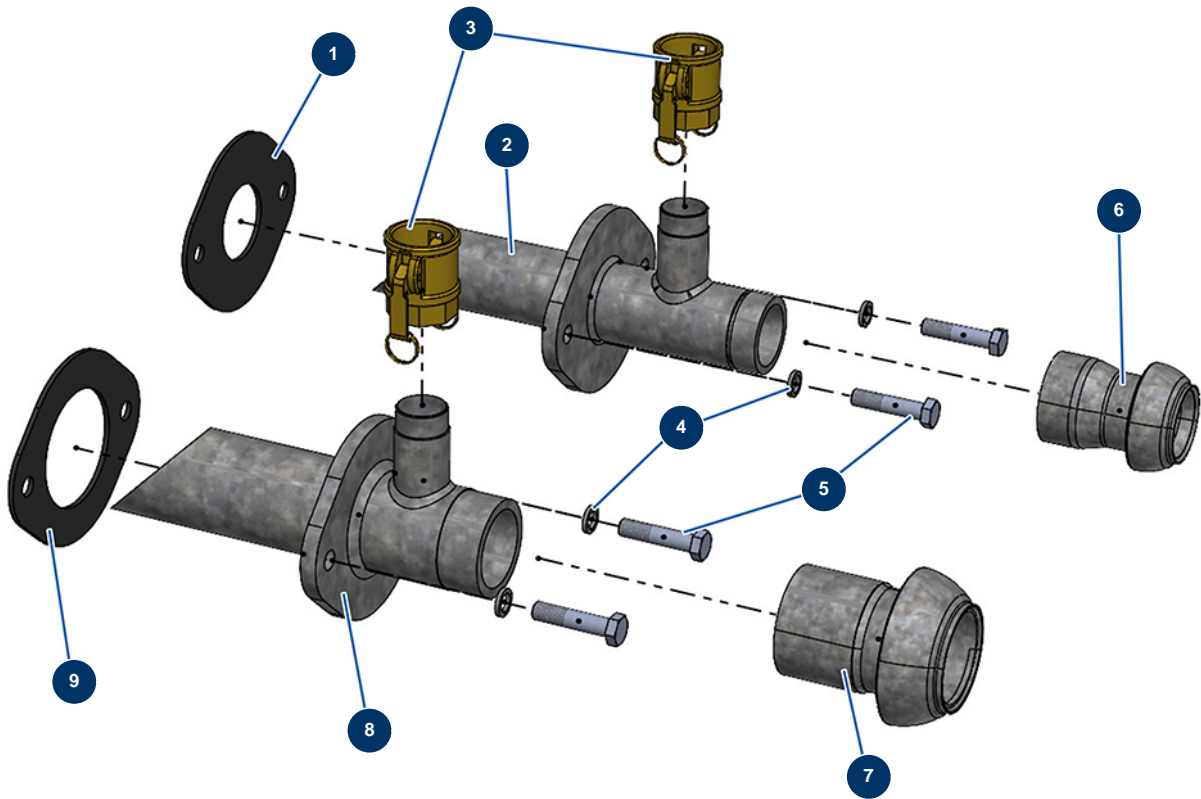


### Détails des pièces

Pos.	Référence	Désignation
1	14539	THEF 6 x 20 screw
2	70087	∅ 6 inox narrow washer
3	C23169CST	
4	20386	
5	20385	
6	20484	
7	20357	
8	C23103	
9	20602	THEF 5 x 40 inox screw
10	11880	M 5 nylstop nut
11	14075	M 8 inox nut
12	12450	THEF 8 x 60 screw
13	C23239CST	

Pos.	Référence	Désignation
14	20271	
15	20272	
16	20021	Diesel motor KOHLER KDI 1903 42kW
16a	20735	KDW1404 motor oil filter
16b	20736	27 hp LOMBARDINI motor diesel filter
17	12251	THEF 12 x 25 screw
18	30281	ø 12 inox narrow washer
19	20265	Silentbloc for X-SCREED motor plate
20	10051	M 12 nylstop nut
21	30294	ø 12 inox large washer
22	12462	Grower washer ø 12
23	12928	THEF 12 x 40 screw
24	20869	Donaldson filter standard air cartridge for KOHLER KDI 1903 motors
25	20870	Donaldson filter safety air cartridge for KOHLER KDI 1903 motors

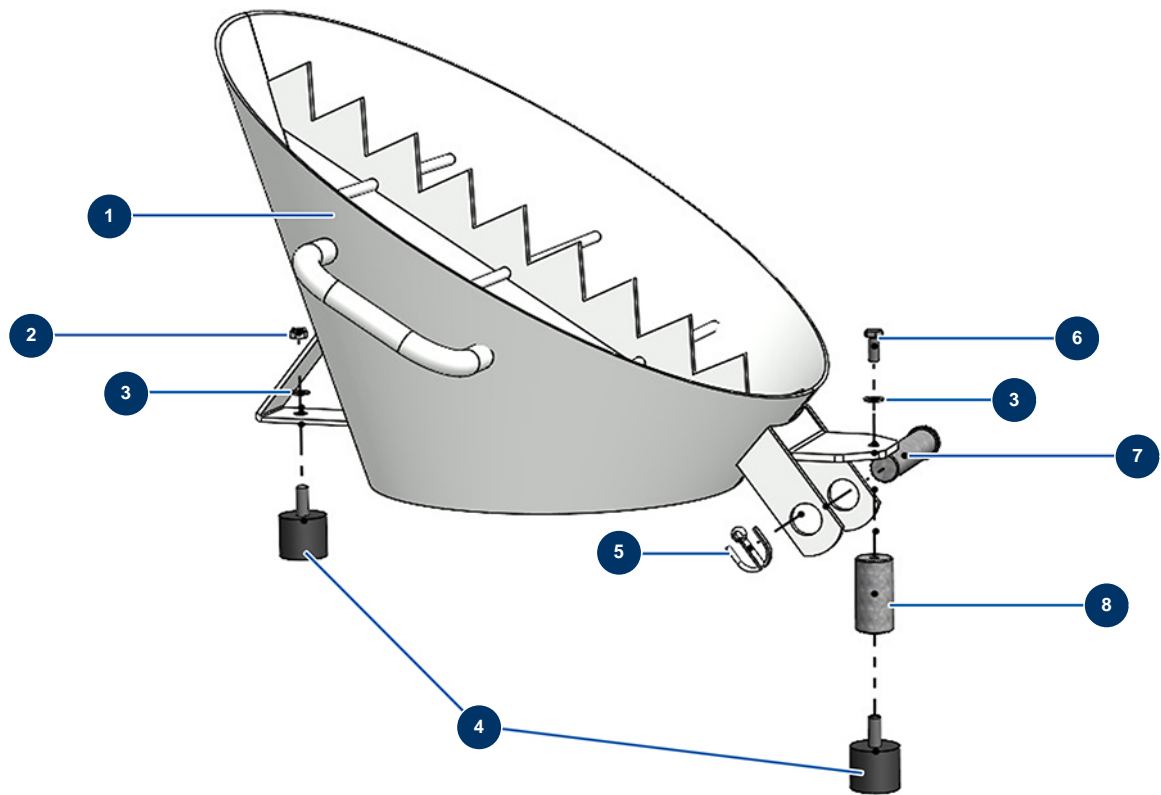
**X-SCREED D60 dry screed machine - stage V 42kW - Product outputs**



**Détails des pièces**

Pos.	Référence	Désignation
1	20461	
2	20327	
3	12376	1"1/4 camlock steel coupling, inner threaded 1"1/2 - CP 60
4	20374	127 ø 16 grower washer
5	20369	THEF 16 x 70 screw
6	20450	
7	20451	
8	20326	
9	20462	

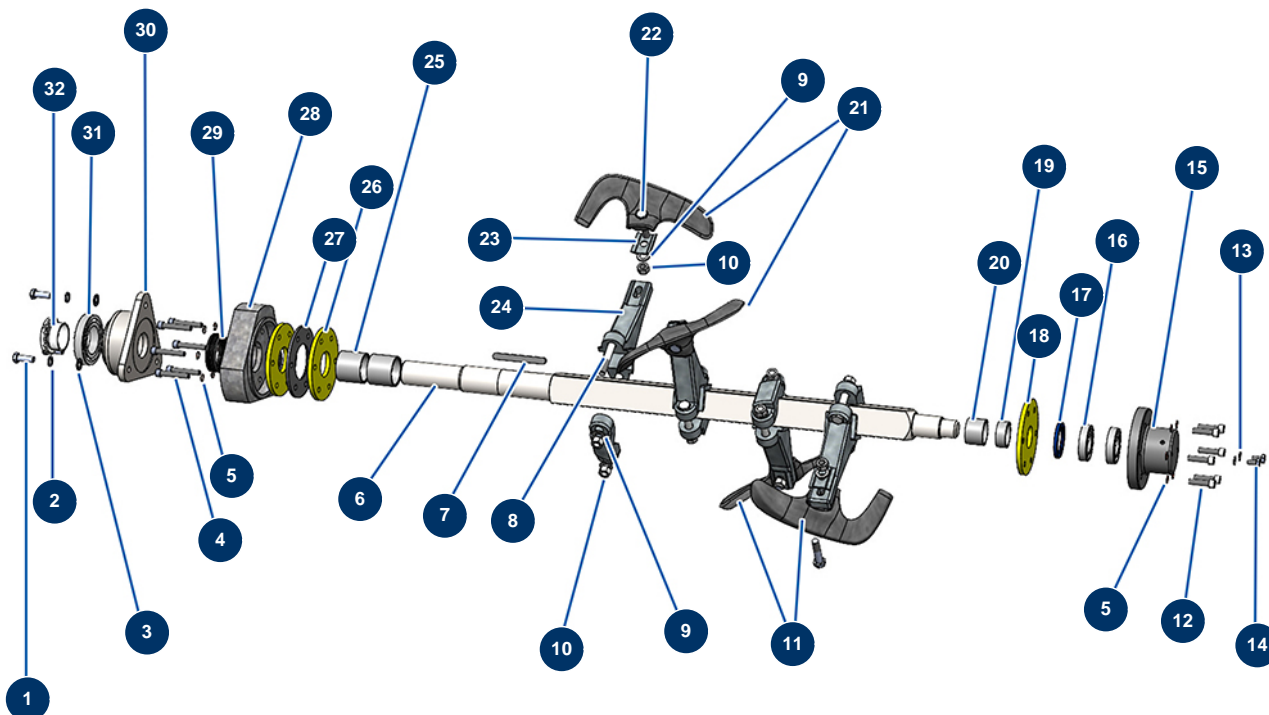
**X-SCREED D60 dry screed machine - stage V 42kW - Standard receiver cone**



**Détails des pièces**

Pos.	Référence	Désignation
1	C23253CST	
2	90127	M 8 nylstop nut
3	30256	ø 8 inox narrow washer
4	90767	Ø 40 x 35 M10 stop
5	20436	
6	30273	THEF 8 x 20 screw
7	20321	
8	20325	

## X-SCREED D60 dry screed machine - stage V 42kW - Mixer tank pin

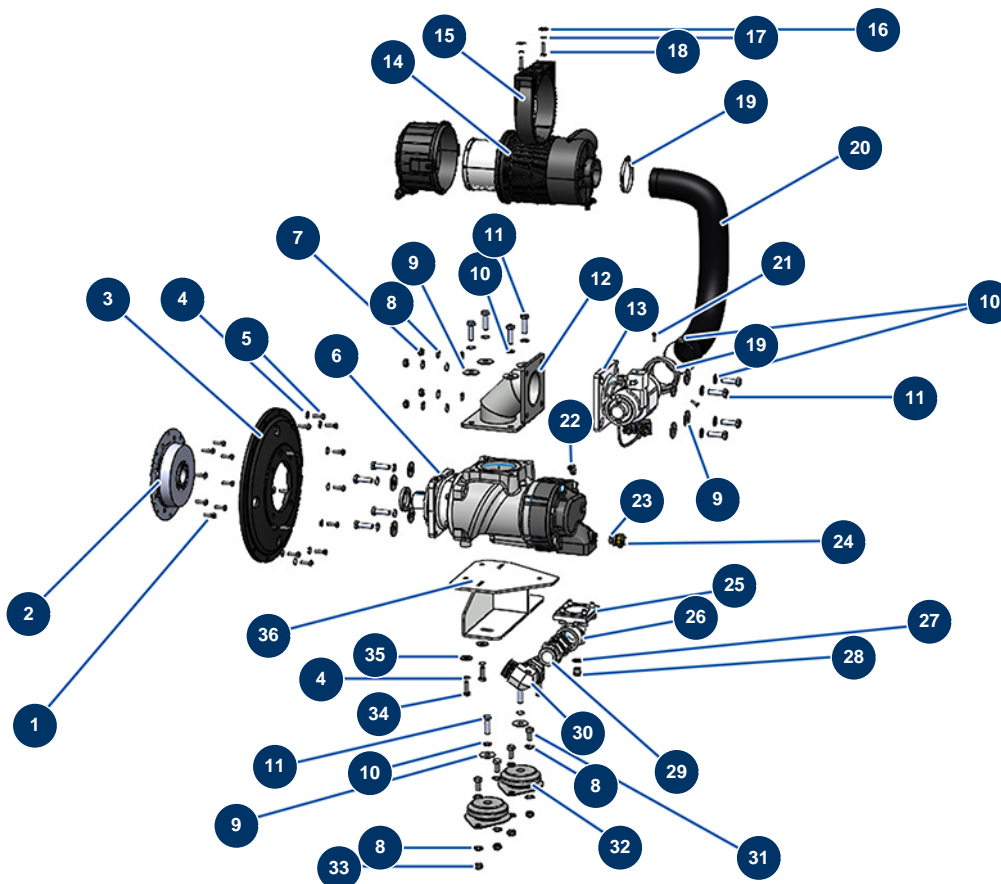


### Détails des pièces

Pos.	Référence	Désignation
1	12460	THEF 14 x 40 screw
2	30286	ø 14 inox narrow washer
3	20293	127 ø 14 grower washer
4	20360	12 x 70 cylindrical head screw
5	20109	
6	20330	
7	20738	10 x 8 x 100 shaft key with rounded end
8	20370	THEF 16 x 110 screw
9	30274	MP 18 spray-gun gasket kit
9	20374	127 ø 16 grower washer
10	80066	M 16 nut
11	20219	X-SCREED D60 mixer left paddle
12	12782	12 x 45 cylindrical head screw

Pos.	Référence	Désignation
13	30280	ø 10 inox narrow washer
14	12446	THEF 10 x 20 screw
15	20319	
16	20277	
17	20278	
18	20223	
19	20279	
20	20280	
21	20218	X-SCREED D60 mixer right paddle
22	20369	THEF 16 x 70 screw
23	20259	
24	20221	X-SCREED D60 mixer blade flange
25	20281	
26	20222	
27	20317	
28	20318	
29	20282	
30	20283	
31	20286	
32	20285	

## X-SCREED D60 dry screed machine - stage V 42kW - Screw compressor

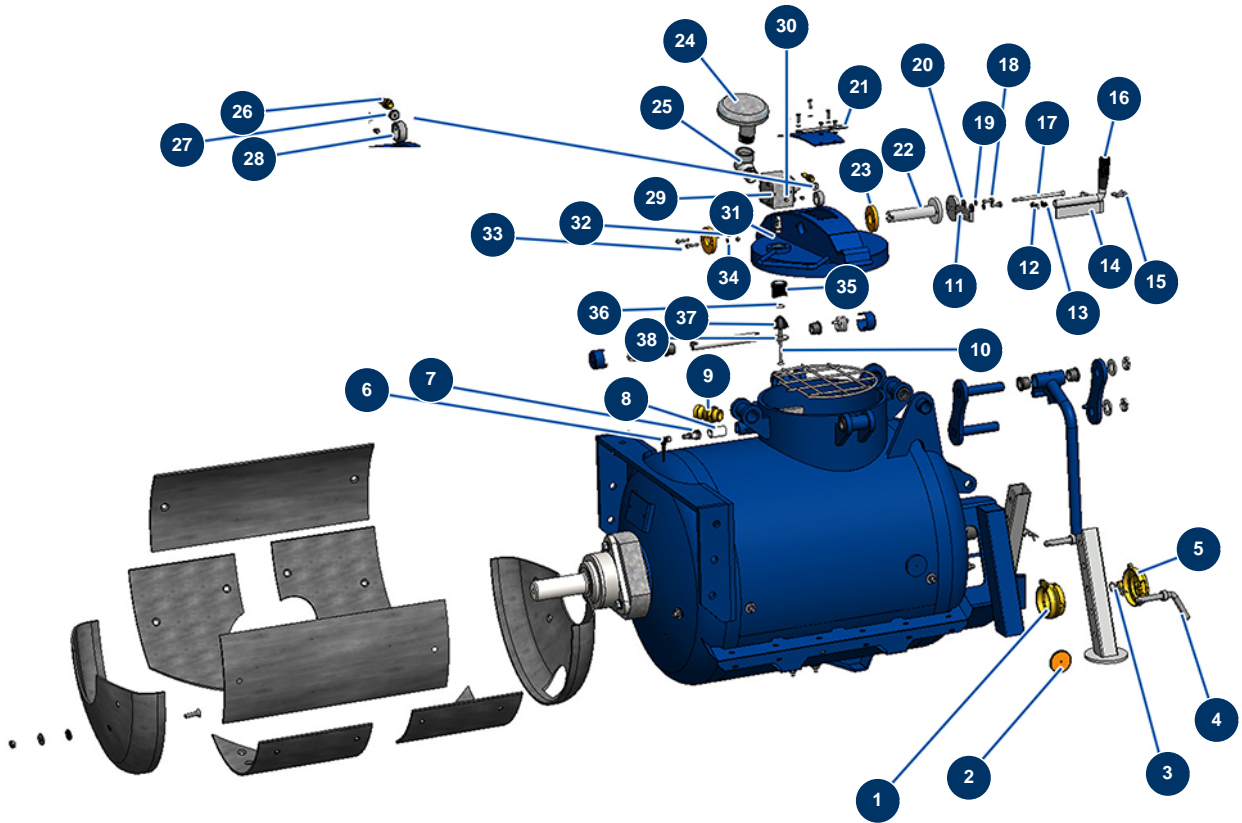


### Détails des pièces

Pos.	Référence	Désignation
1	20200	THEF DIN933 8.8 5/16 UNC x 25 screw
2	20239	
3	20240	
4	80270	Grower washer ø 10
5	20703	
6	20266	X-SCREED screw compression head
7	90453	M 10 nut
8	30281	ø 12 inox narrow washer
9	30294	ø 12 inox large washer
10	12462	Grower washer ø 12
11	12928	THEF 12 x 40 screw
12	C23172CST	
13	20267	12 V-DC X-SCREED suction group

Pos.	Référence	Désignation
14	20271	
15	20272	
16	30292	ø 8 inox large washer
17	80269	Grower washer ø 8
18	30205	THEF 8 x 30 screw
19	20484	
20	20357	
21	12069	THEF 6 x 16 screw
22	20396	
23	90239	1/2" low-pressure male plug
24	20480	
25	20377	
26	20440	
27	91031	Steel gasket for hollow screw with 3/8 lip
28	80607	3/8" high-pressure MaleC plug
29	20438	
30	20439	1"1/2 MaleD x 1"1/2 revolving Female 90° high-pressure elbow
31	12251	THEF 12 x 25 screw
32	20265	Silentbloc for X-SCREED motor plate
33	10051	M 12 nylstop nut
34	30258	THEF 10 x 30 screw
35	30293	ø 10 inox large washer
36	C23168CST	

X-SCREED D60 dry screed machine - stage V 42kW - Mixing tank REF1

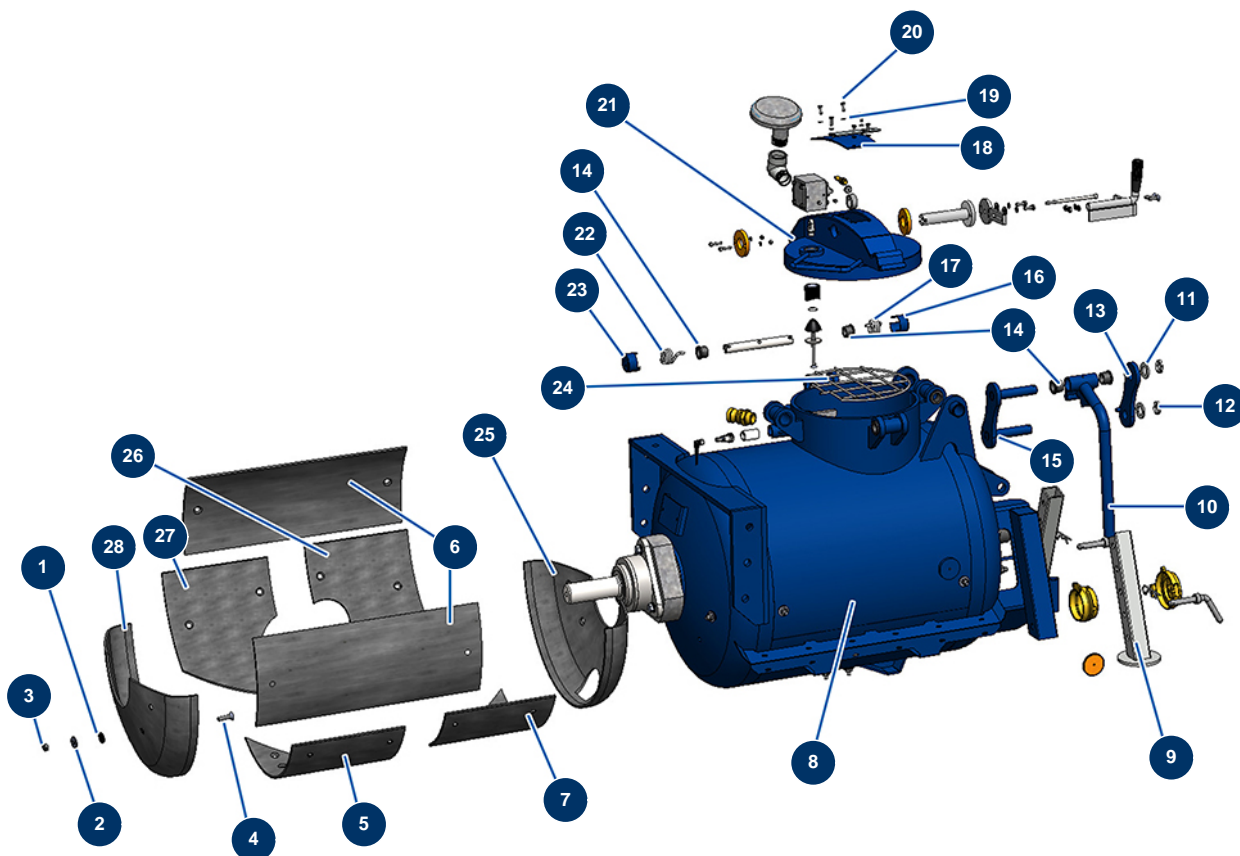


Détails des pièces

Pos.	Référence	Désignation
1	20443	
2	12361	Round & orange reflector - C.P 60
3	20046	4 mm R pin
4	20236	Support leg pin X-PRO D
5	20444	
6	MI3C01900901	
7	MI3C01900900	
8	20315	
9	11954	1" steel adapter, outer threaded 1"
10	20737	8 x 50 countersunk head screw
11	C23219CST	
12	90127	M 8 nylstop nut
13	30256	ø 8 inox narrow washer

Pos.	Référence	Désignation
14	20309	
15	12851	8 x 30 countersunk head screw
16	20442	
17	20483	Din912 M8x150 cylindrical head screw
18	11544	THEF 8 x 25 screw
19	80269	Grower washer ø 8
20	30292	ø 8 inox large washer
21	20519	
22	20310	
23	20313	
24	20314	
25	20479	
26	MI3C01901000	
27	MI3C01901001	
28	20312	
29	20311	
30	60012	M6 straight lubricator
31	13240	
32	20004	M 6 nylstop nut
33	90153	6 x 30 cylindrical head screw
34	70087	ø 6 inox narrow washer
35	20334	
36	20427	
37	20468	Silentbloc for X-SCREED tank cover exhaust valve
38	20469	

## X-SCREED D60 dry screed machine - stage V 42kW - Mixing tank REF2

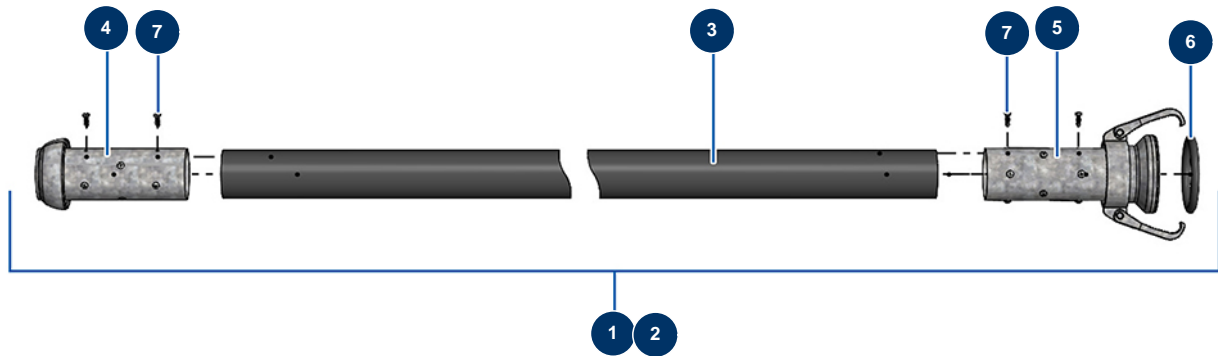


### Détails des pièces

Pos.	Référence	Désignation
1	20633	
2	30293	ø 10 inox large washer
3	60013	M 10 nylstop nut
4	14499	10 x 40 countersunk head screw
5	C23206	X-SCREED front bottom wear plate
6	C23218	X-SCREED top wear plate
7	C23205	X-SCREED rear bottom wear plate
8	20500	
9	C23157CST	
10	C23200CST	
11	10142	ø 25 inox narrow washer
12	20436	
13	C23199CST	

Pos.	Référence	Désignation
14	20339	
15	C23198CST	
16	C23197CST	
17	20275	
18	C23194CST	
19	70087	∅ 6 inox narrow washer
20	14539	THEF 6 x 20 screw
21	C23193CST	
22	20276	
23	C23196CST	
24	C23195CST	
25	C23202	X-SCREED drain end wear plate
26	C23203	X-SCREED rear bottom outlet wear plate
27	C23204	X-SCREED bottom outlet wear plate
28	C23201	X-SCREED end wear plate

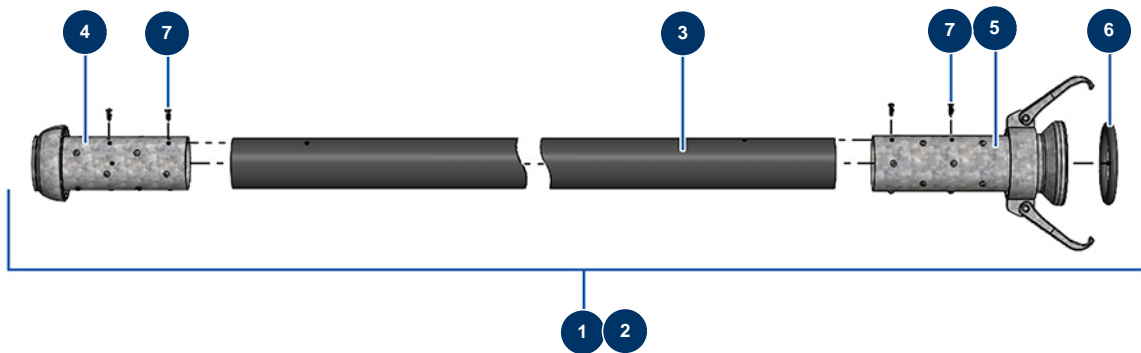
**X-SCREED D60 dry screed machine - stage V 42kW - Ø50 hoses**



**Détails des pièces**

Pos.	Référence	Désignation
1	20573	Product hose ø 50 x 10 m with X-SCREED coupling
2	20572	Product hose ø 50 x 20 m with X-SCREED coupling
3	14893	50 x 65 spraying hose per metre P.S 10 bar
4	20447	
5	20446	
6	20455	
7	20547	

**X-SCREED D60 dry screed machine - stage V 42kW - Ø65 hoses**



**Détails des pièces**

Pos.	Référence	Désignation
1	20571	Product hose ø 65 x 10 m with X-SCREED coupling
2	20570	Product hose ø 65 x 20 m with X-SCREED coupling
3	14892	65 x 84 spraying hose per metre P.S 10 bar
4	20449	
5	20448	
6	20454	
7	20547	