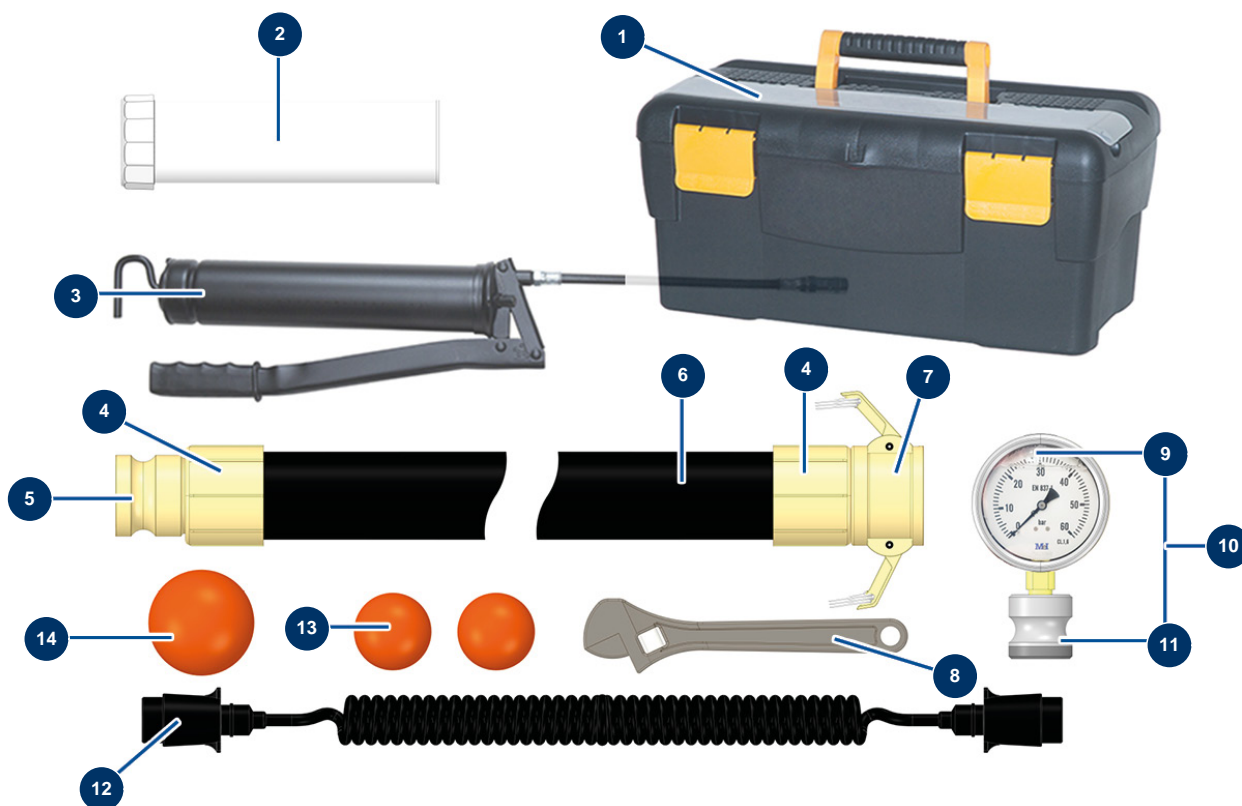


## X-PRO D140 V2 liquid screed machine - Accessories

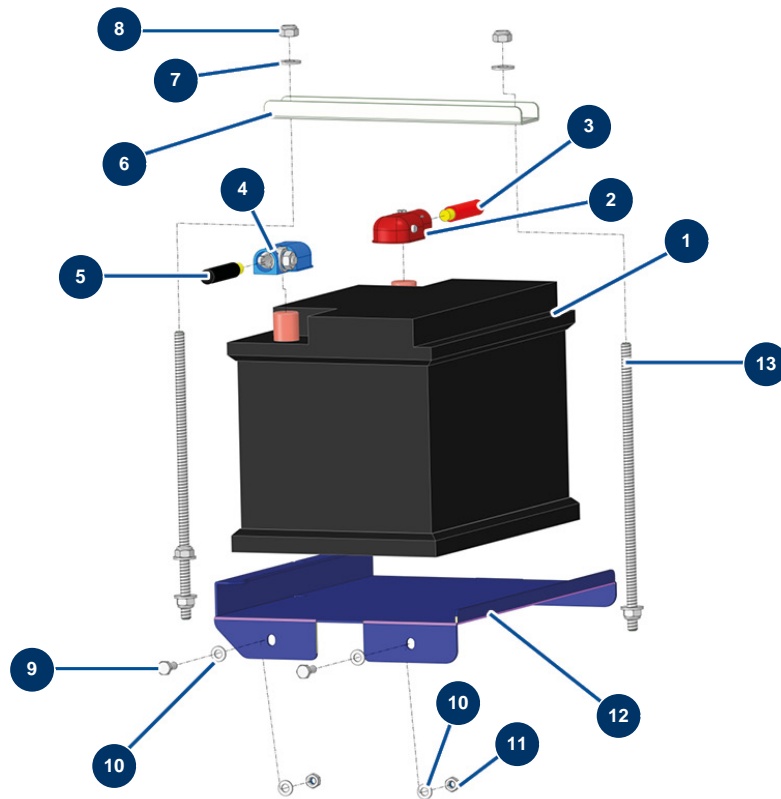


### Détails des pièces

Pos.	Référence	Désignation
1	1032155	Empty carry case for TURBO T25
2	101021	Grease pump cartridge
3	12566	Manual grease pump
4	13465	4
5	13464	2" steel adapter, corrugated Ø50
6	13411	50 x 68 spraying hose by the metre
7	13643	Product hose JETPRO Ø 16 x 12 m F1" x F1/2"
8	11116	25 cm adjustable wrench
9	20154	Oil radial manometer 1/2" conical 100 mm - 0 to 60 bar
10	20173	
11	20062	X-PRO machine manometer adapter
12	13284	7-pin metal male sockets 2.5 m x 2 spiral extender - C.P 60
13	20049	Cleaning ball ø 60

<b>Pos.</b>	<b>Référence</b>	<b>Désignation</b>
14	20048	Cleaning ball ø 100

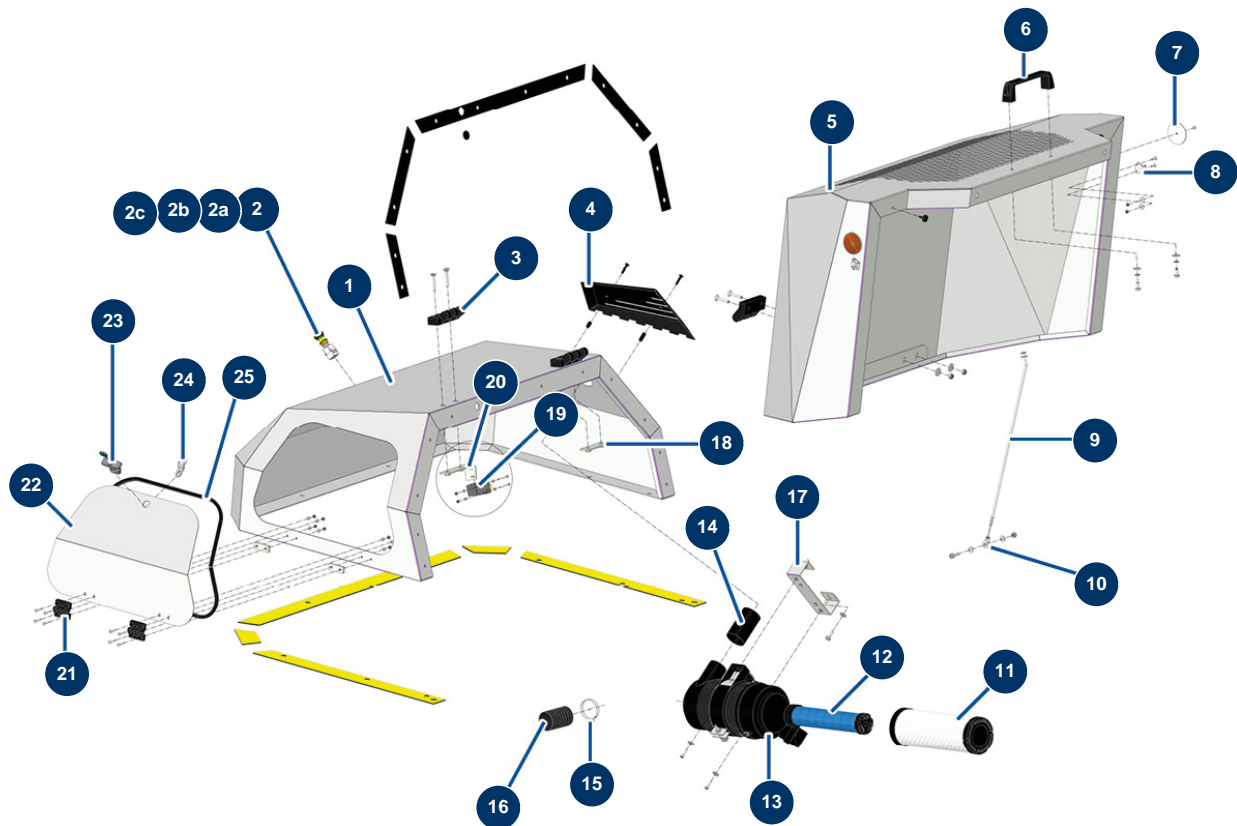
## X-PRO D140 V2 liquid screed machine - Battery



### Détails des pièces

Pos.	Référence	Désignation
1	20834	1
2	14572	Self-clamping battery terminal + red
3	20233	35 mm <sup>2</sup> red battery cable by the metre
4	14573	Self-clamping battery terminal - blue
5	20234	35 mm <sup>2</sup> black battery cable by the metre
6	C23982	6
7	80260	ø 8 inox medium washer
8	13980	M 8 nylstop inox nut
9	12069	THEF 6 x 16 screw
10	70087	ø 6 inox narrow washer
11	20004	M 6 nylstop nut
12	C23981	12
13		13

## X-PRO D140 V2 liquid screed machine - Bodywork

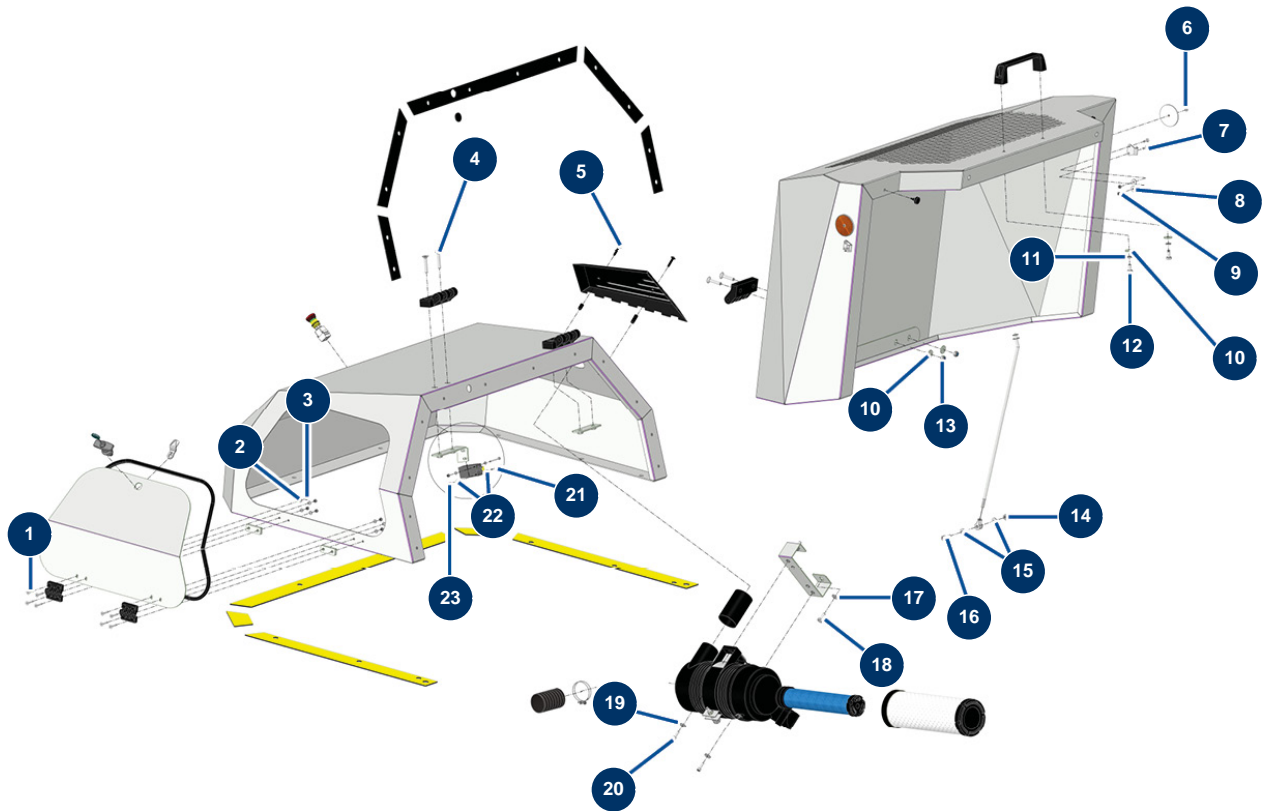


### Détails des pièces

Pos.	Référence	Désignation
1	C23743	1
2	90727	Hook emergency stop button - CP 60
2a	12664	Security switch adapter / emergency stop button - C.P 60
2b	80448	M 20 waterproof cable gland
2c	12663	Push safety switch - C.P. 60
3	12797	Hood hinge - C.P 60
4	C23749	4
5	C23756	
6	1042523	CP 60 grid handle
7	12361	Round & orange reflector - C.P 60
8	15022	Adjustable toggle locking hook
9	C23859	9
10	13240	

Pos.	Référence	Désignation
11	30762	Donaldson filter standard air cartridge for KOHLER KDW 1003 & 1404 motors
12	30763	Donaldson filter safety air cartridge for KOHLER KDW 1003 & 1404 motors
13	30761	Complete Donaldson cyclonic air filter for KOHLER KDW 1003 & 1404 engine
14	C23744	14
15	12723	Double wire clamp ø 56 x 65 - CP 60
16	12538	PVC GAS sheath Ø 50 by the metre - C.P 60
17	C23746	17
18	C23738	18
19	12663	Push safety switch - C.P. 60
20	C24070	20
21	13036	
22	C24123	22
23	15513	T-handle with X-PRO hatch key
24	15514	T-handle cam for X-PRO hatch
25	15512	Side bubble profile seal for waterproofing, sold by the meter

## X-PRO D140 V2 liquid screed machine - Bodywork (screws and bolts)

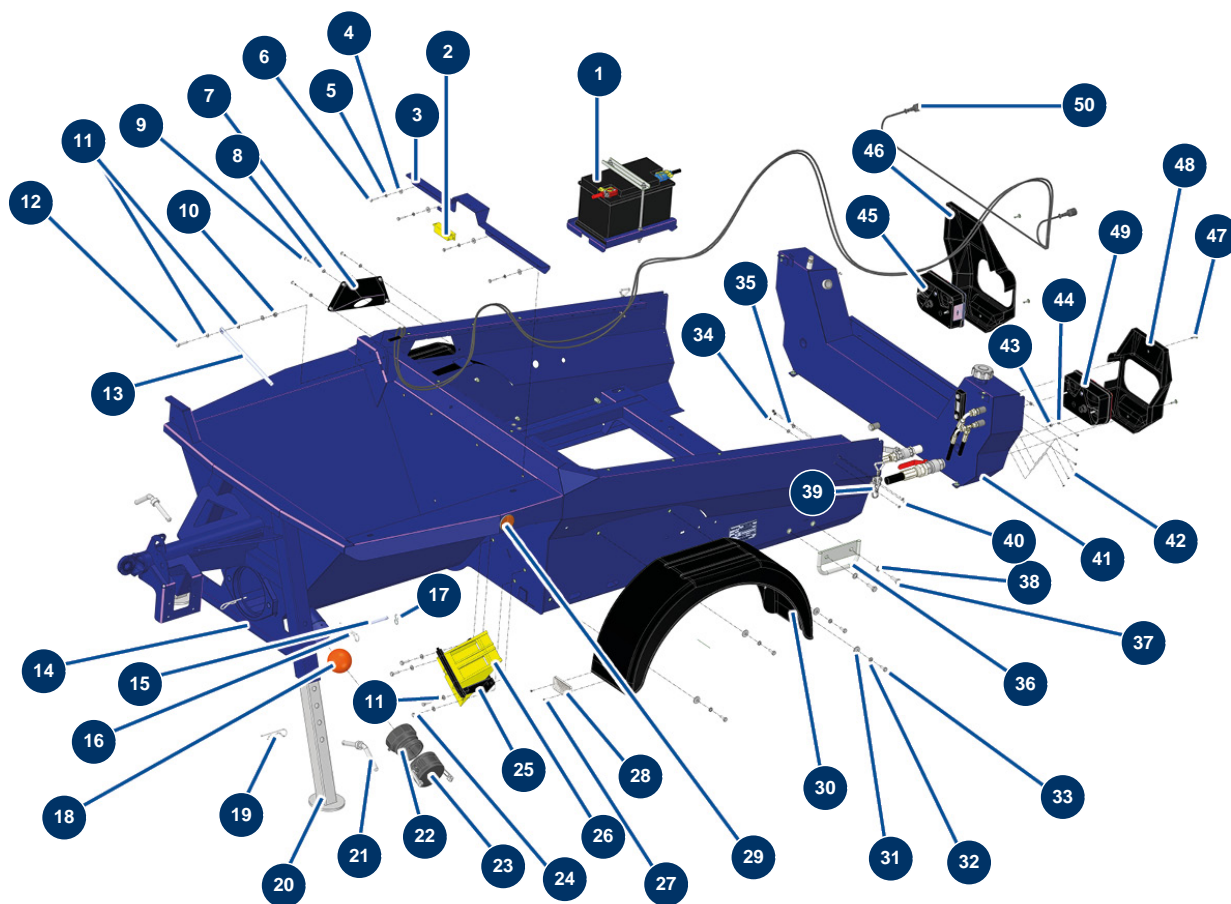


### Détails des pièces

Pos.	Référence	Désignation
1	12121	5 x 25 countersunk head screw
2	70085	ø 5 narrow washer
3	11880	M 5 nylstop nut
4	13620	8 x 45 countersunk head screw
5	15499	
6	12463	ø 5 x 16 aluminium POP rivet
7	90130	5 x 16 countersunk head screw
8	30290	ø 5 large washer
9	70086	M 5 nylstop inox nut
10	30292	ø 8 inox large washer
11	80269	Grower washer ø 8
12	30295	THEF 8 x 16 screw
13	90127	M 8 nylstop nut

Pos.	Référence	Désignation
14	13980	M 8 nylstop inox nut
15	30256	∅ 8 inox narrow washer
16	12783	8 x 25 cylindrical head screw
17	80260	∅ 8 inox medium washer
18	30273	THEF 8 x 20 screw
19	30291	∅ 6 large washer
20	90996	6 x 20 inox cylindrical head screw
21	11403	4 x 40 cylindrical head screw
22	30267	∅ 4 inox narrow washer
23	30266	M 4 nylstop nut

## X-PRO D140 V2 liquid screed machine - Chassis



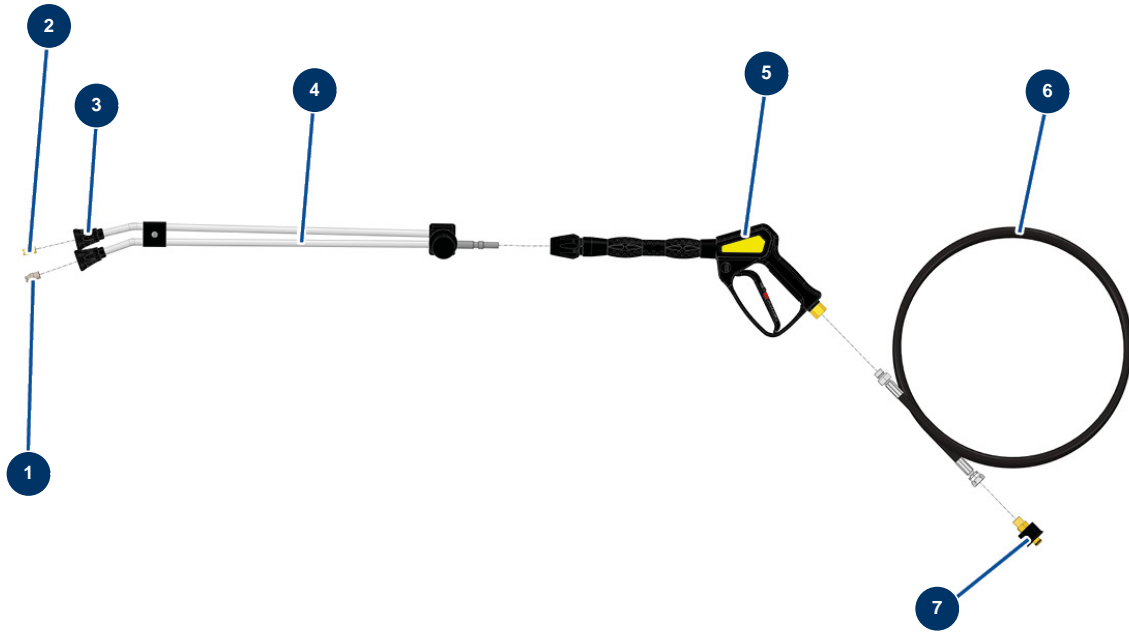
### Détails des pièces

Pos.	Référence	Désignation
1	C23982	1
2	12120	Grid safety sensor for JETMIX, MIXPRO 14, 70 & 100
3	C23222	3
4	30291	ø 6 large washer
5	80268	Grower washer Ø 6 - C.P 60
6	14218	THEF 6 x 25 inox screw
7	C23221	7
8	70087	ø 6 inox narrow washer
9	11145	6 x 16 inox cylindrical pan head screw
10	90127	M 8 nylstop nut
11	30256	ø 8 inox narrow washer
12	11545	THEF 8 x 35 inox screw
13	20705	13

Pos.	Référence	Désignation
14	C30045	14
15	20060	
16	12157	Beta pin Ø 4.5 x 70
17	20045	S-shaped hook 40 x 4 mm
18	20048	Cleaning ball ø 100
19	20046	4 mm R pin
20	C23023	20
21	20236	Support leg pin X-PRO D
22	13172	Polypro 3" threaded adapter - C.P 60
23	13171	Polypro 3" female cam plug - C.P 60
24	11544	THEF 8 x 25 screw
25	20214	X-PRO black wheel chock holder
26	20213	X-PRO D140 yellow plastic wheel chock
27	14790	ø 4 x 14 aluminium POP rivet
28	15260	Triangular red reflector
29	12361	Round & orange reflector - C.P 60
30	20212	X-PRO D200 & X-SCREED plastic mudguard
31	30292	ø 8 inox large washer
32	80269	Grower washer ø 8
33	30273	THEF 8 x 20 screw
34	11880	M 5 nylstop nut
35	11737	ø 5 inox medium washer
36	C20976	Chassis docking support CP 60 version 7.13
37	30258	THEF 10 x 30 screw
38	30280	ø 10 inox narrow washer
39	15021	Adjustable toggle without hook
40	90130	5 x 16 countersunk head screw
41	20853	41
42	80272	42
43	90775	M 5 nut
44	30290	ø 5 large washer
45	12803	Complete right rear lights - C.P 60
46	20819	
47	20363	47

<b>Pos.</b>	<b>Référence</b>	<b>Désignation</b>
48	20818	
49	12802	Complete left rear lights - C.P 60
50	12801	Complete lighting wiring harness 3.5 m - C.P 60

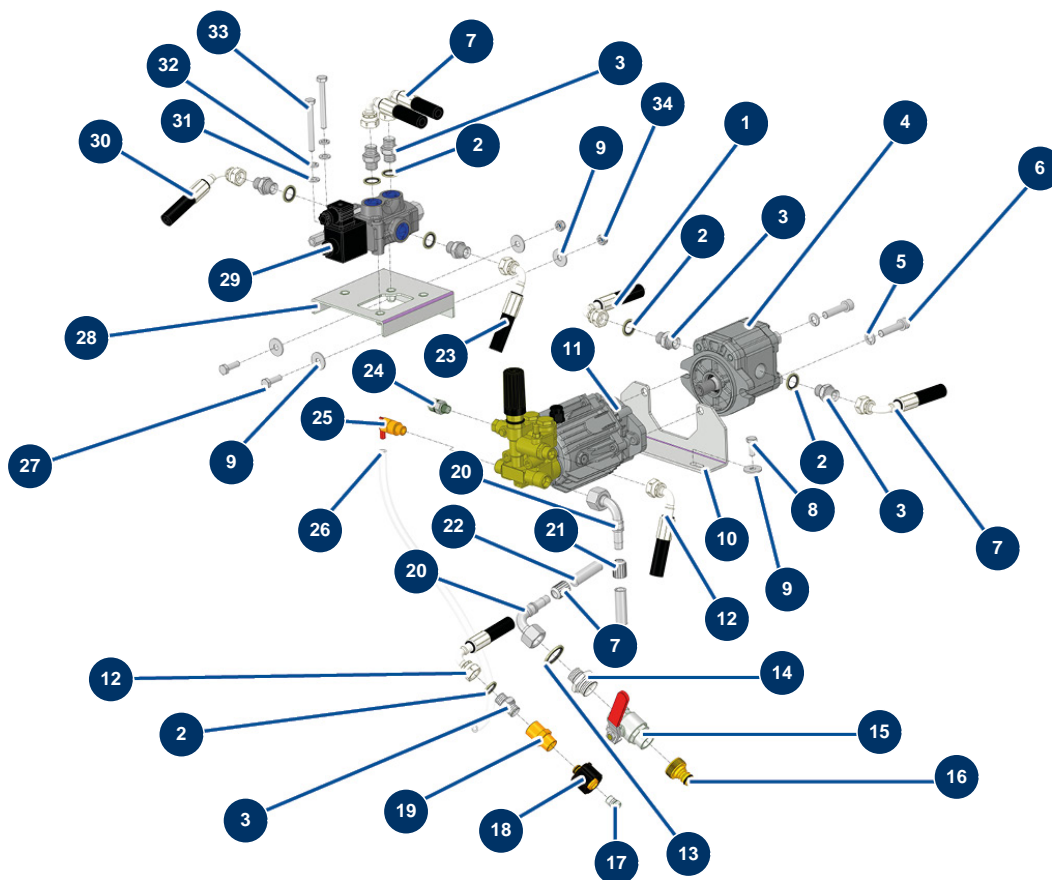
## X-PRO D140 V2 liquid screed machine - High pressure washer lance



### Détails des pièces

Pos.	Référence	Désignation
1	90304	High pressure nozzle 15°-40
2	90307	Low pressure nozzle 50°-40
3	12415	Double elbow lance hose nozzle holder, 600 mm, KW coupler
4	12166	Double elbow lance hose 600 mm, KW coupler
5	12165	Washer spray-gun with protected hose 310 bars, KW coupler
6	12071	Washer hose Ø 8-315 bar 10 metres
7	90328	M22-150 F x 3/8 M female quick fit attachment

## X-PRO D140 V2 liquid screed machine - High-pressure washer - Water meter

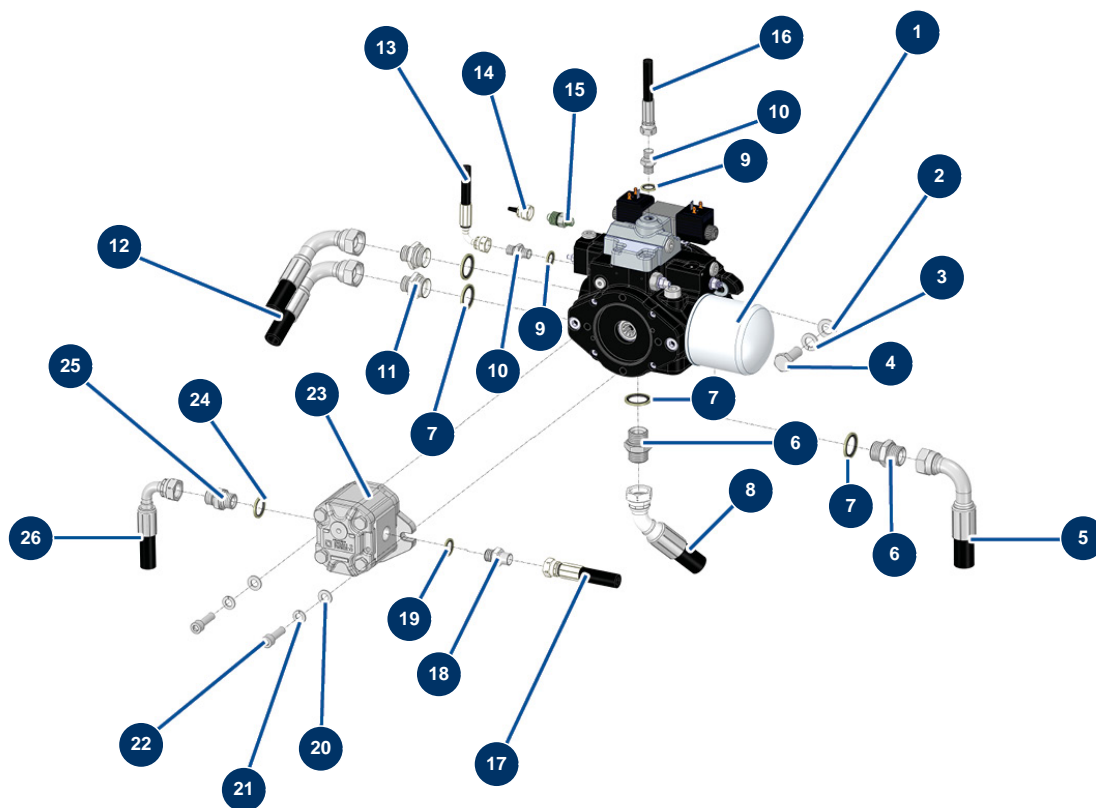


### Détails des pièces

Pos.	Référence	Désignation
1	20856	1
2	91031	Steel gasket for hollow screw with 3/8 lip
3	90698	3/8" MaleD x 3/8" MaleD high-pressure nipple
4	12406	Washer 6 cc single-direction hydraulic motor - CP 60
5	80270	Grower washer ø 10
6	12522	10 x 40 cylindrical head screw
7	20855	7
8	30273	THEF 8 x 20 screw
9	30292	ø 8 inox large washer
10	C23208	10
11	90352	Pump 11 litres 140 bar - C.P 60
12	20838	12
13	12573	Steel gasket for 3/4" hollow screw with lip

Pos.	Référence	Désignation
14	12733	1/2" MaleD x 3/4" MaleD high-pressure nipple
15	90012	Red handle valve M3/4" x F3/4"
16	80124	Inner threaded 3/4" quick connector
17	90842	1/4" high-pressure MaleC plug
18	90326	M22-150 x 1/4 F female C quick fit attachment
19	90336	L M22-150 M x 3/8 F male quick fit attachment
20	10197	20
21	10210	19 MAS sleeve
22	10229	ø 12 galvanised braided hose
23	20857	23
24	20123	
25	13101	1/4" thermostatic valve
26	90541	Clear air hose Ø 6 by the metre
27	11544	THEF 8 x 25 screw
28	C30063	28
29	20132	OMS 125 hydraulic motor
30	20854	30
31	30256	ø 8 inox narrow washer
32	80269	Grower washer ø 8
33	20262	THEF 8 x 70 screw
34	90127	M 8 nylstop nut

## X-PRO D140 V2 liquid screed machine - Hydraulic pump

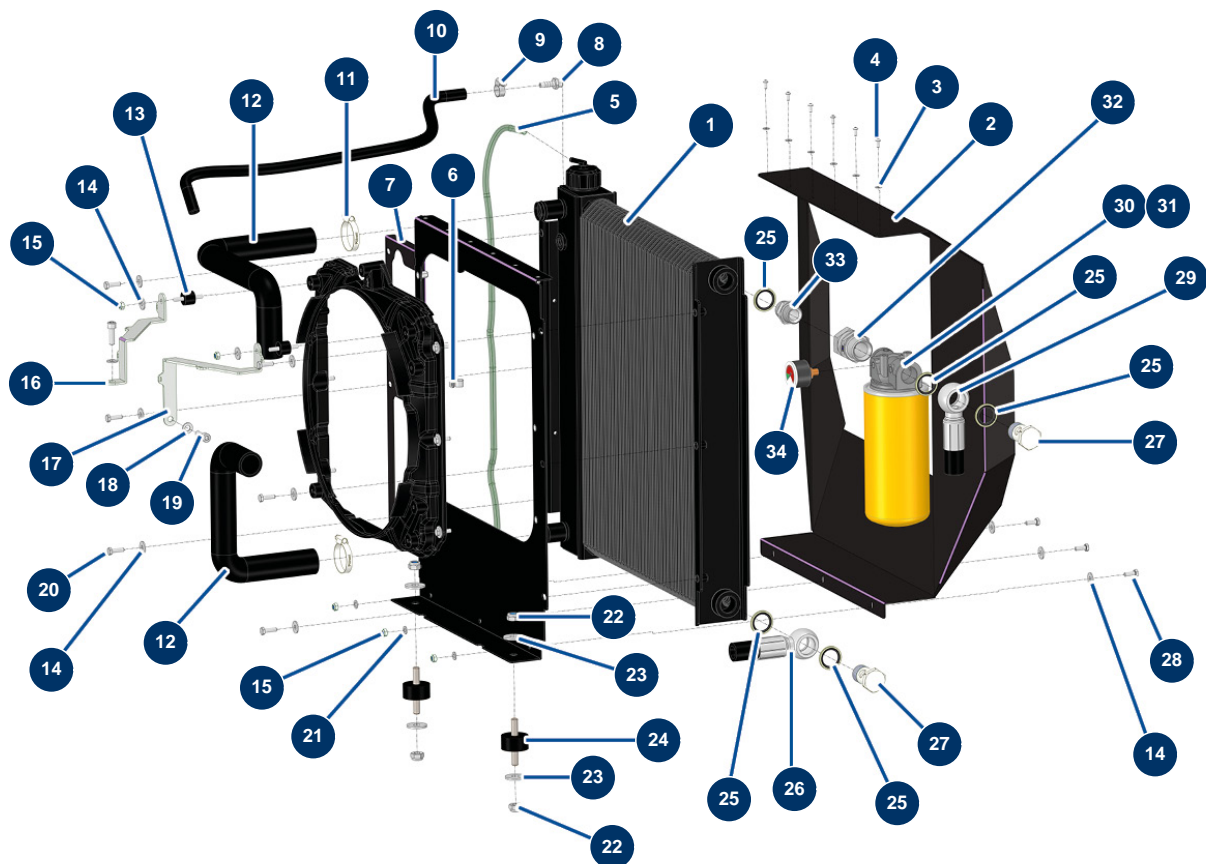


### Détails des pièces

Pos.	Référence	Désignation
1	20026	1
2	30286	∅ 14 inox narrow washer
3	20293	127 ∅ 14 grower washer
4	20292	THEF 961 14/150 x 35 screw
5	20852	5
6	90774	3/4" MaleD x 3/4" MaleD high-pressure nipple
7	12573	Steel gasket for 3/4" hollow screw with lip
8	20850	8
9	91016	Steel gasket for hollow screw with 1/4 lip
10	90703	1/4" MaleD x 1/4" MaleD high-pressure nipple
11	12733	1/2" MaleD x 3/4" MaleD high-pressure nipple
12	20862	12
13	20858	13

Pos.	Référence	Désignation
14	51020	
15	20123	
16	20859	16
17	20854	17
18	80276	3/8" MaleD x 3/8" MaleC high-pressure nipple
19	91031	Steel gasket for hollow screw with 3/8 lip
20	30280	ø 10 inox narrow washer
21	80270	Grower washer ø 10
22	12521	10 x 35 cylindrical head screw
23	20027	
24	91032	Steel gasket for hollow screw with 1/2" lip
25	90627	1/2" MaleD x 1/2" MaleD high-pressure nipple
26	20853	26

## X-PRO D140 V2 liquid screed machine - Radiator

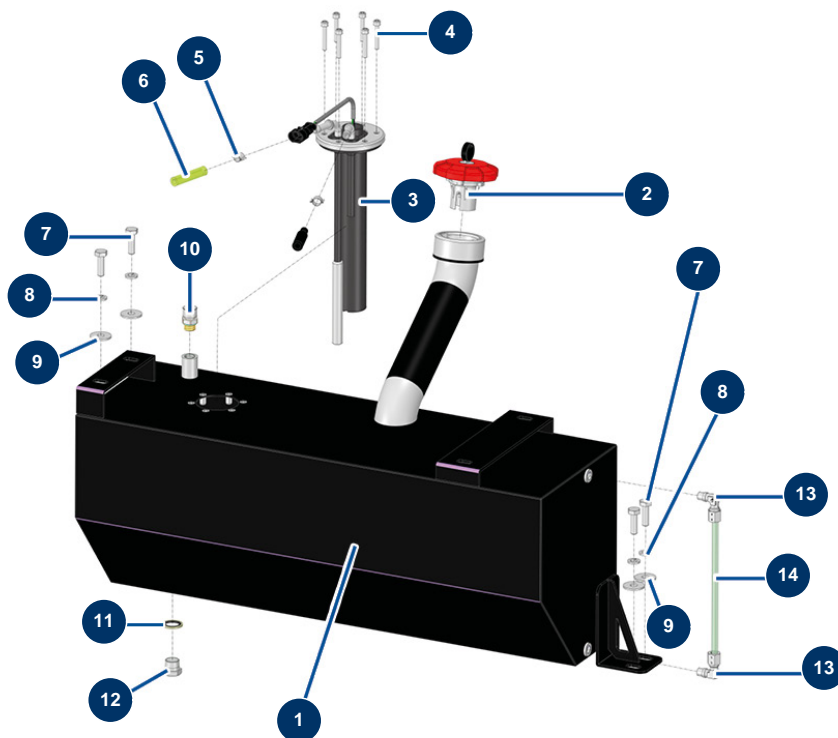


### Détails des pièces

Pos.	Référence	Désignation
1	14680	Engine/Hydraulic oil cooler RL 2021 - CP 60
2	C23837	
3	11736	ø 4 inox medium washer
4	15152	4 x 10 inox cylindrical pan head screw
5	90541	Clear air hose Ø 6 by the metre
6	20232	6
7	C30055	7
8	20405	
9	20247	8-16 mm collar
10	13595	Cooling liquid hose ø 10 x 17 per metre - CP 60
11	20242	25-40 mm collar
12	15565	
13	30147	Silentbloc ø 20 x 15 M6 for Compact-pro 30

Pos.	Référence	Désignation
14	30291	ø 6 large washer
15	20004	M 6 nylstop nut
16	C30061	16
17	C30060	17
18	30256	ø 8 inox narrow washer
19	12783	8 x 25 cylindrical head screw
20	14539	THEF 6 x 20 screw
21	70087	ø 6 inox narrow washer
22	60013	M 10 nylstop nut
23	30293	ø 10 inox large washer
24	30150	Silentbloc ø 40 x 20 M10
25	12573	Steel gasket for 3/4" hollow screw with lip
26	20852	26
27	14733	3/4 BP drilled head screw
28	14733	3/4 BP drilled head screw
29	20863	29
30	15305	
31	15308	31
32	20841	32
33	90774	3/4" MaleD x 3/4" MaleD high-pressure nipple
34	15306	

## X-PRO D140 V2 liquid screed machine - Fuel tank

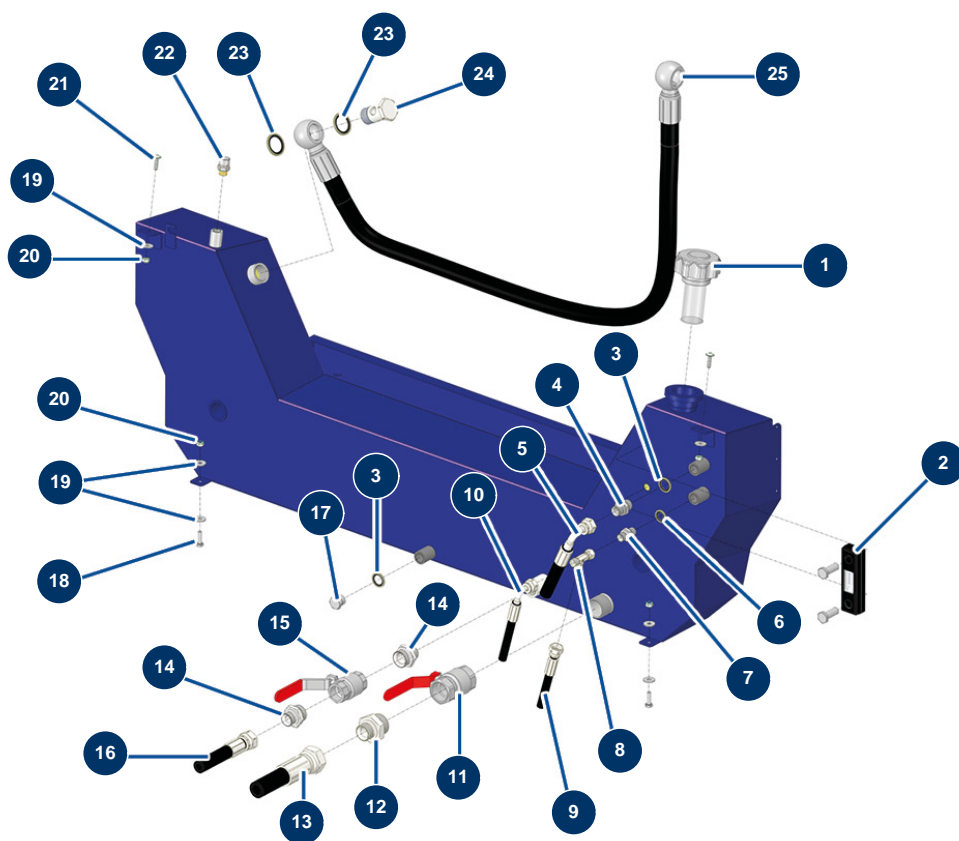


### Détails des pièces

Pos.	Référence	Désignation
1	C23782	1
2	13107	Red diesel tank cap with key - C.P 60
3	12989	Gasoil level gauge - length 250 mm - CP60
4	12245	5 x 30 cylindrical head screw
5	60031	Ear clamp 11 x 13
6	12390	Gasoil return hose Ø 6 mm (sold by the metre)
7	11544	THEF 8 x 25 screw
8	80269	Grower washer ø 8
9	30292	ø 8 inox large washer
10	12504	
11	91031	Steel gasket for hollow screw with 3/8 lip
12	90238	3/8" low-pressure male plug
13	14708	M1/8 ø 8 elbow screw push-in connector

<b>Pos.</b>	<b>Référence</b>	<b>Désignation</b>
14	15570	14

## X-PRO D140 V2 liquid screed machine - Hydraulic tank

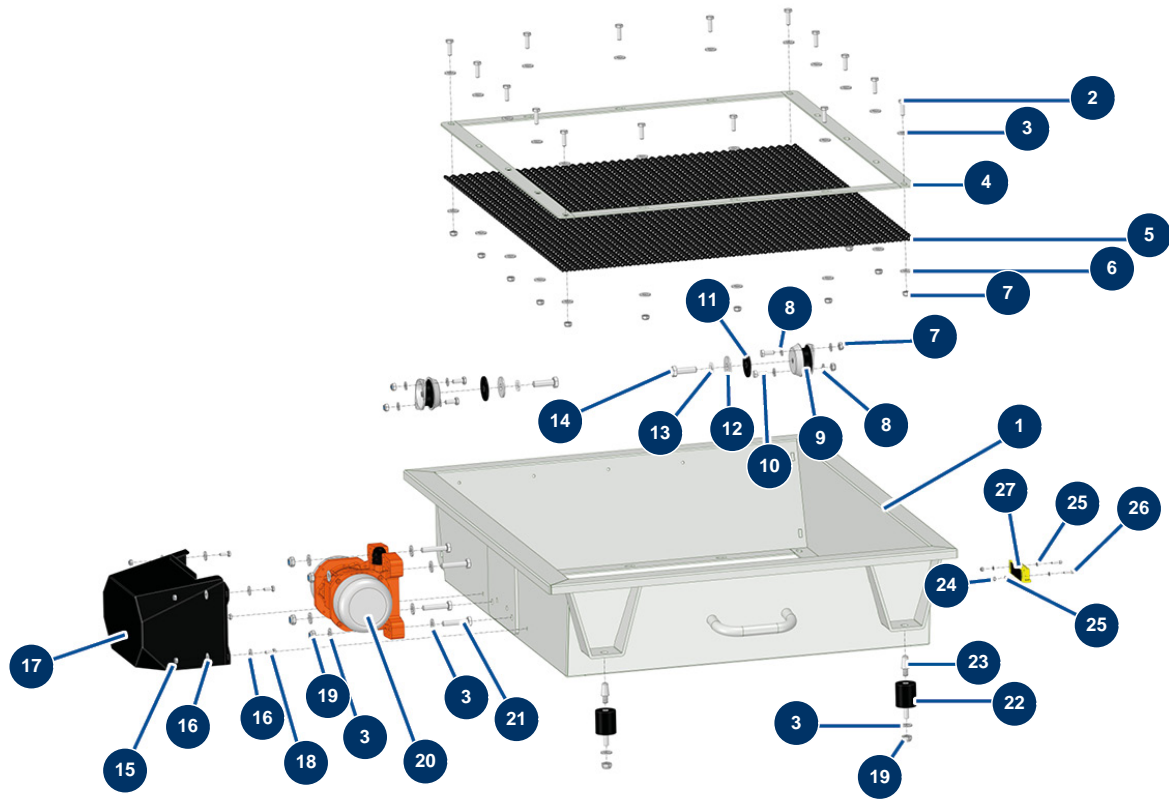


### Détails des pièces

Pos.	Référence	Désignation
1	15321	
2	12326	Visual level of hydraulic tank - CP 60
3	91031	Steel gasket for hollow screw with 3/8 lip
4	90698	3/8" MaleD x 3/8" MaleD high-pressure nipple
5	20857	5
6	91016	Steel gasket for hollow screw with 1/4 lip
7	90703	1/4" MaleD x 1/4" MaleD high-pressure nipple
8	20103	1/4" MaleD x 1/4" MaleD x 1/4" revolving Female high-pressure T
9	20860	9
10	20851	10
11	70031	Drain valve for EUROPRO 4-6-8-14 P, MPE, AG, 7000z, 9000z
12	12569	3/4" MaleD x 1" MaleD high-pressure nipple
13	20850	13

Pos.	Référence	Désignation
14	12733	1/2" MaleD x 3/4" MaleD high-pressure nipple
15	11382	Red handle valve F3/4" x F3/4"
16	20853	16
17	90238	3/8" low-pressure male plug
18	14539	THEF 6 x 20 screw
19	30291	ø 6 large washer
20	20004	M 6 nylstop nut
21	20363	21
22	12504	
23	12573	Steel gasket for 3/4" hollow screw with lip
24	14733	3/4 BP drilled head screw
25	20863	25

## X-PRO D140 V2 liquid screed machine - Vibrating sieve

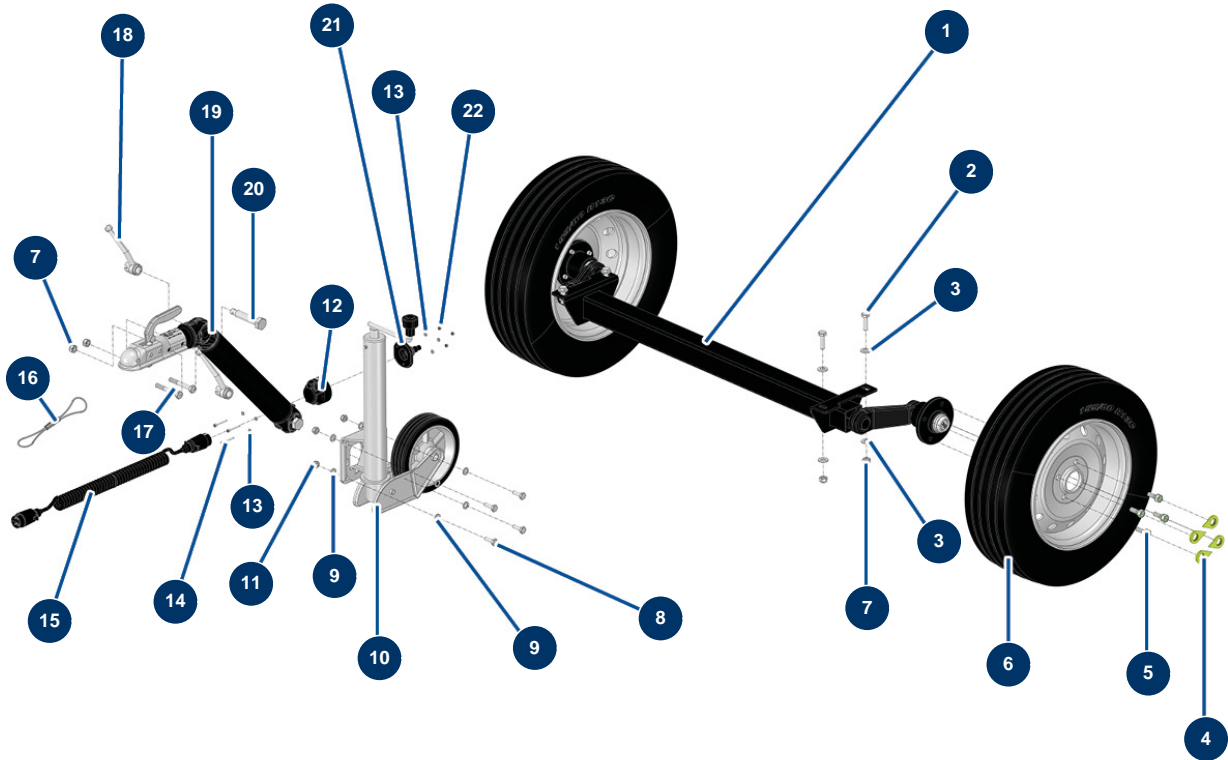


### Détails des pièces

Pos.	Référence	Désignation
1	C23020	1
2	20674	2
3	80261	ø 10 inox medium washer
4	C23022	
5	C23080	12 x 12 x 4 grid for X-PRO D140 and D200 vibrating sieve
6	30292	ø 8 inox large washer
7	13980	M 8 nylstop inox nut
8	30256	ø 8 inox narrow washer
9	20230	Silentbloc for X-PRO D motor plate + sieve
10	30273	THEF 8 x 20 screw
11	20714	11
12	30294	ø 12 inox large washer
13		13

Pos.	Référence	Désignation
14	12928	THEF 12 x 40 screw
15	14217	M 6 nylstop inox nut
16	30291	ø 6 large washer
17	C22874	17
18	12069	THEF 6 x 16 screw
19	13981	M 10 nylstop inox nut
20	20075	12VDC MVE200/3N vibrator
21	30260	THEF 10 x 50 screw
22	20172	Silentbloc ø 40 x 45 M-F10
23	20052	Conical pin 24 x 12/16 mm M10
24	30266	M 4 nylstop nut
25	30267	ø 4 inox narrow washer
26	90137	4 x 16 cylindrical head screw
27	12980	Hopper and mixer safety grid sensor - C.P 60

## X-PRO D140 V2 liquid screed machine - Steering gear

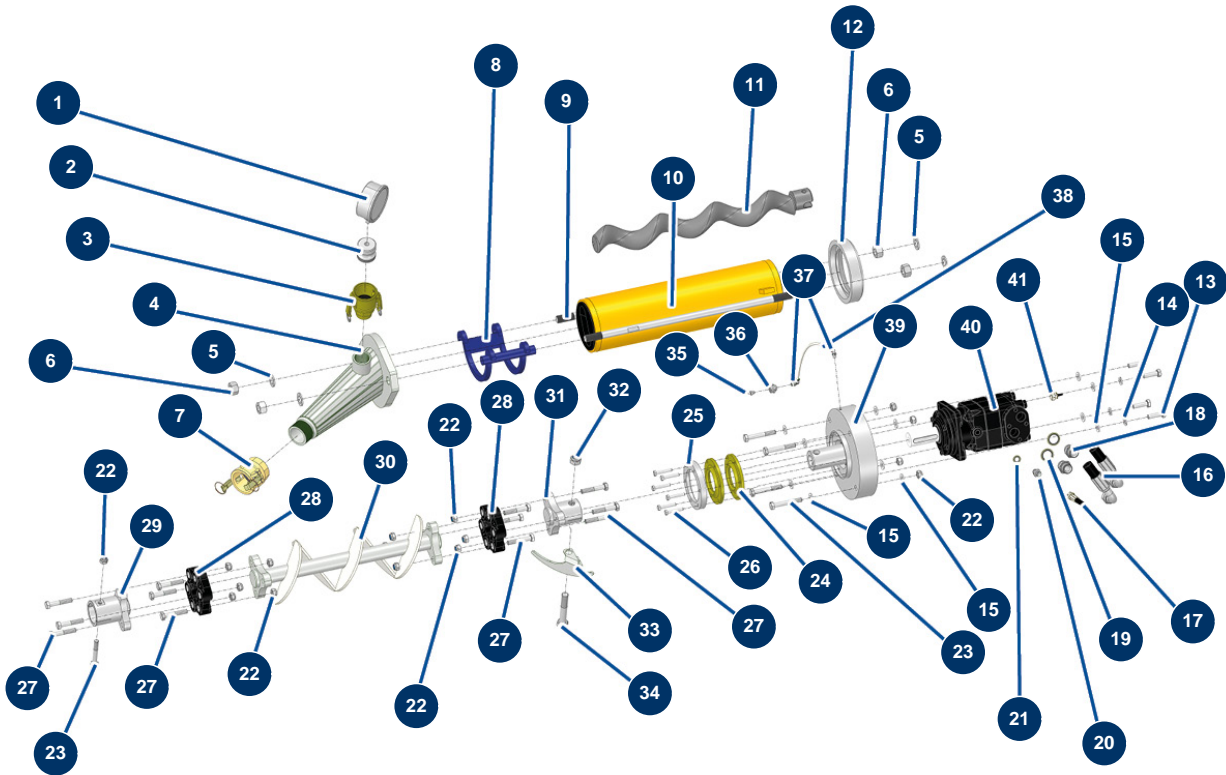


### Détails des pièces

Pos.	Référence	Désignation
1	20849	1
2	20788	2
3	14102	ø 12 inox medium washer
4	14645	
5	14883	Axle 750 Kg hub 100x4 with U attachment EAB 715 - CP 60
6	20211	Complete wheel 155/80R13 PCD 98x4 X-PRO D140
7	10051	M 12 nylstop nut
8	30258	THEF 10 x 30 screw
9	30280	ø 10 inox narrow washer
10	20210	ø 60 automatic jokey wheel X-PRO D140
11	60013	M 10 nylstop nut
12	13282	Lighting metal 7-pin female socket - C.P 60
13	70085	ø 5 narrow washer

Pos.	Référence	Désignation
14	11881	Sander head screw M5 x 40
15	13284	7-pin metal male sockets 2.5 m x 2 spiral extender - C.P 60
16	14326	Headstock safety cable AK160 ø 50 nut PA - CP 60
17	12442	12 x 80 THPF screw
18	20777	18
19	20829	19
20	20816	20
21	13283	Lighting metal 7-pin female socket foam rubber gasket - C.P 60
22	70086	M 5 nylstop inox nut

## X-PRO D140 V2 liquid screed machine - Transmission

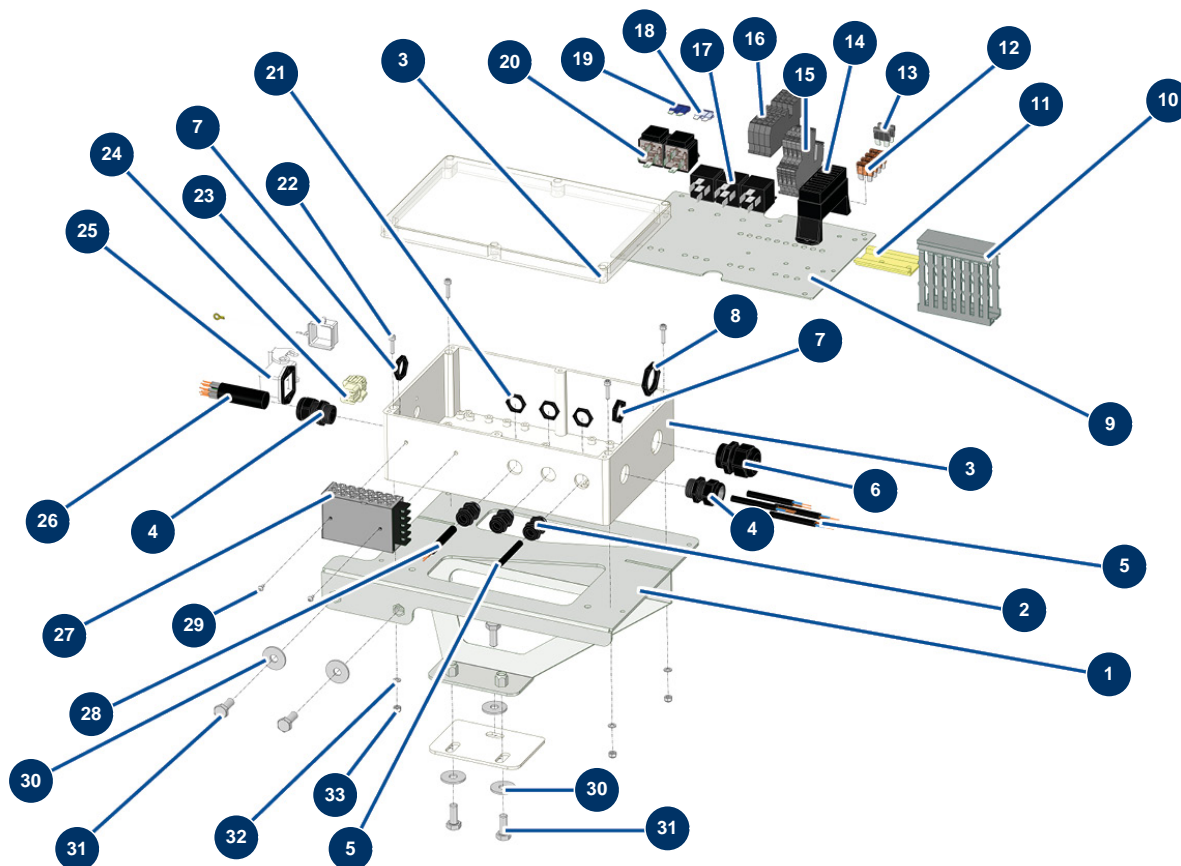


### Détails des pièces

Pos.	Référence	Désignation
1	20154	Oil radial manometer 1/2" conical 100 mm - 0 to 60 bar
2	20062	X-PRO machine manometer adapter
3	20070	1"1/4 camlock steel coupling, outer threaded 1"1/4
4	C23089	
5	10141	ø 20 inox narrow washer
6	12473	M 20 nut
7	12364	2" camlock steel coupling, inner threaded 2" - CP 60
8	C22875	8
9	M10281	595 mm fastening tie rod for CP 60
10	MI3F00508400	MIXER 60R12 SX pump stator with anti-rotation
11	MI7009200000	MIXER 60R12 pump rotor
12	20061	
13	20788	13

Pos.	Référence	Désignation
14	12462	Grower washer ø 12
15	30281	ø 12 inox narrow washer
16	20862	16
17	20860	17
18	90774	3/4" MaleD x 3/4" MaleD high-pressure nipple
19	12573	Steel gasket for 3/4" hollow screw with lip
20	90703	1/4" MaleD x 1/4" MaleD high-pressure nipple
21	91016	Steel gasket for hollow screw with 1/4 lip
22	10051	M 12 nylstop nut
23	12442	12 x 80 THPF screw
24	20058	X-PRO machine tank bottom gasket
25	20059	X-PRO machine seal flange
26	11798	THEF 8 x 45 screw
27	20038	12 x 65 THPF screw
28	14661	Transmission shaft elastic coupling - X-PRO D140
29	20055	X-PRO machine rotor coupling
30	20054	X-PRO D140, CP 55 & 100 tank bottom drive shaft
31	20053	X-PRO machine motor coupling
32	20039	M 18 nylstop nut
33	C22881	
34	20040	18 x 100 THPF screw
35	20044	1/8" M straight lubricator
36	20159	
37	30124	Corrugated Legris coupling M1/8" Ø 6
38	30403	Calibrated polyurethane tube ø 4 x 6 black by the metre
39	20207	OMT 250 X-PRO D140 hydraulic motor flange
40	20206	OMT 250 X-PRO D140 hydraulic motor
41		41

## X-PRO D140 V2 liquid screed machine - Electrical box



### Détails des pièces

Pos.	Référence	Désignation
1	C23774	1
2	80445	Watertight cable gland of M16
3	20228	250 x 160 x 90 plastic box with transparent lid
4	11622	Black plastic packing M 20
5	60156	H05VVF electrical cable 2x1 by the metre
6	13633	6
7	11197	M 20 cable gland nut
8	14447	M 25 CEM cable gland nut
9	20229	
10	20641	
11	50220	11
12	13080	Standard US 5A fuse - CP 60
13	13079	Standard US 2A fuse - CP 60

Pos.	Référence	Désignation
14	20702	14
15	20390	15
16	80482	Grey conductor block 6 mm <sup>2</sup>
17	13108	C-shape 12V relay - C.P 60
18	20252	US 25A standard fuse
19	20251	US 15A standard fuse
20	20378	Relay 12V DC with fuse
21	11327	Cable gland locknut of M16
22	90137	4 x 16 cylindrical head screw
23	12535	2 PIV cover with MIXPRO 14 gasket
24	11914	Female insert 4p + G
25	12543	Insulating bend socket base 3p + G - 1 lever
26	20287	26
27	15072	12VDC / 24VDC transformer
28	14592	H07RNF electrical cable 2x2,5 by the metre
29	20361	29
30	30292	ø 8 inox large washer
31	30273	THEF 8 x 20 screw
32	30267	ø 4 inox narrow washer
33	30266	M 4 nylstop nut