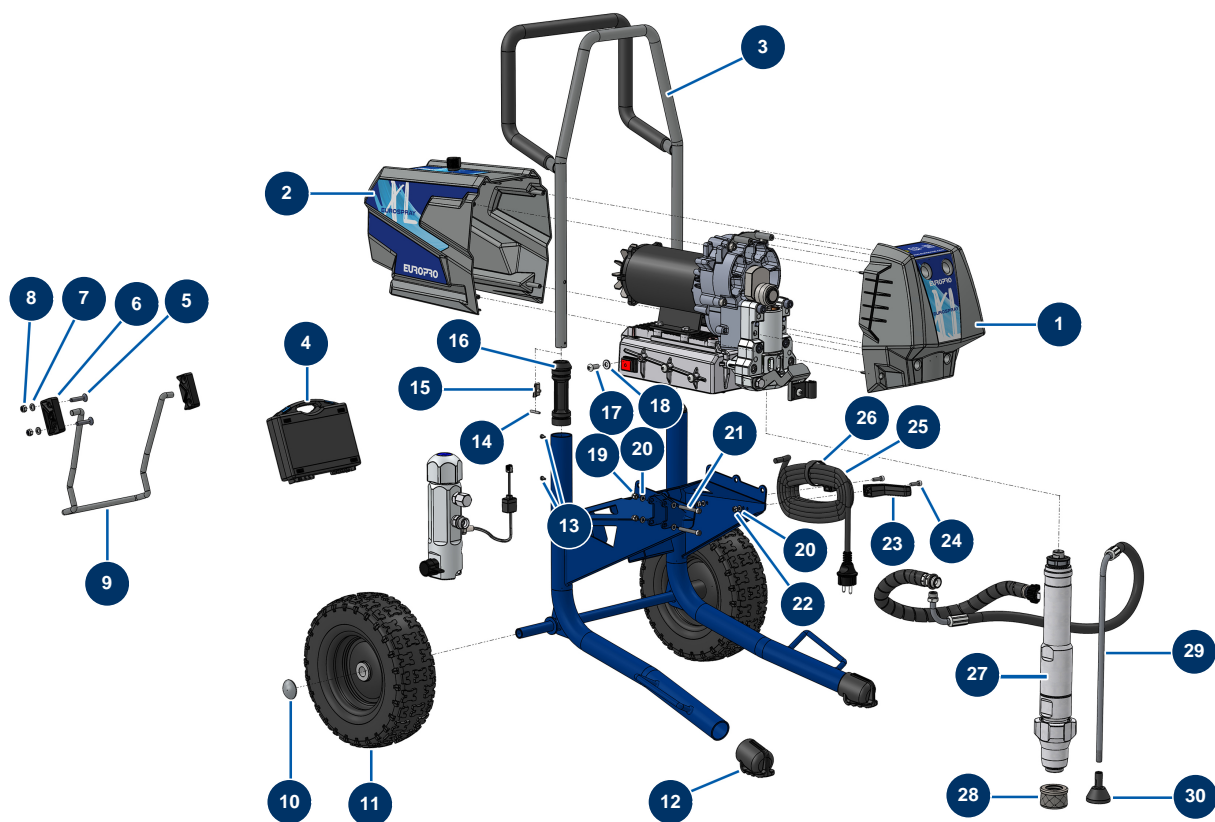


EUROSPRAY XL airless piston pump - Chassis

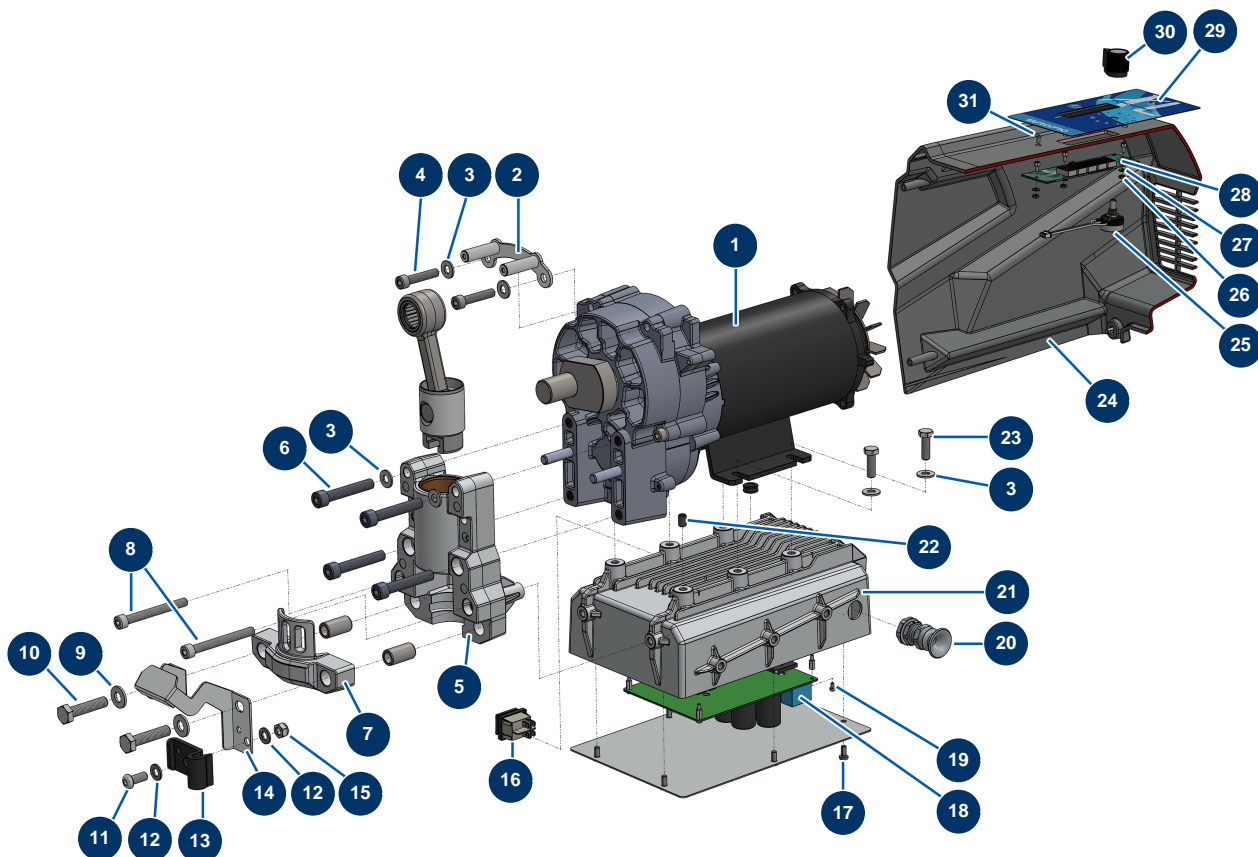


Détails des pièces

Pos.	Référence	Désignation
1	51305	EUROSPRAY XL front cover
2	51306	EUROSPRAY XL rear cover
3	51371	EUROSPRAY XL chassis arm
4	51165	EUROSPRAY S Mini, S, L & PULSE complete tool box
5	14187	8 x 40 inox countersunk head screw
6	51307	EUROSPRAY XL lever handle locking cam
7	30256	ø 8 inox narrow washer
8	90127	M 8 nylstop nut
9	C23497	EUROSPRAY XL pump stand
10	90281	Ø20 chromed clip
11	51359	EUROSPRAY XL wheel
12	51304	EUROSPRAY XL foot plug
13	51356	EUROSPRAY XL pump arm sleeve fixing screw

Pos.	Référence	Désignation
14	51363	EUROSPRAY XL pump arm sleeve spring button fixing pin
15	51355	Arm sleeve spring button for EUROSPRAY S & XL pump
16	51354	EUROSPRAY XL pump arm sleeve
17	12111	8 x 20 inox cylindrical pan head screw
18	80260	ø 8 inox medium washer
19	80618	6 x 50 cylindrical head screw
20	70087	ø 6 inox narrow washer
21	30330	M 6 Inox cap nut
22	14217	M 6 nylstop inox nut
23	51148	EUROSPRAY S, L & PULSE power cable support
24	90996	6 x 20 inox cylindrical head screw
25	90214	Power cable with molded plug 3G 2,5 mm ²
26	12411	Self-gripping collar 20 x 330 mm
27	51369	EUROSPRAY XL complete pump
28	51312	EUROSPRAY XL 8-mesh plaster suction strainer
29	51357	EUROSPRAY XL pump return hose
30	51358	EUROSPRAY XL return hose deflector

EUROSPRAY XL airless piston pump - Transmission / Electrical box

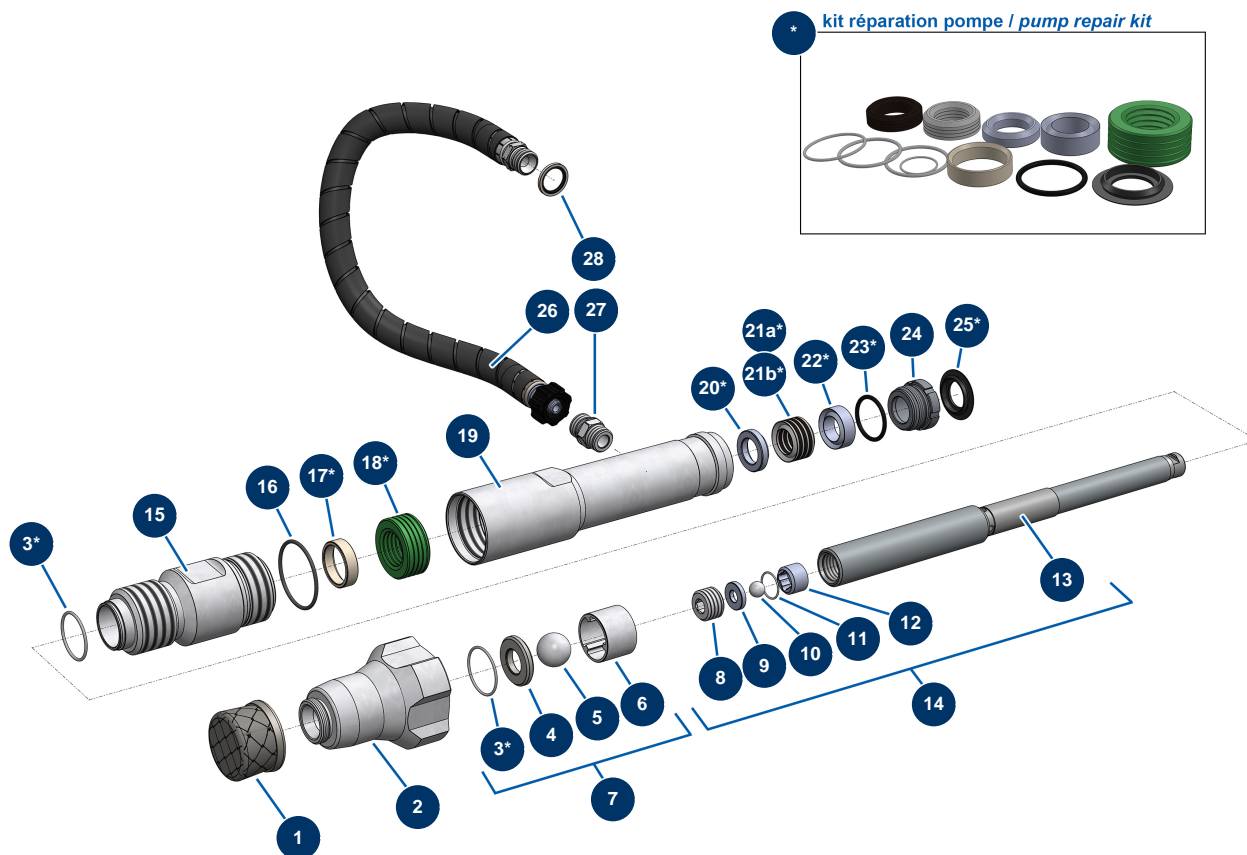


Détails des pièces

Pos.	Référence	Désignation
1	51348	EUROSPRAY XL pump complete motor
2	C23504	EUROSPRAY XL front crankcase mounting plate
3	80260	ø 8 inox medium washer
4	12246	8 x 40 cylindrical head screw
5	51302	EUROSPRAY XL pump support
6	13520	10 x 60 cylindrical head screw
7	51303	EUROSPRAY XL pump mounting bracket
8	12466	8 x 75 cylindrical head screw
9	80261	ø 10 inox medium washer
10	12441	THEF 10 x 45 screw
11	12111	8 x 20 inox cylindrical pan head screw
12	30256	ø 8 inox narrow washer
13	51351	EUROSPRAY XL pump return hose fastening clip

Pos.	Référence	Désignation
14	51350	EUROSPRAY XL pump bucket support
15	90127	M 8 nylstop nut
16	51349	EUROSPRAY XL pump ON/OFF switch
17	90161	5 x 12 inox cylindrical head screw
18	51345	EUROSPRAY XL pump electronic card
19	13329	3 x 6 cylindrical head screw
20	80451	Brass cable gland of 13 for power cable
21	51301	EUROSPRAY XL aluminum electrical box
22	14151	8 x 12 stainless steel socket head screw with flat tip
23	11544	THEF 8 x 25 screw
24	51306	EUROSPRAY XL rear cover
25	51352	EUROSPRAY XL pump potentiometer
26	310016	M 3 nut
27	12070	ø 3 inox medium washer
28	51346	EUROSPRAY XL electronic display board
29	51310	EUROSPRAY XL membrane front panel
30	51353	EUROSPRAY XL pump potentiometer button
31	1033003	3 x 8 DIN 7991 countersunk head screw

EUROSPRAY XL airless piston pump - Pump

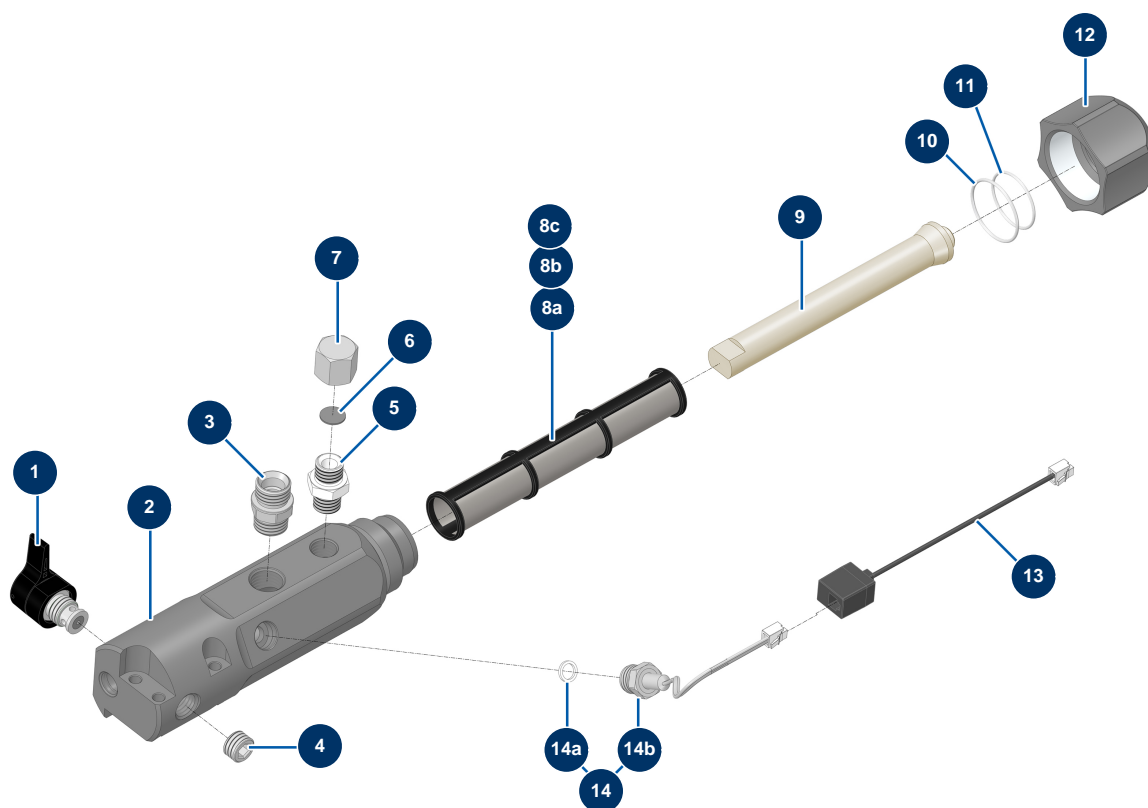


Détails des pièces

Pos.	Référence	Désignation
*	51335	EUROSPRAY XL pump gaskets kit
1	51312	EUROSPRAY XL 8-mesh plaster suction strainer
2	51334	EUROSPRAY XL pump foot
3*	51324	EUROSPRAY XL pump PTFE O-ring
4	51332	EUROSPRAY XL pump valve ball seat
5	51331	Tungsten ball valve for EUROSPRAY XL pump
6	51330	EUROSPRAY L pump valve ball guide
7	51370	EUROSPRAY XL pump suction valve repair kit
8	51329	EUROSPRAY XL pump piston nut
9	51328	EUROSPRAY XL pump piston ball seat
10	51327	EUROSPRAY XL pump piston ball
11	51326	EUROSPRAY XL pump piston gasket
12	51325	EUROSPRAY XL pump piston ball guide

Pos.	Référence	Désignation
13	51308	EUROSPRAY XL pump piston rod
14	51336	EUROSPRAY XL pump complete piston
15	51323	EUROSPRAY XL pump lower body
16	51333	EUROSPRAY XL pump O-ring
17*	51322	EUROSPRAY XL pump retaining ring
18*	51321	EUROSPRAY XL pump lower gasket
19	51320	EUROSPRAY XL pump intermediate tube
20*	51319	EUROSPRAY XL pump retaining ring
21a*	51317	EUROSPRAY S Mini & S pump upper leather gasket
21b*	51318	EUROSPRAY XL pump upper gasket
22*	51316	EUROSPRAY XL pump retaining ring
23*	51315	EUROSPRAY XL pump O-ring
24	51314	EUROSPRAY XL pump cable gland nut
25*	51313	EUROSPRAY XL pump cable gland plug
26	51311	EUROSPRAY XL pump/filter hose
27	M10827	EUROSPRAY XL 1/2"G pump outlet connector
28	91032	Steel gasket for hollow screw with 1/2" lip

EUROSPRAY XL airless piston pump - Filter

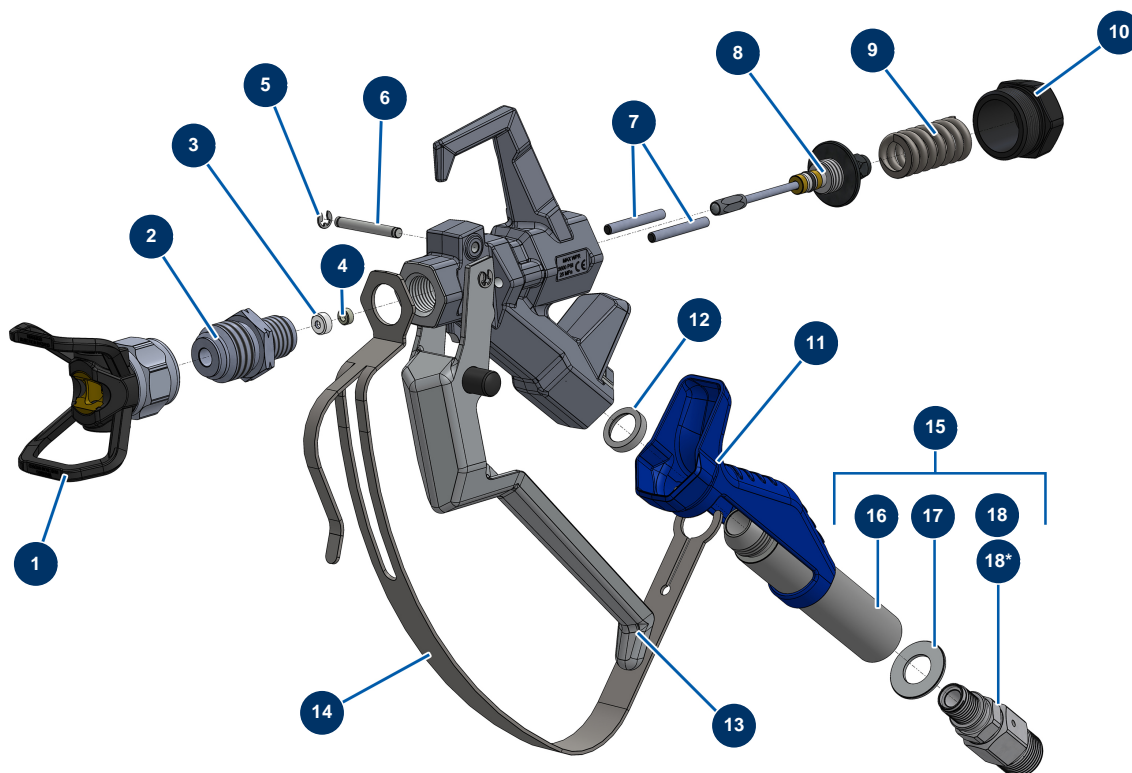


Détails des pièces

Pos.	Référence	Désignation
1	51347	EUROSPRAY XL pump complete drain valve
2	51361	EUROSPRAY XL pump filter body
3	M10827	EUROSPRAY XL 1/2"G pump outlet connector
4	12575	3/8" MaleC high-pressure headless plug
5	80276	3/8" MaleD x 3/8" MaleC high-pressure nipple
6	51372	EUROSPRAY XL 3/8" Female plug flat seal
7	51373	EUROSPRAY XL 3/8" Female plug
8a	51339	EUROSPRAY XL 60 mesh pump filter
8b	51340	EUROSPRAY XL 30 mesh pump filter
8c	51341	EUROSPRAY XL 100 mesh pump filter
9	51338	EUROSPRAY XL pump filter support
10	51362	EUROSPRAY XL pump PTFE O-ring filter cap
11	51324	EUROSPRAY XL pump PTFE O-ring

Pos.	Référence	Désignation
12	51337	EUROSPRAY XL pump filter plug
13	51360	RJ11 M/F extension for EUROSPRAY L & XL pump sensor
14	51344	EUROSPRAY XL pump complete pressure sensor
14a	51343	EUROSPRAY XL pump pressure sensor gasket
14b	51342	EUROSPRAY XL pump pressure sensor

EUROSPRAY XL airless piston pump - COATSPRAY Spray-gun



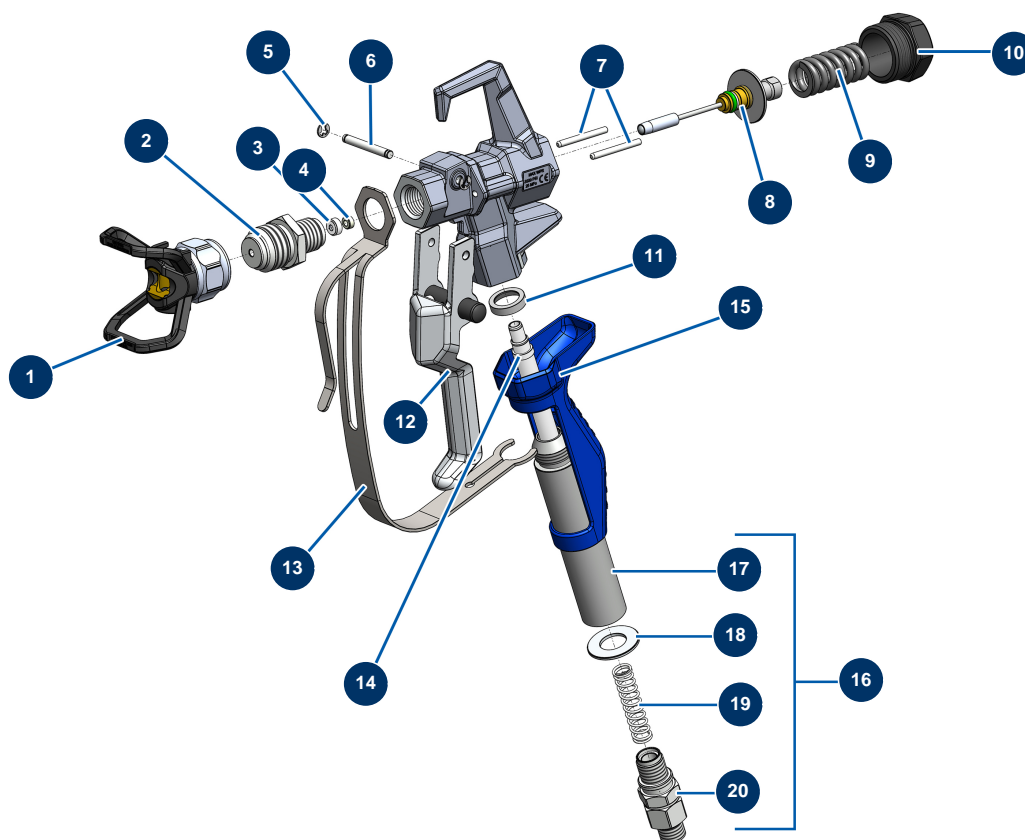
*Raccord renforcé optionnel / Optional reinforced connector

Détails des pièces

Pos.	Référence	Désignation
1	51001	BST, BBP & BFF 7/8" tip guard
2	51054	COATSPRAY spray-gun 7/8" diffuser
3	51047	PAINTSPRAY, COATSPRAY spray-gun needle seat gasket
4	51046	PAINTSPRAY, COATSPRAY spray-gun needle seat
5	51043	PAINTSPRAY, COATSPRAY spray-gun trigger axis circlip
6	51057	COATSPRAY spray-gun trigger axis
7	51055	COATSPRAY spray-gun retraction pin
8	51053	COATSPRAY spray-gun needle repair kit
9	51034	PAINTSPRAY, COATSPRAY spray-gun needle return spring
10	51038	PAINTSPRAY, COATSPRAY spray-gun needle lock plug
11	51037	PAINTSPRAY spray-gun plastic handle
12	51051	COATSPRAY spray-gun filter holder bearing gasket
13	51056	COATSPRAY spray-gun complete trigger

Pos.	Référence	Désignation
14	51052	COATSPRAY spray-gun trigger protection
15	51059	Complete revolving coupling for COATSPRAY spray-gun
16	51035	PAINTSPRAY spray-gun filter holder
17	51045	PAINTSPRAY, COATSPRAY spray-gun revolving coupling gasket
18	51058	1/2" MBSP revolving coupling for COATSPRAY spray-gun
18*	M07057	Reinforced turning connector for COATSPRAY spray-gun

EUROSPRAY XL airless piston pump - PAINTSPRAY Spray-gun



Détails des pièces

Pos.	Référence	Désignation
1	51001	BST, BBP & BFF 7/8" tip guard
2	51036	PAINTSPRAY spray-gun 7/8" diffuser
3	51047	PAINTSPRAY, COATSPRAY spray-gun needle seat gasket
4	51046	PAINTSPRAY, COATSPRAY spray-gun needle seat
5	51043	PAINTSPRAY, COATSPRAY spray-gun trigger axis circlip
6	51042	PAINTSPRAY spray-gun trigger axis
7	51040	PAINTSPRAY spray-gun retraction pin
8	51033	PAINTSPRAY spray-gun needle repair kit
9	51034	PAINTSPRAY, COATSPRAY spray-gun needle return spring
10	51038	PAINTSPRAY, COATSPRAY spray-gun needle lock plug
11	51031	PAINTSPRAY spray-gun filter holder bearing gasket
12	51039	PAINTSPRAY spray-gun complete trigger
13	51032	PAINTSPRAY spray-gun trigger protection

Pos.	Référence	Désignation
14	51003	Spray-gun grip 50-mesh filter
15	51037	PAINTSPRAY spray-gun plastic handle
16	51048	Complete revolving coupling for PAINTSPRAY spray-gun
17	51035	PAINTSPRAY spray-gun filter holder
18	51045	PAINTSPRAY, COATSPRAY spray-gun revolving coupling gasket
19	51041	PAINTSPRAY spray-gun filter holding spring
20	51044	1/4" MBSP revolving coupling for PAINTSPRAY spray-gun