

## HYDROLINE L airless marking machine - Chassis

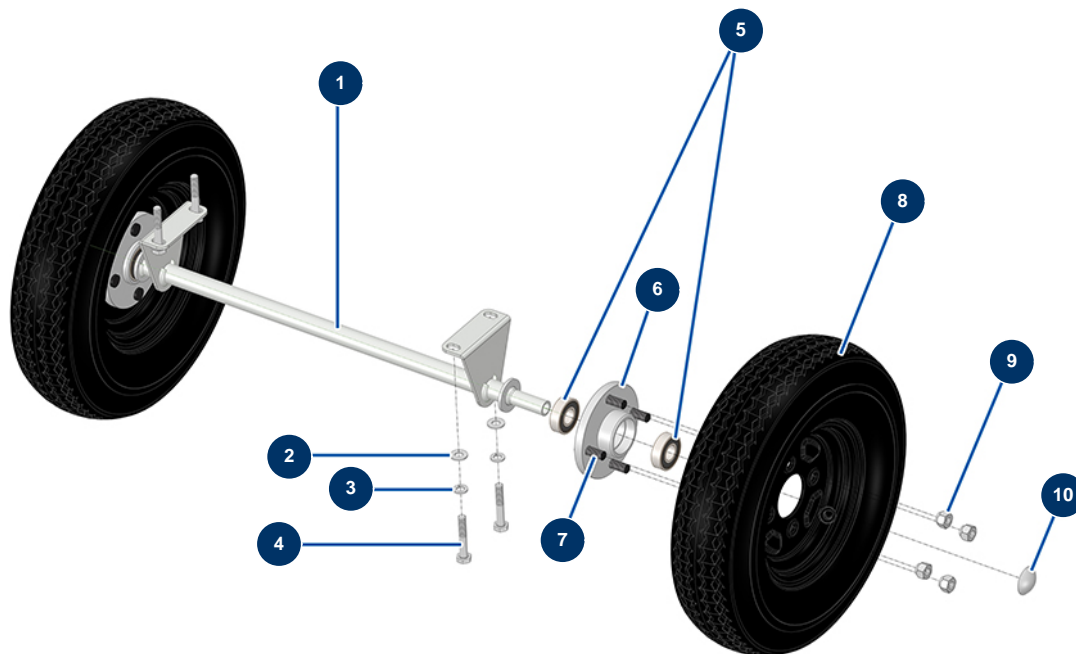


### Détails des pièces

Pos.	Référence	Désignation
1	13963	Ø40 x 30 stop - M8 inner thread
2	14075	M 8 inox nut
3	14930	THEF 8 x 80 screw
4	12142	MIXPRO 100 product trapdoor locking clamp
5	90157	M6 x 16 cylindrical head screw - CP 60
6	70087	ø 6 inox narrow washer
7	30292	ø 8 inox large washer
8	12111	8 x 20 inox cylindrical pan head screw
9	C23664	9
10	40051	Suction strainer 3/4"F 10 meshes
11	51509	
12	14244	12
13	1042523	CP 60 grid handle

Pos.	Référence	Désignation
14	C23708	14
15	80260	∅ 8 inox medium washer
16	30298	THEF 8 x 10 screw
17	11514	Plastic thumb wheel M8 x 20
18	C23665	
19	90449	M 10 cap nut
20	90453	M 10 nut
21	12163	THEF 10 x 70 inox screw
22	13432	M10 plastic thumb wheel
23	M10851	23
24	13978	M10 inox nut

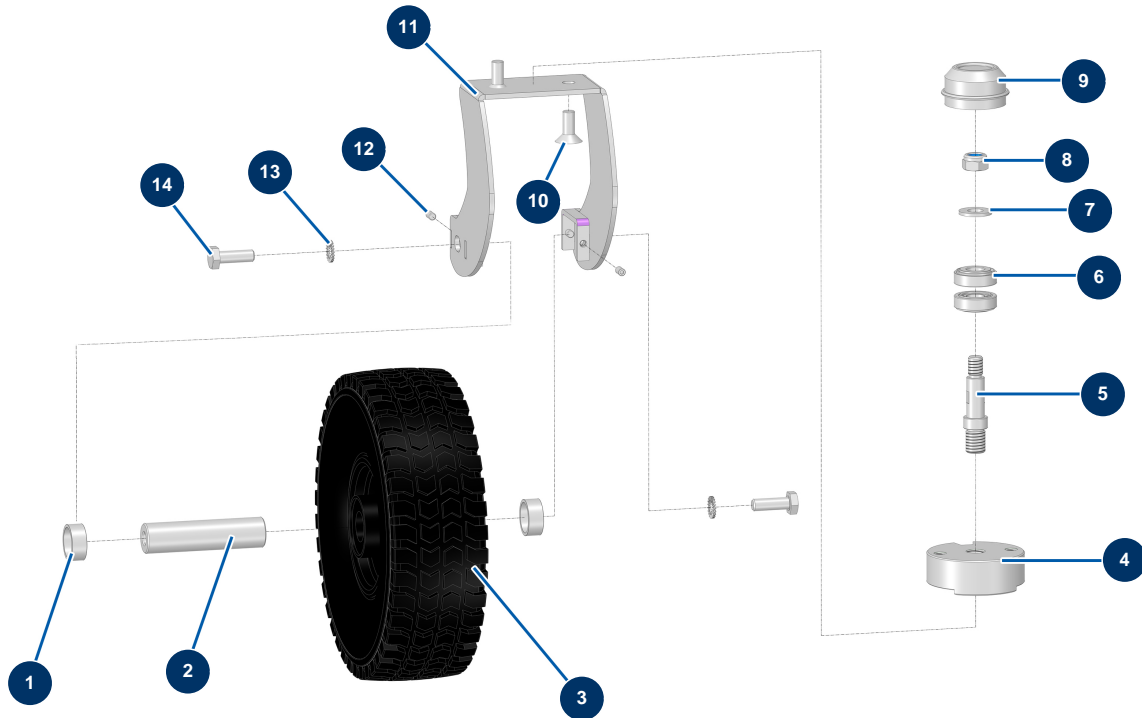
## HYDROLINE L airless marking machine - Axle



### Détails des pièces

Pos.	Référence	Désignation
1	Nous consulter	1
2	80261	ø 10 inox medium washer
3	80270	Grower washer ø 10
4	12770	10 x 60 THPF screw
5	BE15607	MAXPRO 1600 mixer 6204ZZ bearing
6	M10923	6
7	51449	
8	51445	
9	51450	
10	90281	Ø20 chromed clip

## HYDROLINE L airless marking machine - Front wheel support

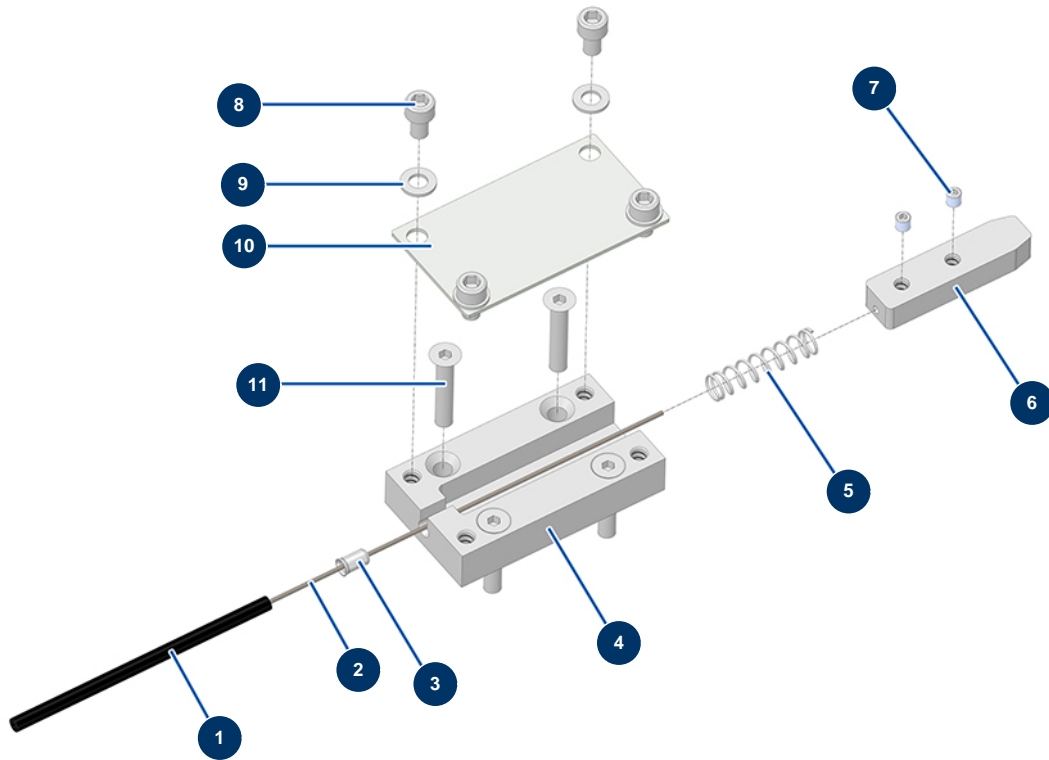


### Détails des pièces

Pos.	Référence	Désignation
1	M10855	1
2	M10860	2
3	51442	
4	M10846	4
5	M10856	5
6	51411	
7	14102	ø 12 inox medium washer
8	10051	M 12 nylstop nut
9	80315	21-350 filter bypass return hose
10	14158	10 x 25 countersunk head screw
11	C23862	
12	90149	ALU lance countersunk screw
13	80267	ø 10 tooth washer

Pos.	Référence	Désignation
14	30258	THEF 10 x 30 screw

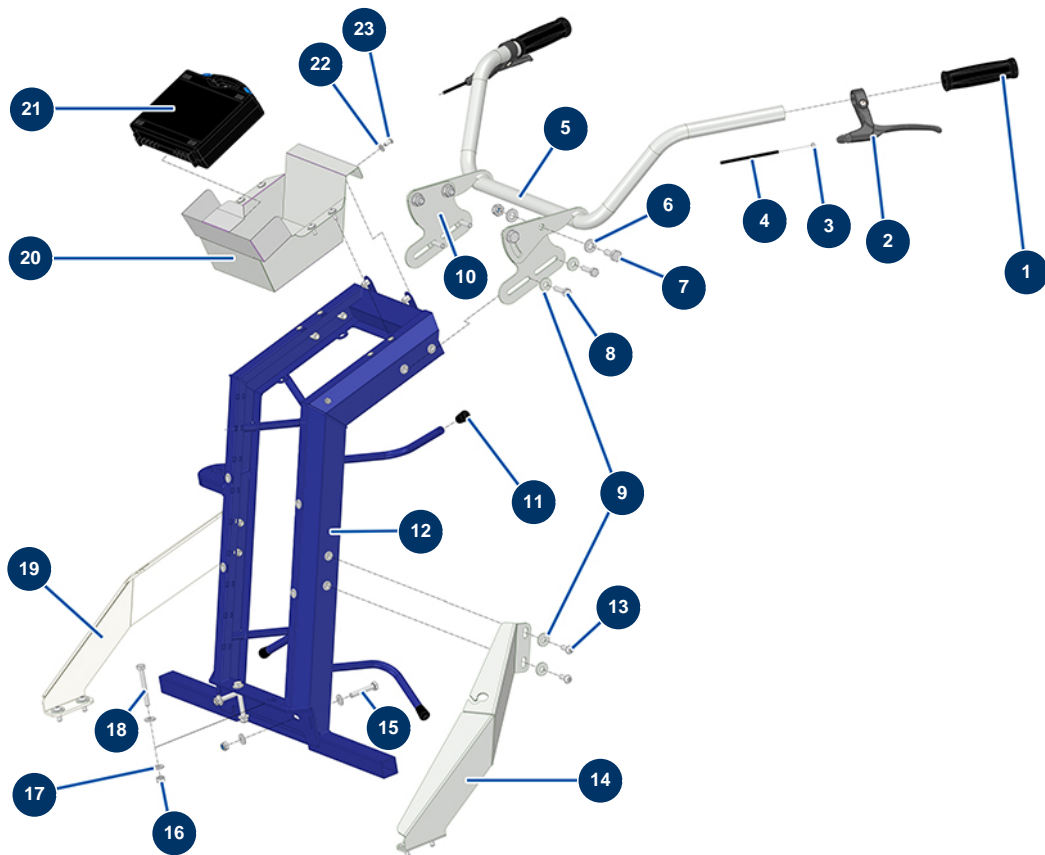
## HYDROLINE L airless marking machine - Front wheel lock



### Détails des pièces

Pos.	Référence	Désignation
1	51408	
2	51407	
3	51409	
4	M10864	4
5	51435	
6	M10865	6
7	11402	5 x 5 stainless steel socket head screw with flat tip
8	90798	M6 x 10 cylindrical head screw - CP 60 cylindrical head screw
9	70087	ø 6 inox narrow washer
10	C23673	10
11	12850	6 x 30 countersunk head screw

## HYDROLINE L airless marking machine - Handlebars

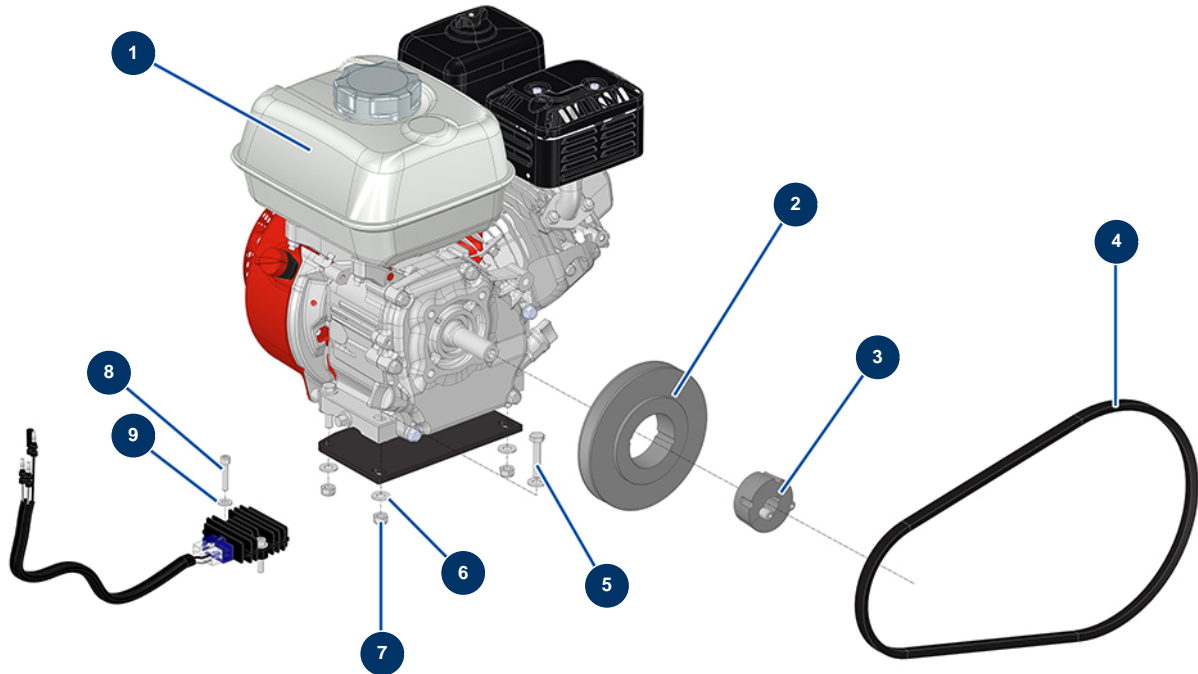


### Détails des pièces

Pos.	Référence	Désignation
1	90255	Arm handle for EUROPRO 24P, E50 and E100
2	51406	
3	51407	
4	51408	
5	C23679	
6	80261	ø 10 inox medium washer
7	30257	THEF 10 x 25 screw
8	30205	THEF 8 x 30 screw
9	30292	ø 8 inox large washer
10	C23661	10
11	30327	Black plastic end cap for ø 14 round tube
12	C23676	12
13	12111	8 x 20 inox cylindrical pan head screw

Pos.	Référence	Désignation
14	C23655	
15	11798	THEF 8 x 45 screw
16	90127	M 8 nylstop nut
17	80260	ø 8 inox medium washer
18	12643	THEF 8 x 65 screw
19	C23656	
20	C23865	20
21	51165	EUROSPRAY S Mini, S, L & PULSE complete tool box
22	80259	Ø 6 medium washer
23	13197	Inox mushroom head screw M 6 x 12

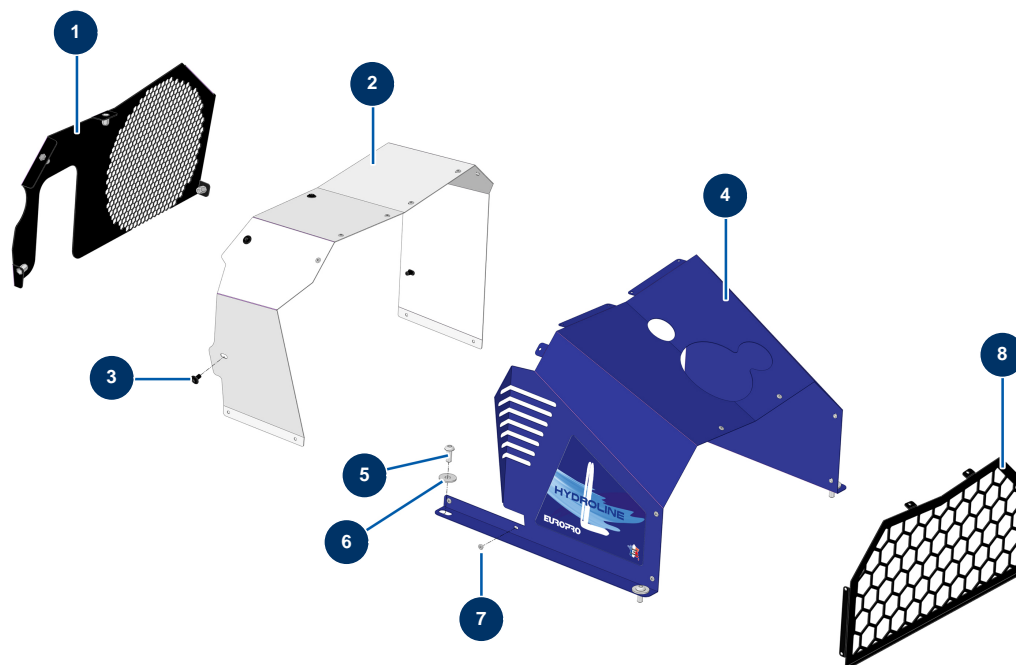
## HYDROLINE L airless marking machine - Motorisation



### Détails des pièces

Pos.	Référence	Désignation
1	14929	1
2	90192	13 pulley without hub Ø 150
3	90760	Removable Ø 3/4" hub for 1610
4	13590	13 x 8 LI0965 LP0995 LA1015 v-belt
5	30250	THEF 8 x 40 screw
6	80260	ø 8 inox medium washer
7	90127	M 8 nylstop nut
8	90153	6 x 30 cylindrical head screw
9	80259	Ø 6 medium washer

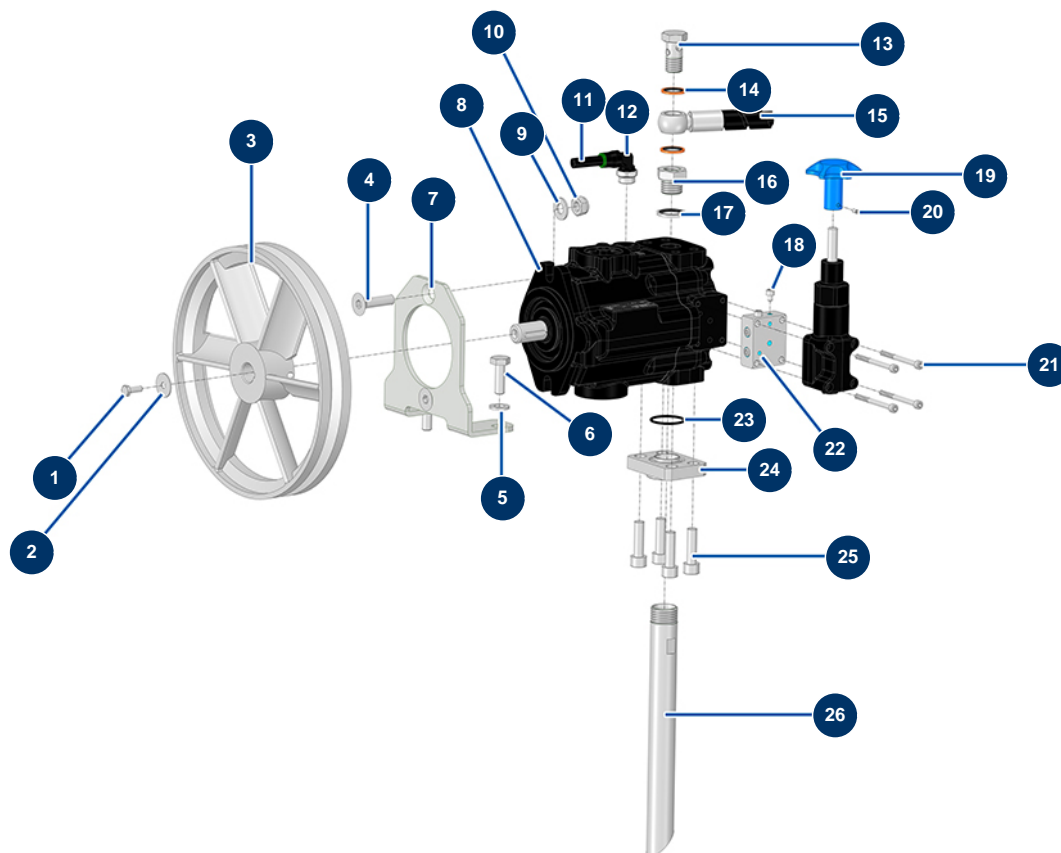
## HYDROLINE L airless marking machine - Crankcase



### Détails des pièces

Pos.	Référence	Désignation
1	C23649	1
2	C23666	2
3	15497	
4	C23667	4
5	12111	8 x 20 inox cylindrical pan head screw
6	30292	ø 8 inox large washer
7	70072	ø 4 x 10 waterproof POP rivet
8	C23714	8

## HYDROLINE L airless marking machine - Hydraulic pump

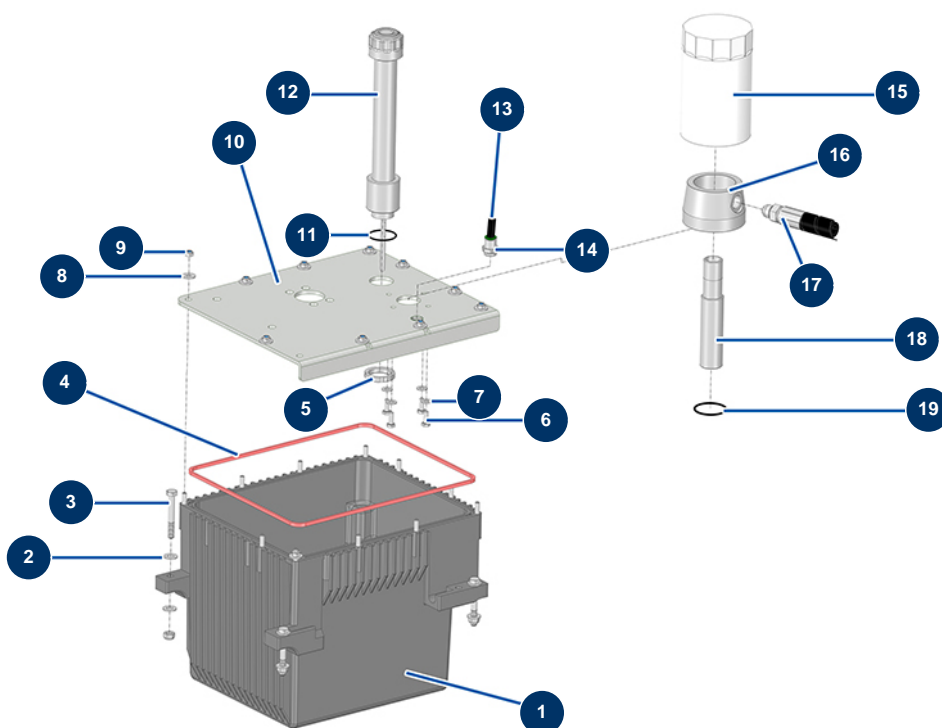


### Détails des pièces

Pos.	Référence	Désignation
1	12069	THEF 6 x 16 screw
2	80262	Very large inox washer Ø 6
3	51403	Hydraulic group pulley
4	14499	10 x 40 countersunk head screw
5	30280	ø 10 inox narrow washer
6	30258	THEF 10 x 30 screw
7	C23685	7
8	14925	Constant pressure hydraulic pump
9	80261	ø 10 inox medium washer
10	13981	M 10 nylstop inox nut
11	30405	Calibrated polyurethane tube ø 7,5 x 10 black by the metre
12	14778	M3/8 ø 10 cylindrical elbow push-in connector
13	91033	3/8 drilled head screw

Pos.	Référence	Désignation
14	91029	3/8 copper gasket for hollow screw
15	51437	
16	12895	3/8" FemaleD x 1/2" MaleD high-pressure nipple
17	91032	Steel gasket for hollow screw with 1/2" lip
18	15278	5 x 6 cylindrical head screw
19	M10886	19
20	310020	4 x 6 stainless steel socket head screw with flat tip
21	12456	5 x 60 cylindrical head screw
22	M10884	22
23	1032076	30 x 2,50 O-ring
24	M10862	24
25	12521	10 x 35 cylindrical head screw
26	M10887	26

## HYDROLINE L airless marking machine - Hydraulic tank

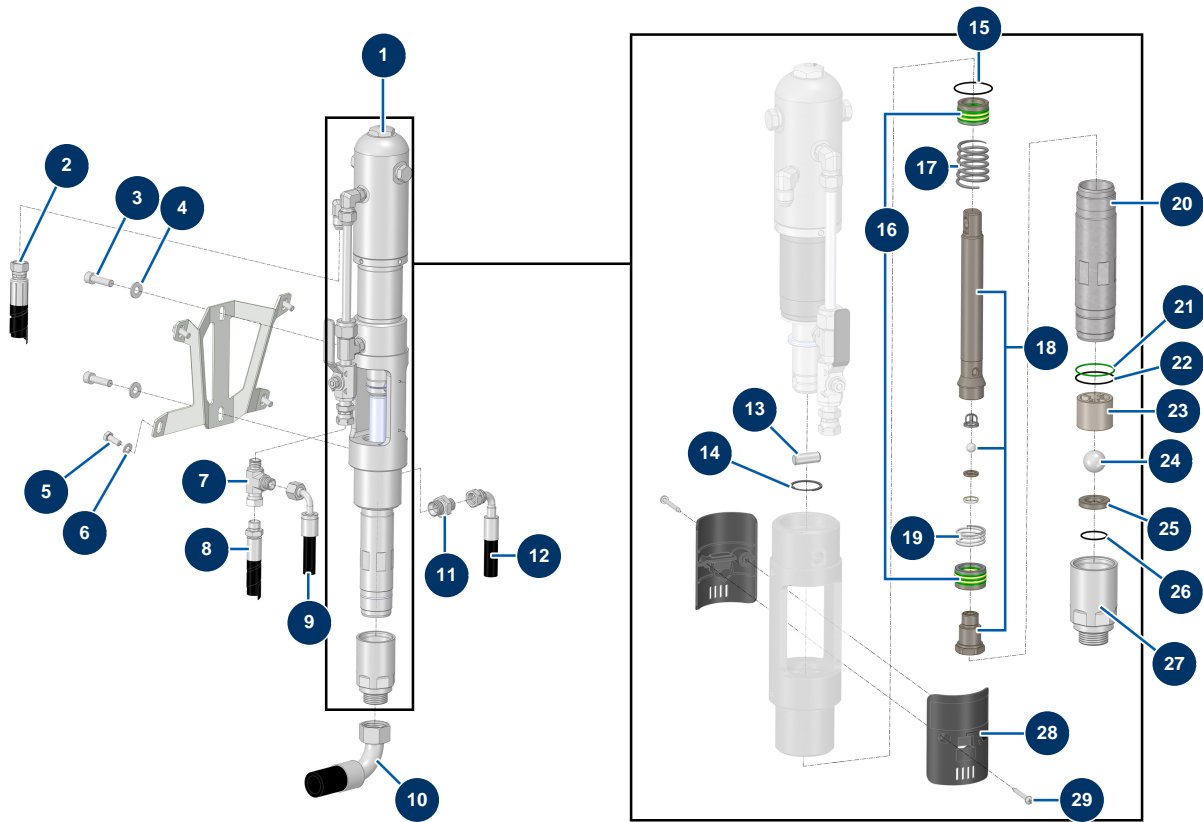


### Détails des pièces

Pos.	Référence	Désignation
1	51416	Hydraulic oil tank for HYDROLINE marking machine
2	80260	ø 8 inox medium washer
3	11799	8 x 60 THPF screw
4	51425	Hydraulic oil tank gasket for HYDROLINE marking machine
5	51422	Hydraulic oil tank retaining nut for HYDROLINE marking machine
6	12069	THEF 6 x 16 screw
7	80259	Ø 6 medium washer
8	30291	ø 6 large washer
9	20004	M 6 nylstop nut
10	C23716	10
11	51424	O-ring for HYDROLINE marking machine hydraulic oil gauge
12	51415	Hydraulic tank oil dipstick for HYDROLINE marking machine
13	30405	Calibrated polyurethane tube ø 7,5 x 10 black by the metre

Pos.	Référence	Désignation
14	14779	M3/8 ø 10 push-in connector
15	51413	
16	51414	Hydraulic oil filter seat for HYDROLINE marking machine
17	51436	
18	51421	Hydraulic oil return hose for HYDROLINE marking machine
19	51423	O-ring for HYDROLINE marking machine hydraulic oil filter

## HYDROLINE L airless marking machine - Paint pump

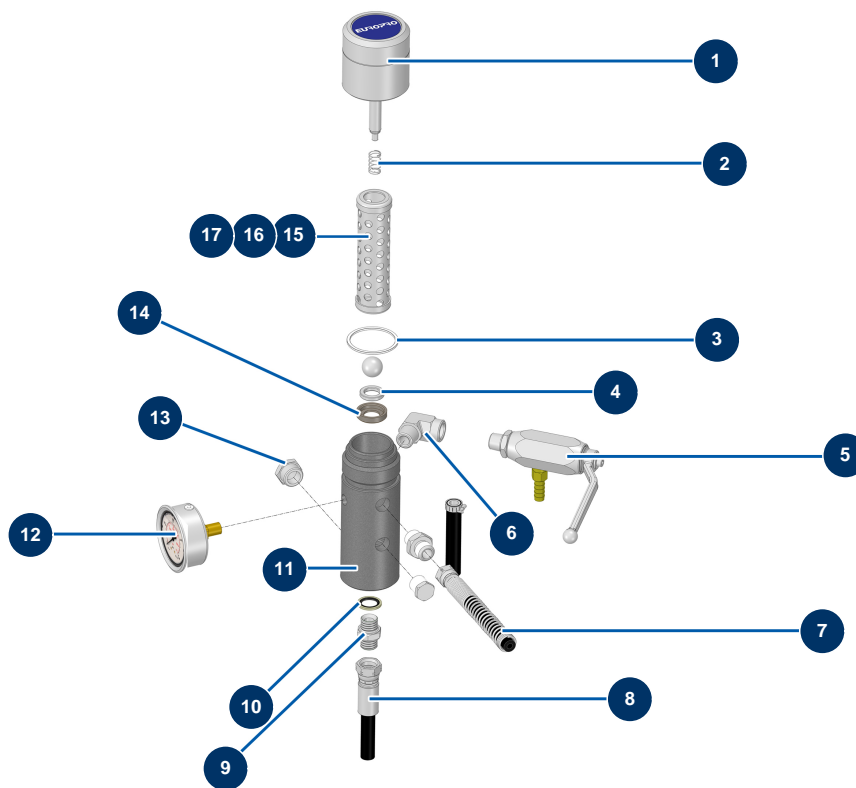


### Détails des pièces

Pos.	Référence	Désignation
1	51402	1
2	51436	
3	12521	10 x 35 cylindrical head screw
4	80261	ø 10 inox medium washer
5	30273	THEF 8 x 20 screw
6	30256	ø 8 inox narrow washer
7	20104	3/8" MaleD x 3/8" MaleD x 3/8" revolving Female high-pressure T
8	51437	
9	51503	
10	51509	
11	90872	1/2" MaleD x 3/8" MaleD high-pressure nipple
12	51439	
13	15167	Hydraulic pump locking pin 6/12L

Pos.	Référence	Désignation
14	15166	
15	15168	O-ring for 6/12L hydraulic pump
16	15181	Gasket kit hydraulic pump 6/12L
17	15170	
18	15171	
19	15524	
20	15174	
21	15175	O-ring for 6/12L hydraulic pump
22	15176	O-ring for 6/12L hydraulic pump
23	15177	
24	15178	
25	15179	
26	15521	O-ring for 6/12L hydraulic pump
27	15180	
28	15520	
29	15519	

## HYDROLINE L airless marking machine - Paint filter

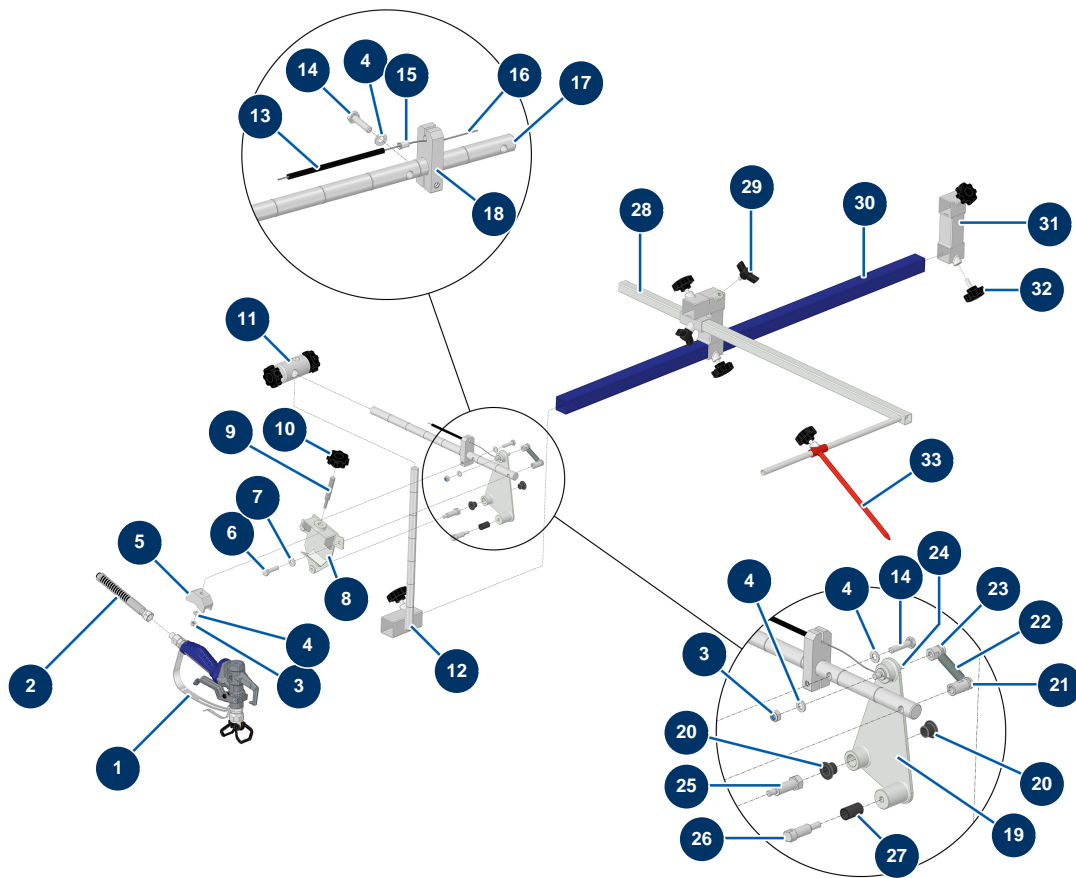


### Détails des pièces

Pos.	Référence	Désignation
1	15182	6/12L hydraulic pump filter plug
2	15183	Hydraulic pump filter spring 6/12L
3	15184	Joint filtre pompe hydraulique 6/12L
4	15185	O-ring for 6/12L hydraulic pump filter
5	15190	Vanne retour filtre pompe hydraulique 6/12L
6	15189	6
7	40052	2 x 1/4"F-F 15 m 270 bar high-pressure flexible hose
8	51439	
9	90698	3/8" MaleD x 3/8" MaleD high-pressure nipple
10	91031	Steel gasket for hollow screw with 3/8 lip
11	15187	Hydraulic pump filter body 6/12L
12	90433	63 mm oil manometer 1/4 conical 0 to 400 bar
13	90239	1/2" low-pressure male plug

Pos.	Référence	Désignation
14	15186	Hydraulic pump filter ball seat 6/12L
15	15230	5-mesh HYDROLINE pump filter
16	15129	50-mesh HYDROLINE pump filter
17	15130	100-mesh HYDROLINE pump filter

## HYDROLINE L airless marking machine - Spray bar

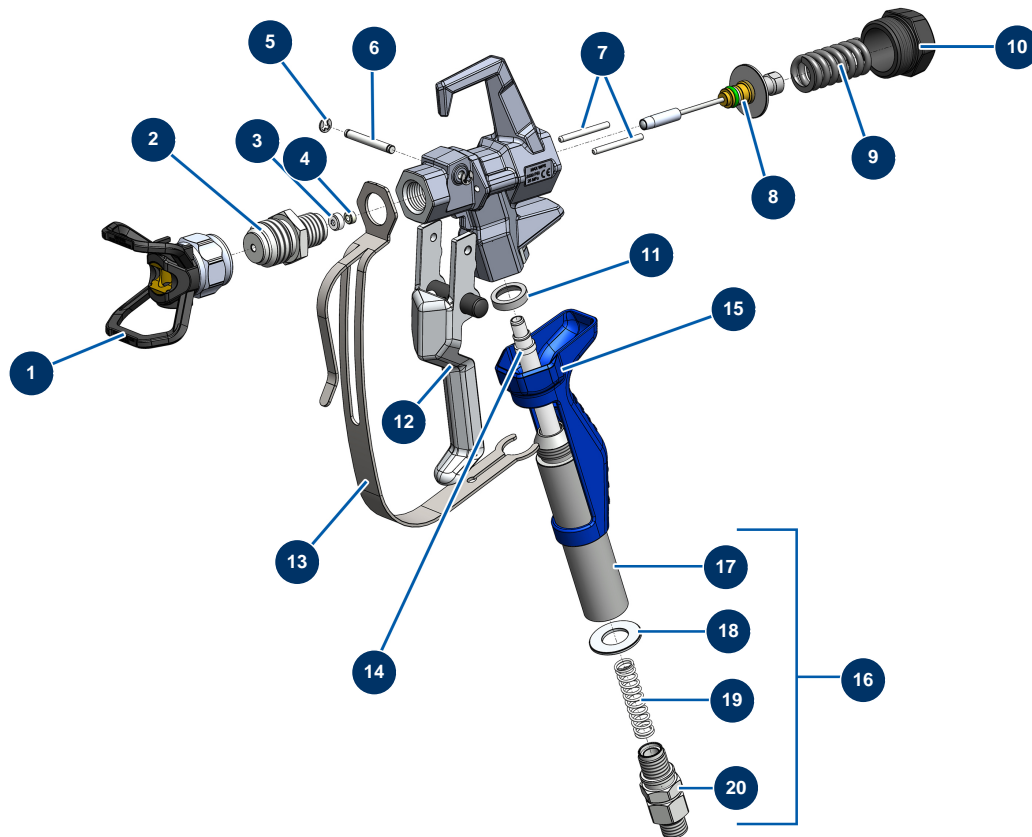


### Détails des pièces

Pos.	Référence	Désignation
1	51030	PAINTSPRAY spray-gun with 7/8" G tip holder
2	40052	2 x 1/4"F-F 15 m 270 bar high-pressure flexible hose
3	14217	M 6 nylstop inox nut
4	70087	ø 6 inox narrow washer
5	M10868	
6	30205	THEF 8 x 30 screw
7	80260	ø 8 inox medium washer
8	51426	Spray-gun trigger actuator for HYDROLINE marking machine
9	M10844	
10	13432	M10 plastic thumb wheel
11	M10848	11
12	C23711	12
13	51408	

Pos.	Référence	Désignation
14	14218	THEF 6 x 25 inox screw
15	51409	
16	51407	
17	M10847	17
18	M10863	
19	51427	Spray-gun mounting bracket for HYDROLINE marking machine
20	51432	
21	M10845	
22	51410	
23	M10852	
24	M10869	
25	M10854	
26	M10850	26
27	51431	
28	C23695	28
29	MI3T01505001	Mixer black Eye bolt diam 8
30	C23683	
31	C23690	31
32	11514	Plastic thumb wheel M8 x 20
33	C23705	33

## HYDROLINE L airless marking machine - PAINTSPRAY Spray-gun



### Détails des pièces

Pos.	Référence	Désignation
1	51001	BST, BBP & BFF 7/8" tip guard
2	51036	PAINTSPRAY spray-gun 7/8" diffuser
3	51047	PAINTSPRAY, COATSPRAY spray-gun needle seat gasket
4	51046	PAINTSPRAY, COATSPRAY spray-gun needle seat
5	51043	PAINTSPRAY, COATSPRAY spray-gun trigger axis circlip
6	51042	PAINTSPRAY spray-gun trigger axis
7	51040	PAINTSPRAY spray-gun retraction pin
8	51033	PAINTSPRAY spray-gun needle repair kit
9	51034	PAINTSPRAY, COATSPRAY spray-gun needle return spring
10	51038	PAINTSPRAY, COATSPRAY spray-gun needle lock plug
11	51031	PAINTSPRAY spray-gun filter holder bearing gasket
12	51039	PAINTSPRAY spray-gun complete trigger
13	51032	PAINTSPRAY spray-gun trigger protection

Pos.	Référence	Désignation
14	51003	Spray-gun grip 50-mesh filter
15	51037	PAINTSPRAY spray-gun plastic handle
16	51048	Complete revolving coupling for PAINTSPRAY spray-gun
17	51035	PAINTSPRAY spray-gun filter holder
18	51045	PAINTSPRAY, COATSPRAY spray-gun revolving coupling gasket
19	51041	PAINTSPRAY spray-gun filter holding spring
20	51044	1/4" MBSP revolving coupling for PAINTSPRAY spray-gun