

## HYDROLINE L airless self-propelled marking machine - 2 spray-guns - Chassis

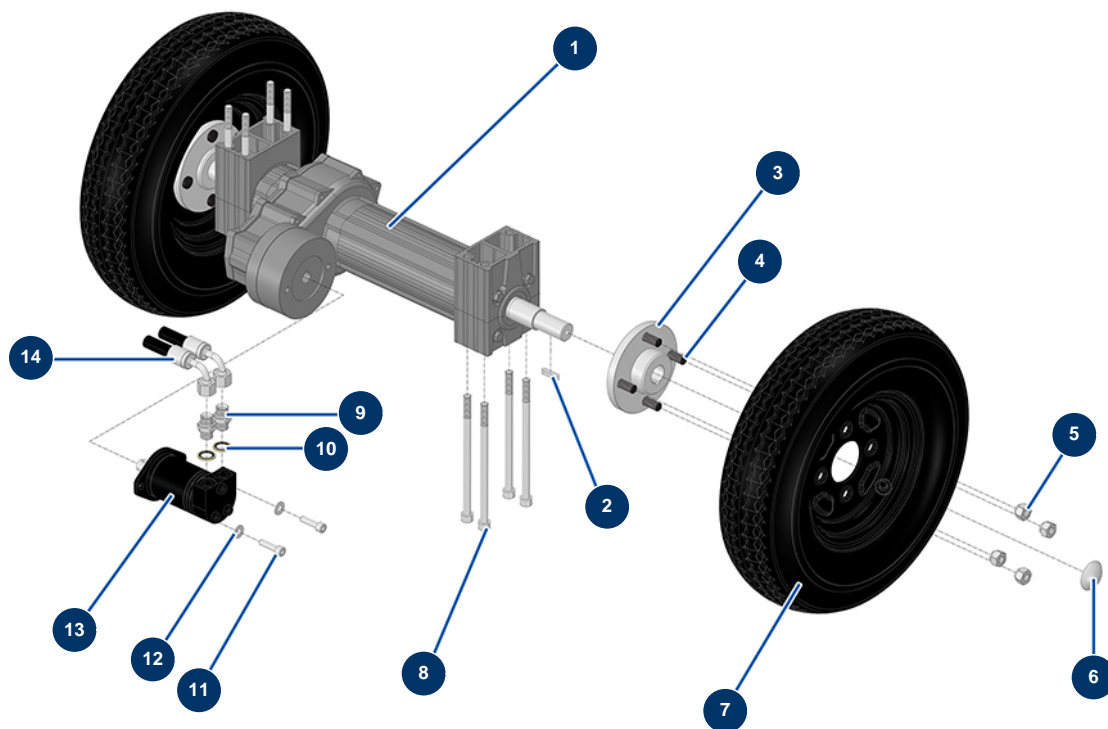


### Détails des pièces

Pos.	Référence	Désignation
1	13963	Ø40 x 30 stop - M8 inner thread
2	14075	M 8 inox nut
3	14930	THEF 8 x 80 screw
4	12142	MIXPRO 100 product trapdoor locking clamp
5	90157	M6 x 16 cylindrical head screw - CP 60
6	70087	ø 6 inox narrow washer
7	30292	ø 8 inox large washer
8	12111	8 x 20 inox cylindrical pan head screw
9	C23664	
10	40051	Suction strainer 3/4"F 10 meshes
11	51509	
12	14244	
13	1042523	CP 60 grid handle

Pos.	Référence	Désignation
14	C23708	
15	80260	∅ 8 inox medium washer
16	30298	THEF 8 x 10 screw
17	11514	Plastic thumb wheel M8 x 20
18	C23665	
19	90449	M 10 cap nut
20	90453	M 10 nut
21	12163	THEF 10 x 70 inox screw
22	13432	M10 plastic thumb wheel
23	M10851LP	
24	13978	M10 inox nut

## HYDROLINE L airless self-propelled marking machine - 2 spray-guns - Axle

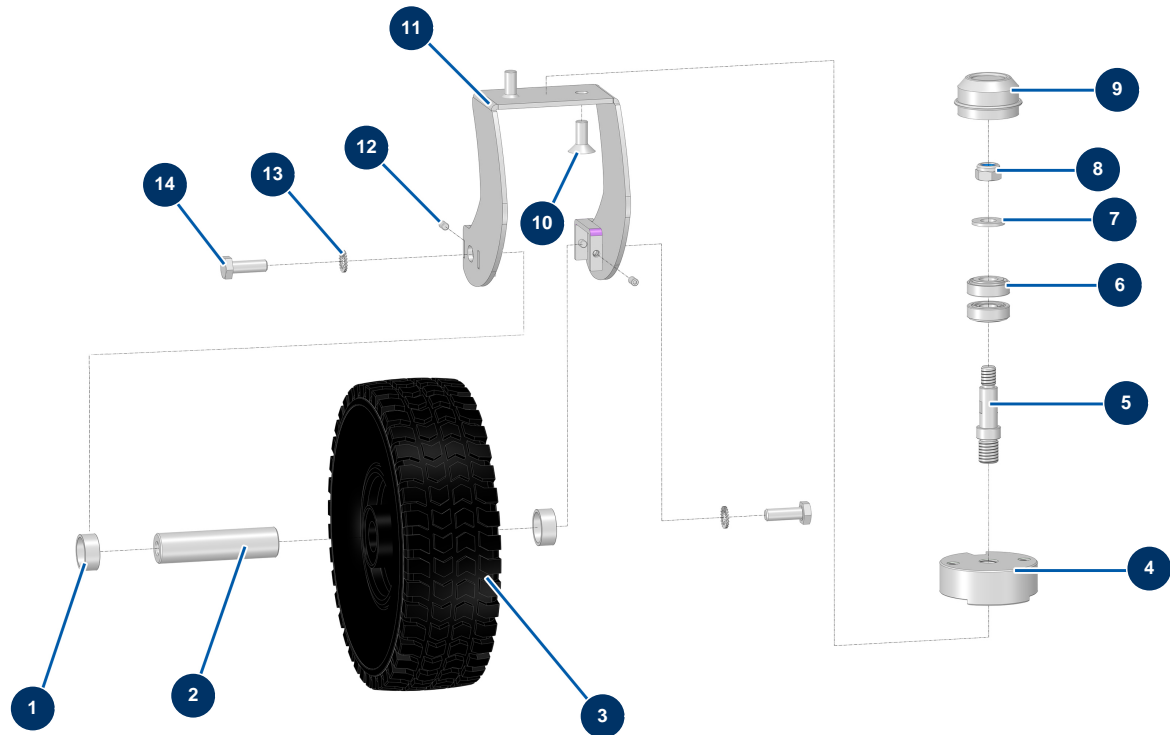


### Détails des pièces

Pos.	Référence	Désignation
1	51501	
2	12000	6 x 6 x 29 parallel key with round end
3	M10889LP	
4	51449	
5	51450	
6	90282	Ø25 chromed clip
7	51445	
8	15276	10 x 180 cylindrical head screw
9	90698	3/8" MaleD x 3/8" MaleD high-pressure nipple
10	91031	Steel gasket for hollow screw with 3/8 lip
11	90536	8 x 30 cylindrical head screw
12	80260	ø 8 inox medium washer
13	14528	

<b>Pos.</b>	<b>Référence</b>	<b>Désignation</b>
14	51507	

## HYDROLINE L airless self-propelled marking machine - 2 spray-guns - Front wheel support

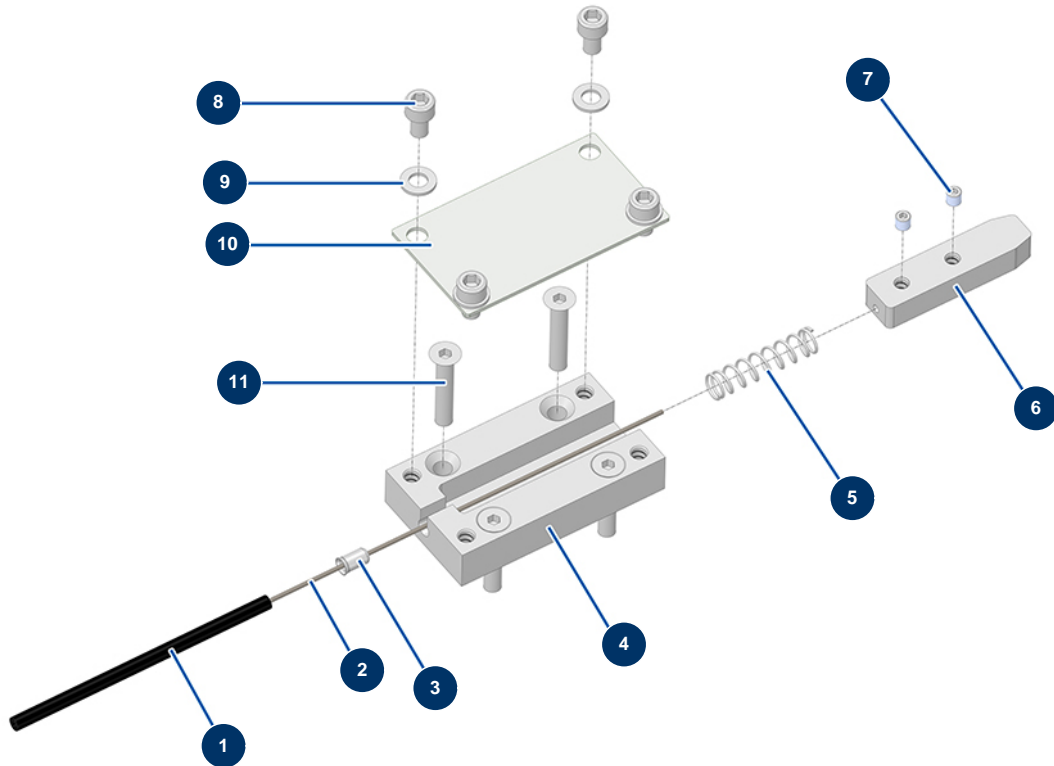


### Détails des pièces

Pos.	Référence	Désignation
1	M10855LP	
2	M10860LP	
3	51442	
4	M10846LP	
5	M10856LP	
6	51411	
7	14102	ø 12 inox medium washer
8	10051	M 12 nylstop nut
9	Nous consulter	9
10	14158	10 x 25 countersunk head screw
11	C23862	
12	90149	ALU lance countersunk screw

<b>Pos.</b>	<b>Référence</b>	<b>Désignation</b>
13	80267	ø 10 tooth washer
14	30258	THEF 10 x 30 screw

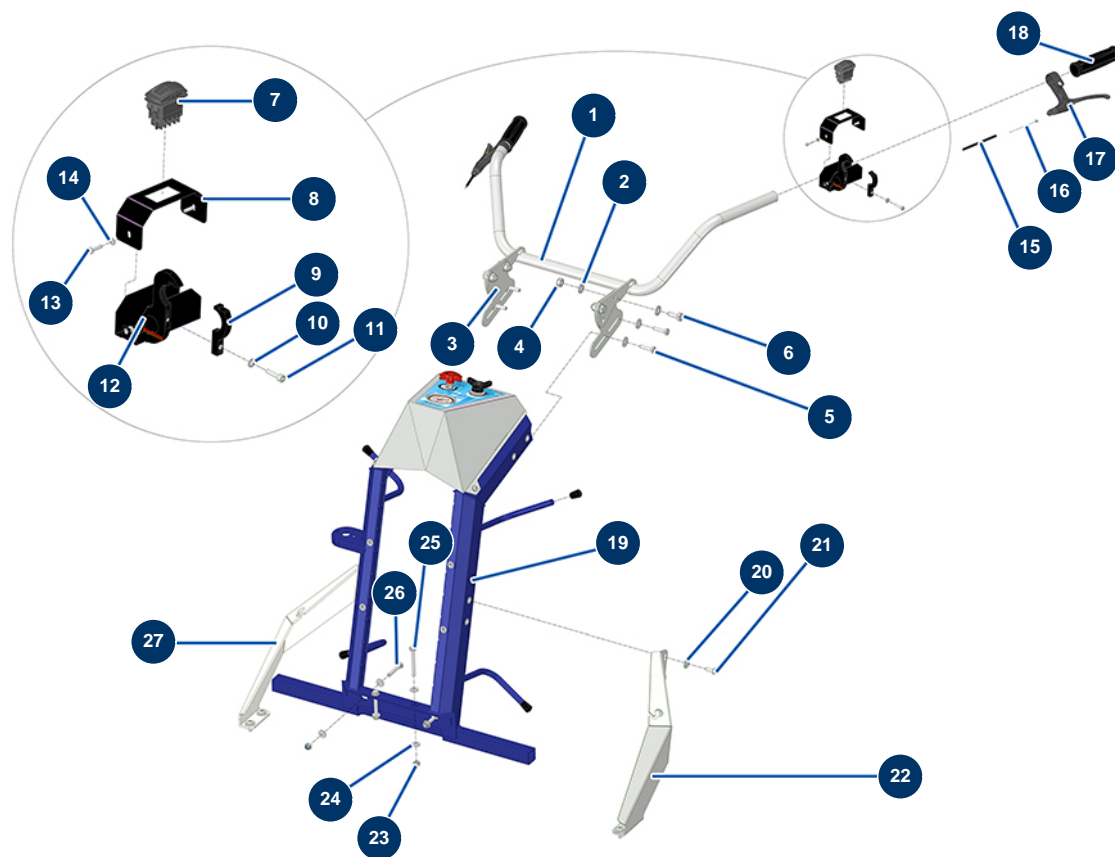
## HYDROLINE L airless self-propelled marking machine - 2 spray-guns - Front wheel lock



### Détails des pièces

Pos.	Référence	Désignation
1	51408	
2	51407	
3	51409	
4	M10864LP	
5	51435	
6	M10865LP	
7	11402	5 x 5 stainless steel socket head screw with flat tip
8	90798	M6 x 10 cylindrical head screw - CP 60 cylindrical head screw
9	70087	ø 6 inox narrow washer
10	C23673CST	
11	12850	6 x 30 countersunk head screw

## HYDROLINE L airless self-propelled marking machine - 2 spray-guns - Handlebars

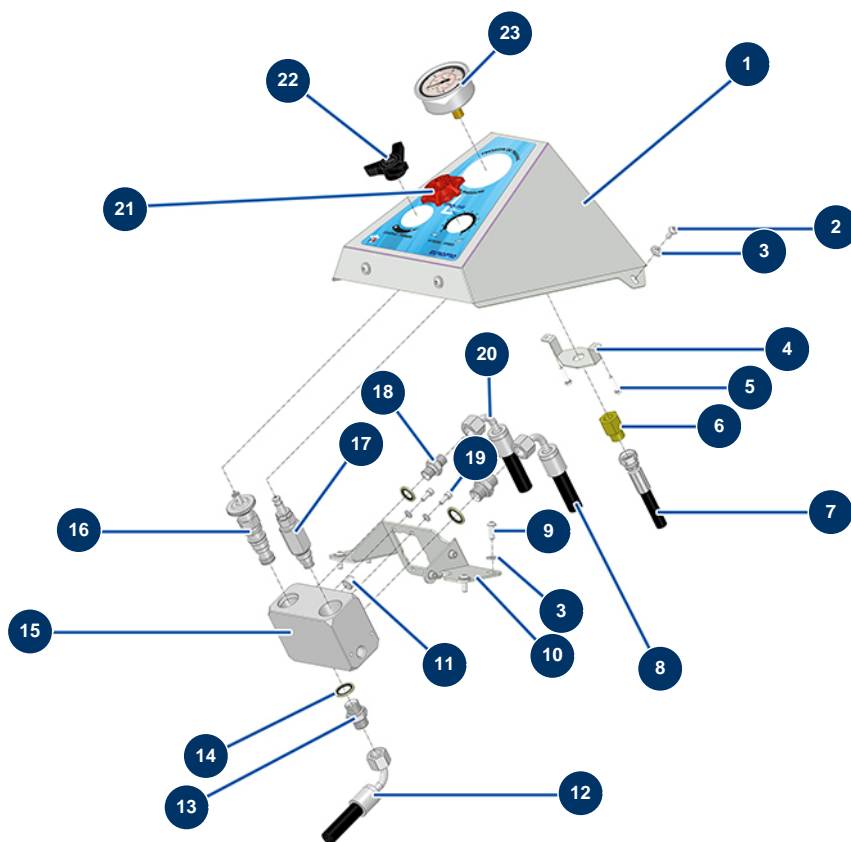


### Détails des pièces

Pos.	Référence	Désignation
1	C23679	
2	80261	ø 10 inox medium washer
3	C23661CST	
4	13981	M 10 nylstop inox nut
5	30205	THEF 8 x 30 screw
6	30257	THEF 10 x 25 screw
7	14525	
8	C22550C	
9	C22548C	
10	70085	ø 5 narrow washer
11	12863	5 x 20 inox cylindrical head screw
12	C22546C	

Pos.	Référence	Désignation
13	11721	4 x 16 inox cylindrical pan head screw
14	30267	∅ 4 inox narrow washer
15	51408	
16	51407	
17	51406	
18	90255	Arm handle for EUROPRO 24P, E50 and E100
19	C23676C	
20	30292	∅ 8 inox large washer
21	12111	8 x 20 inox cylindrical pan head screw
22	C23655	
23	90127	M 8 nylstop nut
24	80260	∅ 8 inox medium washer
25	12643	THEF 8 x 65 screw
26	11798	THEF 8 x 45 screw
27	C23656	

## HYDROLINE L airless self-propelled marking machine - 2 spray-guns - Control panel

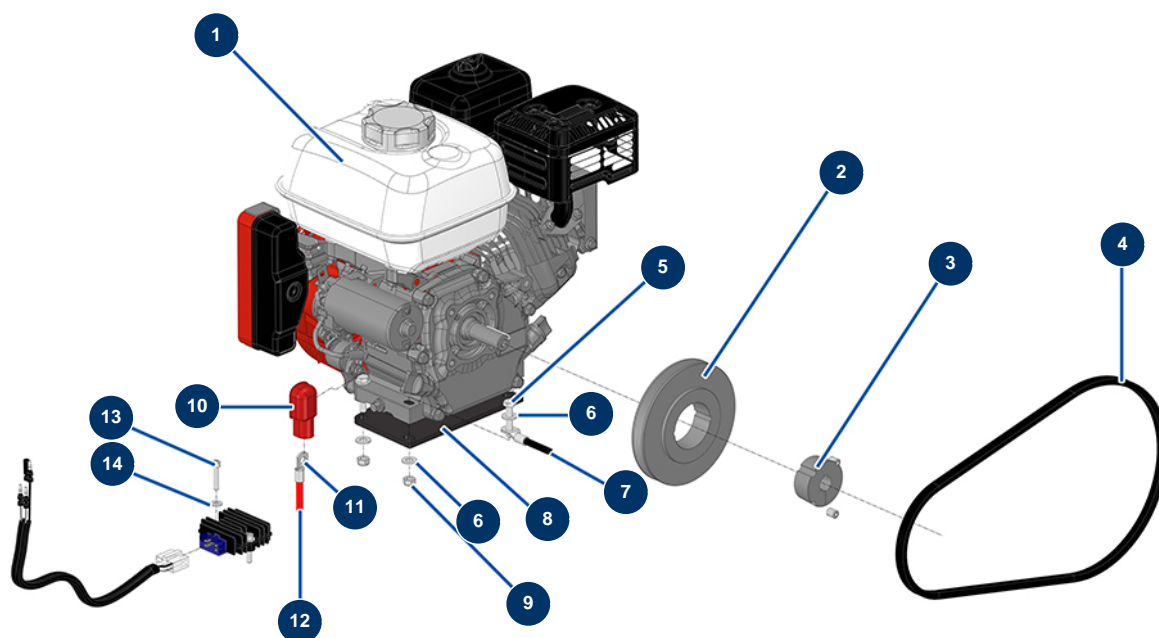


### Détails des pièces

Pos.	Référence	Désignation
1	C23698	
2	13197	Inox mushroom head screw M 6 x 12
3	80259	Ø 6 medium washer
4	C23717CST	
5	20376	THEF 4 x 20 screw
6	80326	3/8" MaleD x 1/4" FemaleC high-pressure nipple
7	51438	
8	51505	
9	11145	6 x 16 inox cylindrical pan head screw
10	C23659CST	
11	12576	1/4" MaleC Male high-pressure headless plug
12	51503	

<b>Pos.</b>	<b>Référence</b>	<b>Désignation</b>
13	90698	3/8" MaleD x 3/8" MaleD high-pressure nipple
14	91301	14
15	M10891	
16	51510	
17	51512	
18	90703	1/4" MaleD x 1/4" MaleD high-pressure nipple
19	90161	5 x 12 inox cylindrical head screw
20	51504	
21	M10231	Wheel for needle valve MIXPRO 14
22	51511	
23	90433	63 mm oil manometer 1/4 conical 0 to 400 bar

## HYDROLINE L airless self-propelled marking machine - 2 spray-guns - Motorisation

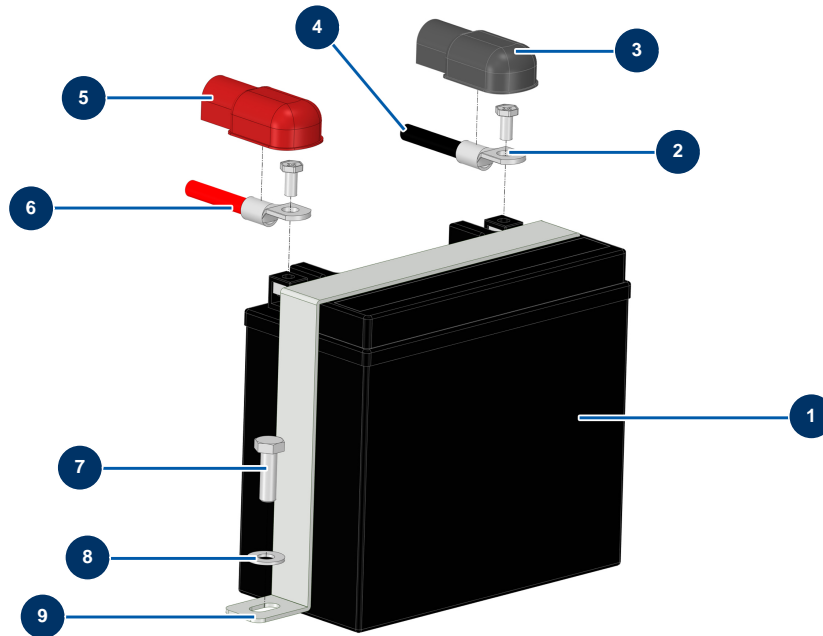


### Détails des pièces

Pos.	Référence	Désignation
1	14232	Petrol motor HONDA GX 200UT2-QX-E5-0H, electric start, 7 A
2	30370	13mm pulley without hub Ø 130
3	90760	Removable Ø 3/4" hub for 1610
4	12478	Compressor belt - C.P 60
5	30250	THEF 8 x 40 screw
6	80260	ø 8 inox medium washer
7	14900	16 mm² black battery cable by the metre
8	15380	
9	90127	M 8 nylstop nut
10	14557	Battery terminal red protection
11	14899	
12	15233	16 mm² red battery cable by the metre

<b>Pos.</b>	<b>Référence</b>	<b>Désignation</b>
13	90153	6 x 30 cylindrical head screw
14	80259	Ø 6 medium washer

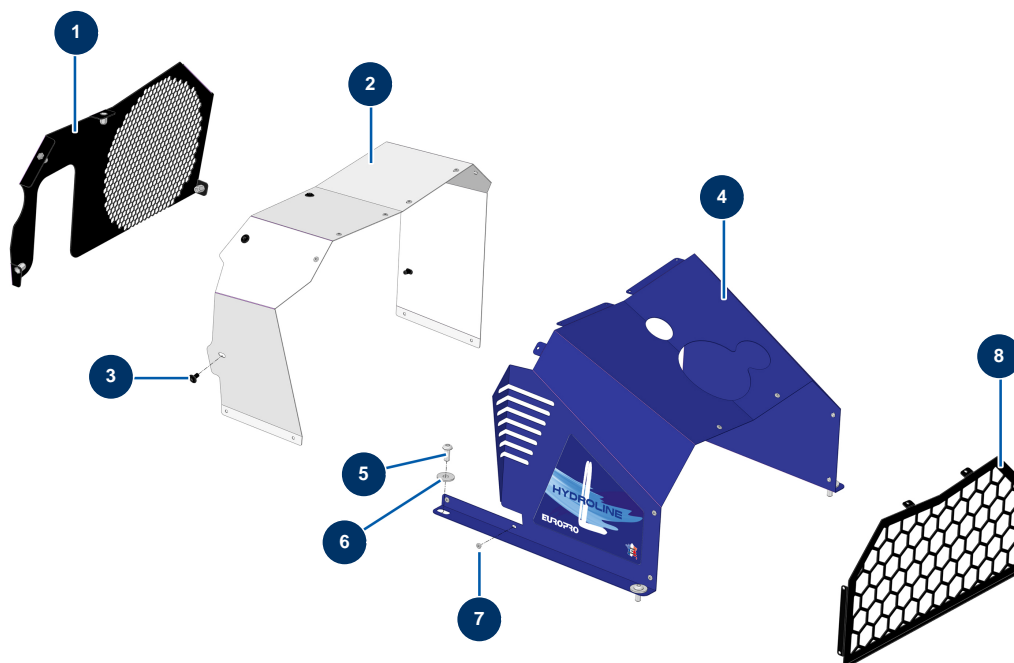
## HYDROLINE L airless self-propelled marking machine - 2 spray-guns - Battery



### Détails des pièces

Pos.	Référence	Désignation
1	14437	Diesel HP washer, E100 TH battery
2	14899	
3	14556	Battery terminal black protection
4	14900	16 mm <sup>2</sup> black battery cable by the metre
5	14557	Battery terminal red protection
6	15233	16 mm <sup>2</sup> red battery cable by the metre
7	11544	THEF 8 x 25 screw
8	80260	∅ 8 inox medium washer
9	C22813C	

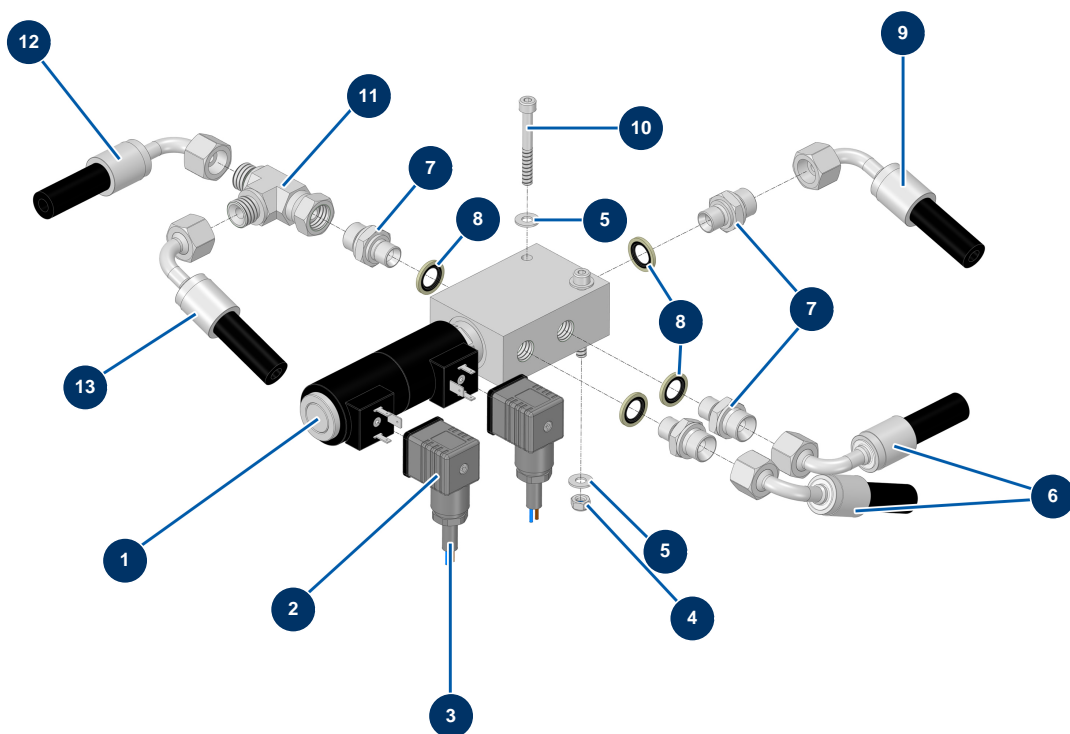
## HYDROLINE L airless self-propelled marking machine - 2 spray-guns - Crankcase



### Détails des pièces

Pos.	Référence	Désignation
1	C23649CST	
2	C23666CST	
3	15497	
4	C23667CST	
5	12111	8 x 20 inox cylindrical pan head screw
6	30292	ø 8 inox large washer
7	70072	ø 4 x 10 waterproof POP rivet
8	C23714CST	

## HYDROLINE L airless self-propelled marking machine - 2 spray-guns - Electrovalve

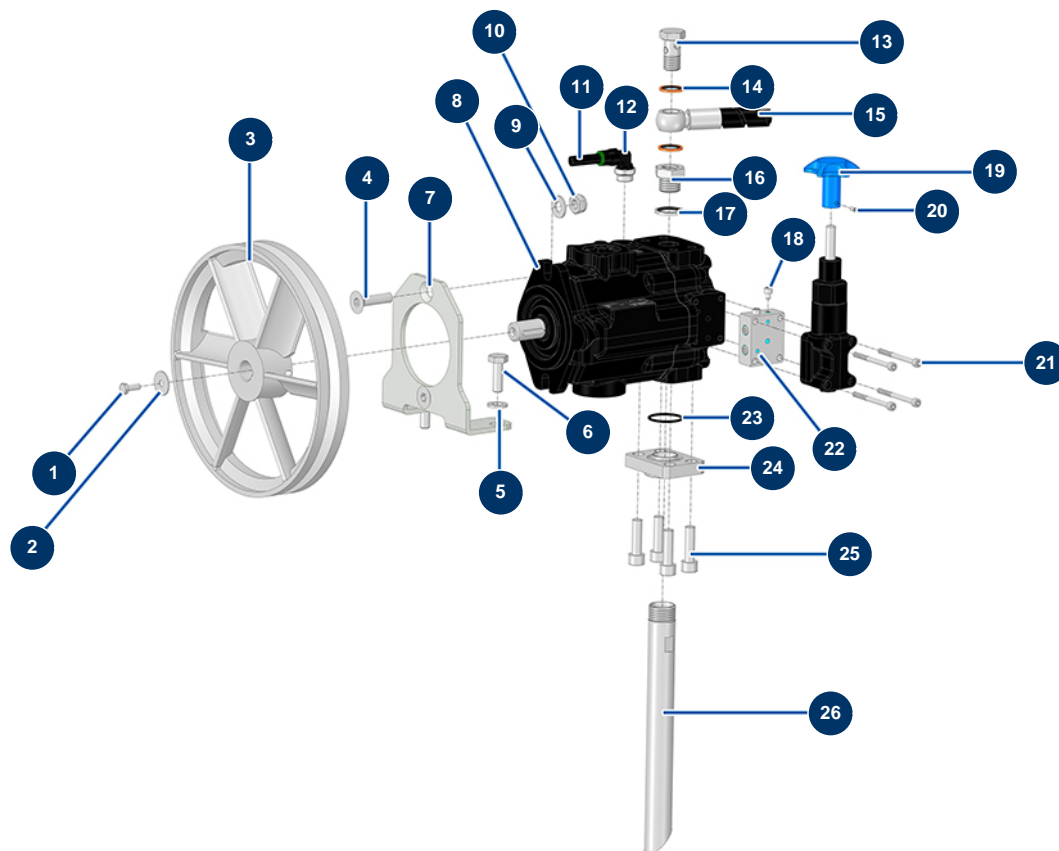


### Détails des pièces

Pos.	Référence	Désignation
1	14527	
2	14526	
3	60156	H05VVF electrical cable 2x1 by the metre
4	14217	M 6 nylstop inox nut
5	80259	Ø 6 medium washer
6	51507	
7	90704	1/4" MaleD x 3/8" MaleD high-pressure nipple
8	91016	Steel gasket for hollow screw with 1/4 lip
9	51505	
10	80618	6 x 50 cylindrical head screw
11	20104	3/8" MaleD x 3/8" MaleD x 3/8" revolving Female high-pressure T
12	51506	

Pos.	Référence	Désignation
13	51504	

## HYDROLINE L airless self-propelled marking machine - 2 spray-guns - Pump

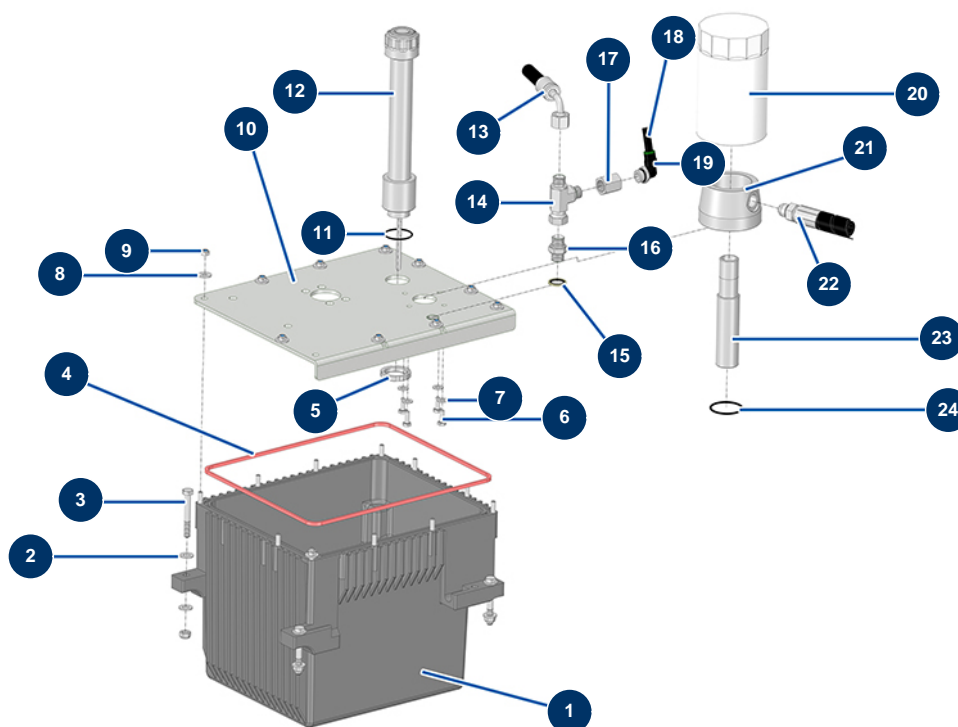


### Détails des pièces

Pos.	Référence	Désignation
1	12069	THEF 6 x 16 screw
2	80262	Very large inox washer Ø 6
3	51403	Hydraulic group pulley
4	14499	10 x 40 countersunk head screw
5	30280	ø 10 inox narrow washer
6	30258	THEF 10 x 30 screw
7	C23685	
8	14925	Constant pressure hydraulic pump
9	80261	ø 10 inox medium washer
10	13981	M 10 nylstop inox nut
11	30405	Calibrated polyurethane tube ø 7,5 x 10 black by the metre
12	14778	M3/8 ø 10 cylindrical elbow push-in connector
13	91033	3/8 drilled head screw

Pos.	Référence	Désignation
14	91029	3/8 copper gasket for hollow screw
15	51437	
16	12895	3/8" FemaleD x 1/2" MaleD high-pressure nipple
17	91032	Steel gasket for hollow screw with 1/2" lip
18	15278	5 x 6 cylindrical head screw
19	M10886	
20	310020	4 x 6 stainless steel socket head screw with flat tip
21	12456	5 x 60 cylindrical head screw
22	M10884	
23	1032076	30 x 2,50 O-ring
24	M10862LP	
25	12521	10 x 35 cylindrical head screw
26	M10887	

## HYDROLINE L airless self-propelled marking machine - 2 spray-guns - Hydraulic tank

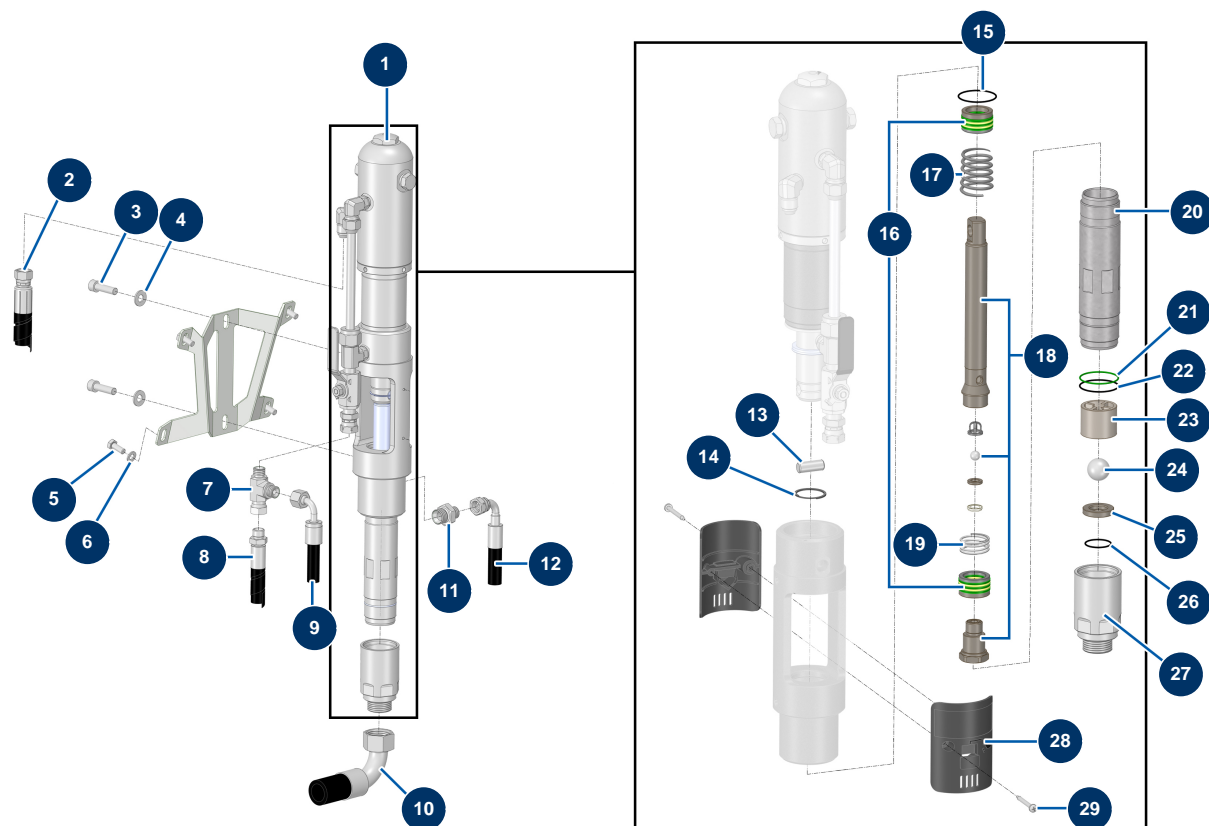


### Détails des pièces

Pos.	Référence	Désignation
1	51416	Hydraulic oil tank for HYDROLINE marking machine
2	80260	ø 8 inox medium washer
3	11799	8 x 60 THPF screw
4	51425	Hydraulic oil tank gasket for HYDROLINE marking machine
5	51422	Hydraulic oil tank retaining nut for HYDROLINE marking machine
6	12069	THEF 6 x 16 screw
7	80259	Ø 6 medium washer
8	30291	ø 6 large washer
9	20004	M 6 nylstop nut
10	C23716	
11	51424	O-ring for HYDROLINE marking machine hydraulic oil gauge
12	51415	Hydraulic tank oil dipstick for HYDROLINE marking machine

Pos.	Référence	Désignation
13	51506	
14	20104	3/8" MaleD x 3/8" MaleD x 3/8" revolving Female high-pressure T
15	91031	Steel gasket for hollow screw with 3/8 lip
16	90698	3/8" MaleD x 3/8" MaleD high-pressure nipple
17	90745	3/8" FemaleC x 3/8" FemaleC high-pressure nipple
18	30405	Calibrated polyurethane tube ø 7,5 x 10 black by the metre
19	14778	M3/8 ø 10 cylindrical elbow push-in connector
20	51413	
21	51414	Hydraulic oil filter seat for HYDROLINE marking machine
22	51436	
23	51421	Hydraulic oil return hose for HYDROLINE marking machine
24	51423	O-ring for HYDROLINE marking machine hydraulic oil filter

## HYDROLINE L airless self-propelled marking machine - 2 spray-guns - Paint pump

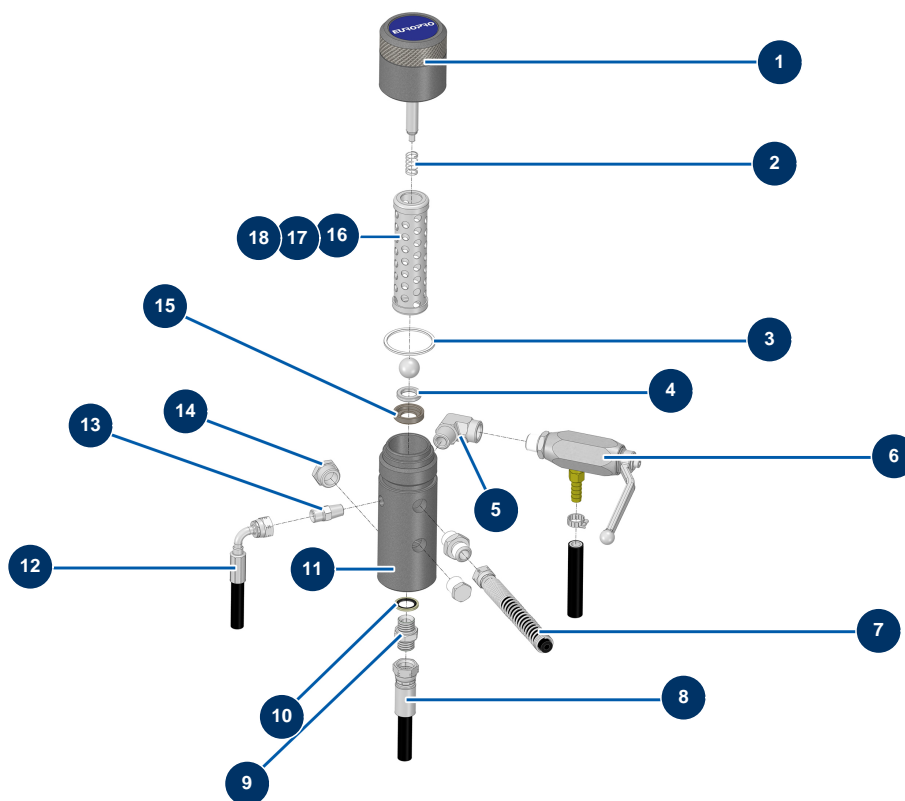


### Détails des pièces

Pos.	Référence	Désignation
1	51402	Complete hydraulic piston pump
2	51436	
3	12521	10 x 35 cylindrical head screw
4	80261	ø 10 inox medium washer
5	30273	THEF 8 x 20 screw
6	30256	ø 8 inox narrow washer
7	20104	3/8" MaleD x 3/8" MaleD x 3/8" revolving Female high-pressure T
8	51437	
9	51503	
10	51509	
11	90872	1/2" MaleD x 3/8" MaleD high-pressure nipple
12	51439	

<b>Pos.</b>	<b>Référence</b>	<b>Désignation</b>
13	15167	Hydraulic pump locking pin 6/12L
14	15166	
15	15168	O-ring for 6/12L hydraulic pump
16	15181	Gasket kit hydraulic pump 6/12L
17	15170	
18	15171	
19	15524	
20	15174	
21	15175	O-ring for 6/12L hydraulic pump
22	15176	O-ring for 6/12L hydraulic pump
23	15177	
24	15178	
25	15179	
26	15521	O-ring for 6/12L hydraulic pump
27	15180	
28	15520	
29	15519	

## HYDROLINE L airless self-propelled marking machine - 2 spray-guns - Paint filter

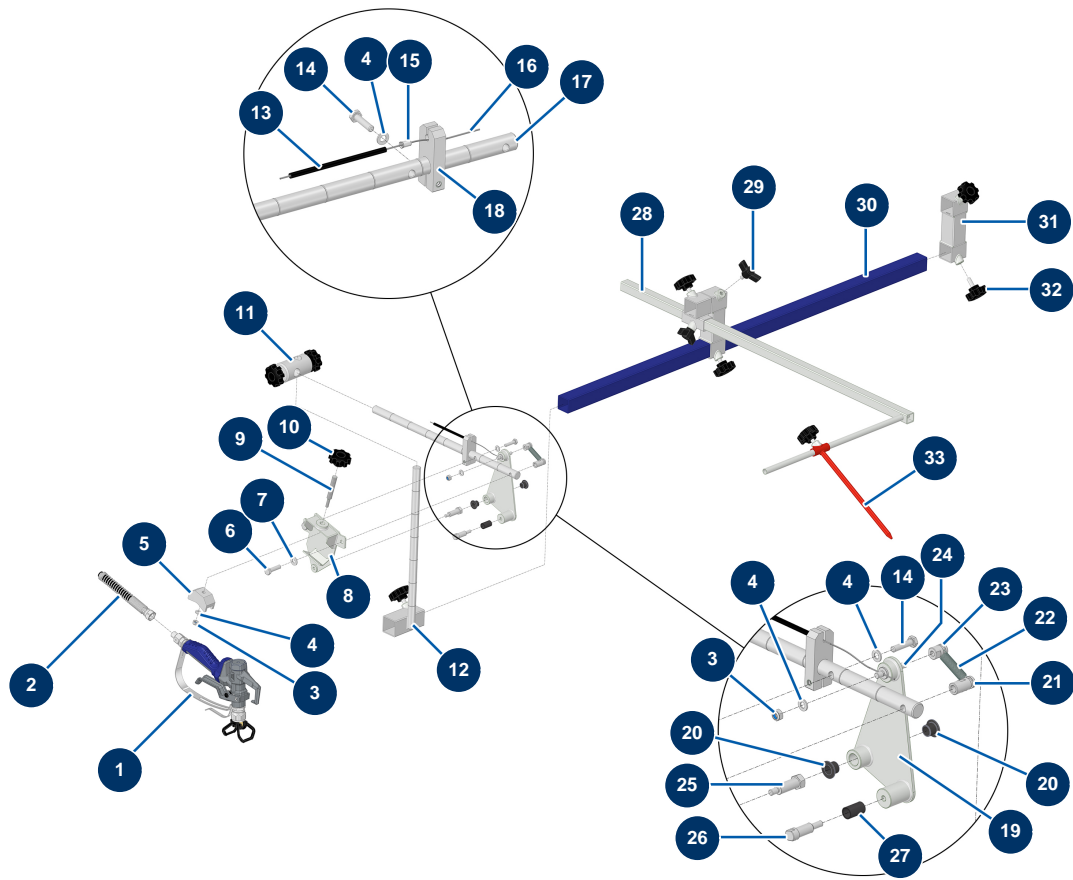


### Détails des pièces

Pos.	Référence	Désignation
1	15182	6/12L hydraulic pump filter plug
2	15183	Hydraulic pump filter spring 6/12L
3	15184	Joint filtre pompe hydraulique 6/12L
4	15185	O-ring for 6/12L hydraulic pump filter
5	15189	
6	15190	Vanne retour filtre pompe hydraulique 6/12L
7	40052	2 x 1/4"F-F 15 m 270 bar high-pressure flexible hose
8	51439	
9	90698	3/8" MaleD x 3/8" MaleD high-pressure nipple
10	91031	Steel gasket for hollow screw with 3/8 lip
11	15187	Hydraulic pump filter body 6/12L
12	51438	

<b>Pos.</b>	<b>Référence</b>	<b>Désignation</b>
13	80512	1/4" MaleC x 1/4" MaleD high-pressure nipple
14	90239	1/2" low-pressure male plug
15	15186	Hydraulic pump filter ball seat 6/12L
16	15230	5-mesh HYDROLINE pump filter
17	15129	50-mesh HYDROLINE pump filter
18	15130	100-mesh HYDROLINE pump filter

## HYDROLINE L airless self-propelled marking machine - 2 spray-guns - Spray bar

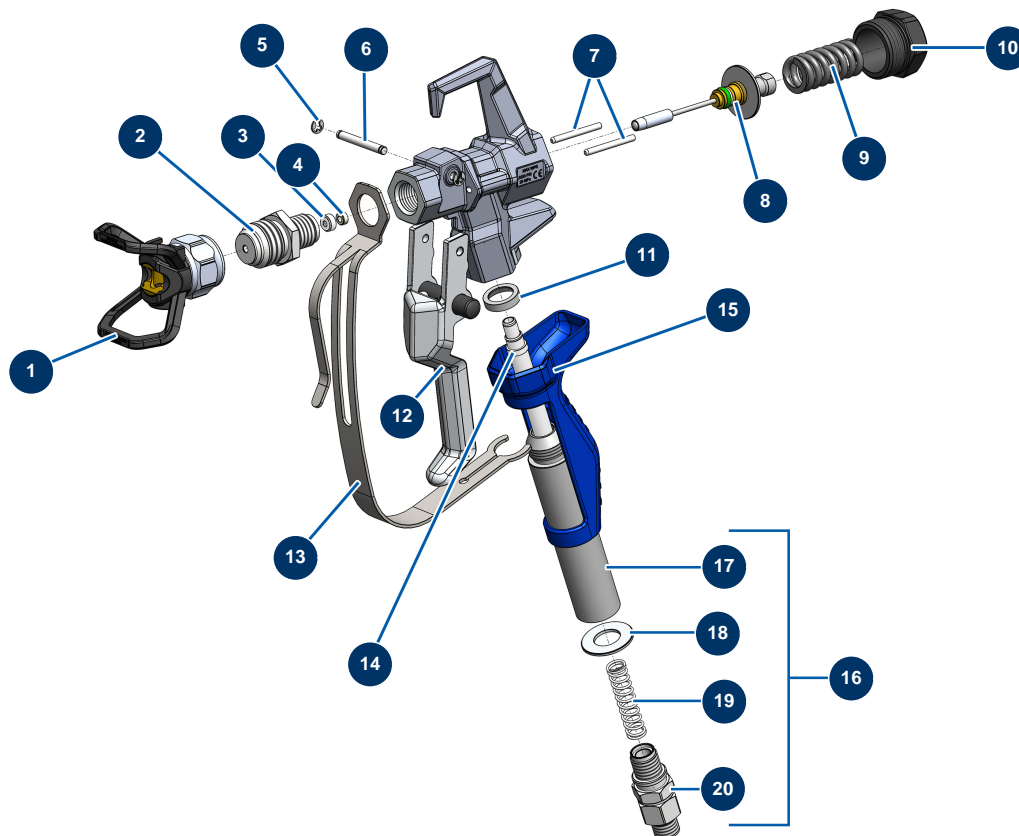


### Détails des pièces

Pos.	Référence	Désignation
1	51030	PAINTSPRAY spray-gun with 7/8" G tip holder
2	40052	2 x 1/4"F-F 15 m 270 bar high-pressure flexible hose
3	14217	M 6 nylstop inox nut
4	70087	ø 6 inox narrow washer
5	M10868	
6	30205	THEF 8 x 30 screw
7	80260	ø 8 inox medium washer
8	51426	Spray-gun trigger actuator for HYDROLINE marking machine
9	M10844	
10	13432	M10 plastic thumb wheel
11	M10848	
12	C23711	

Pos.	Référence	Désignation
13	51408	
14	14218	THEF 6 x 25 inox screw
15	51409	
16	51407	
17	M10847	
18	M10863	
19	51427	Spray-gun mounting bracket for HYDROLINE marking machine
20	51432	
21	M10845	
22	51410	
23	M10852	
24	M10869	
25	M10854	
26	M10850	
27	51431	
28	C23695	
29	MI3T01505001	Mixer black Eye bolt diam 8
30	C23683	
31	C23690	
32	11514	Plastic thumb wheel M8 x 20
33	C23705C	

## HYDROLINE L airless self-propelled marking machine - 2 spray-guns - PAINTSPRAY Spray-gun



### Détails des pièces

Pos.	Référence	Désignation
1	51001	BST, BBP & BFF 7/8" tip guard
2	51036	PAINTSPRAY spray-gun 7/8" diffuser
3	51047	PAINTSPRAY, COATSPRAY spray-gun needle seat gasket
4	51046	PAINTSPRAY, COATSPRAY spray-gun needle seat
5	51043	PAINTSPRAY, COATSPRAY spray-gun trigger axis circlip
6	51042	PAINTSPRAY spray-gun trigger axis
7	51040	PAINTSPRAY spray-gun retraction pin
8	51033	PAINTSPRAY spray-gun needle repair kit
9	51034	PAINTSPRAY, COATSPRAY spray-gun needle return spring
10	51038	PAINTSPRAY, COATSPRAY spray-gun needle lock plug
11	51031	PAINTSPRAY spray-gun filter holder bearing gasket
12	51039	PAINTSPRAY spray-gun complete trigger

<b>Pos.</b>	<b>Référence</b>	<b>Désignation</b>
13	51032	PAINTSPRAY spray-gun trigger protection
14	51003	Spray-gun grip 50-mesh filter
15	51037	PAINTSPRAY spray-gun plastic handle
16	51048	Complete revolving coupling for PAINTSPRAY spray-gun
17	51035	PAINTSPRAY spray-gun filter holder
18	51045	PAINTSPRAY, COATSPRAY spray-gun revolving coupling gasket
19	51041	PAINTSPRAY spray-gun filter holding spring
20	51044	1/4" MBSP revolving coupling for PAINTSPRAY spray-gun