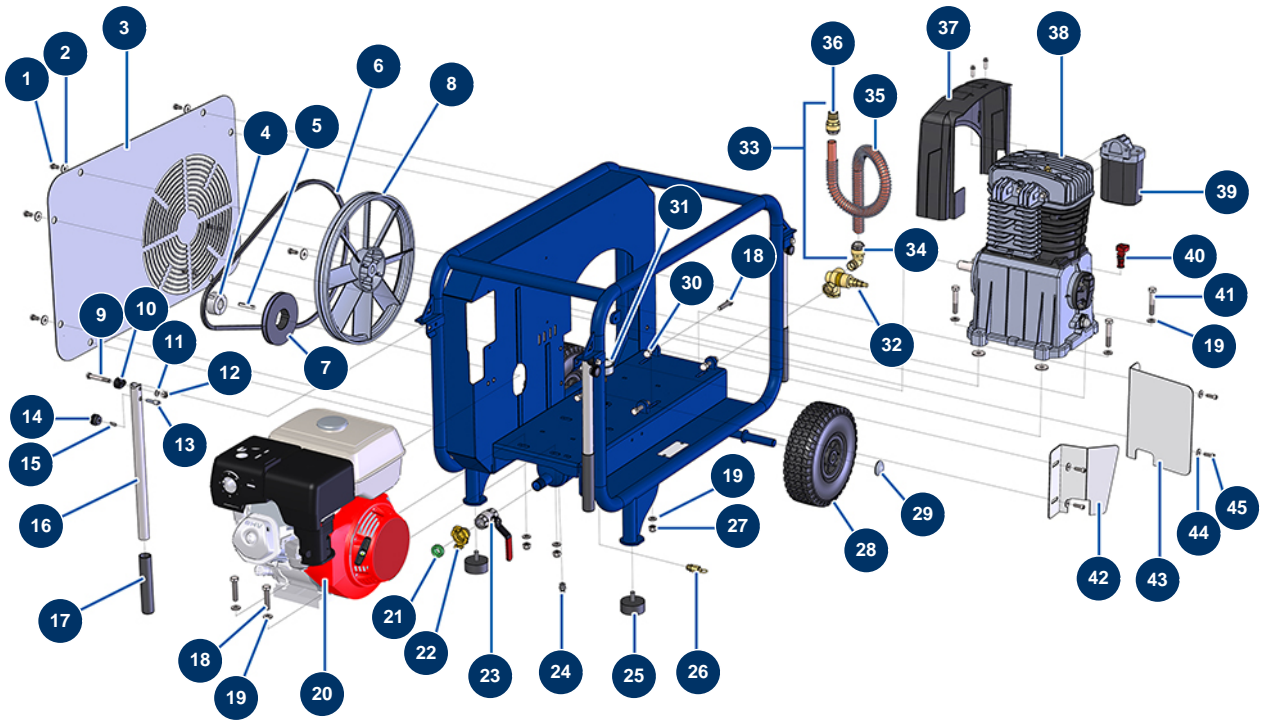


## EUROPRO 50 TH compressor HONDA starting with launcher - General view

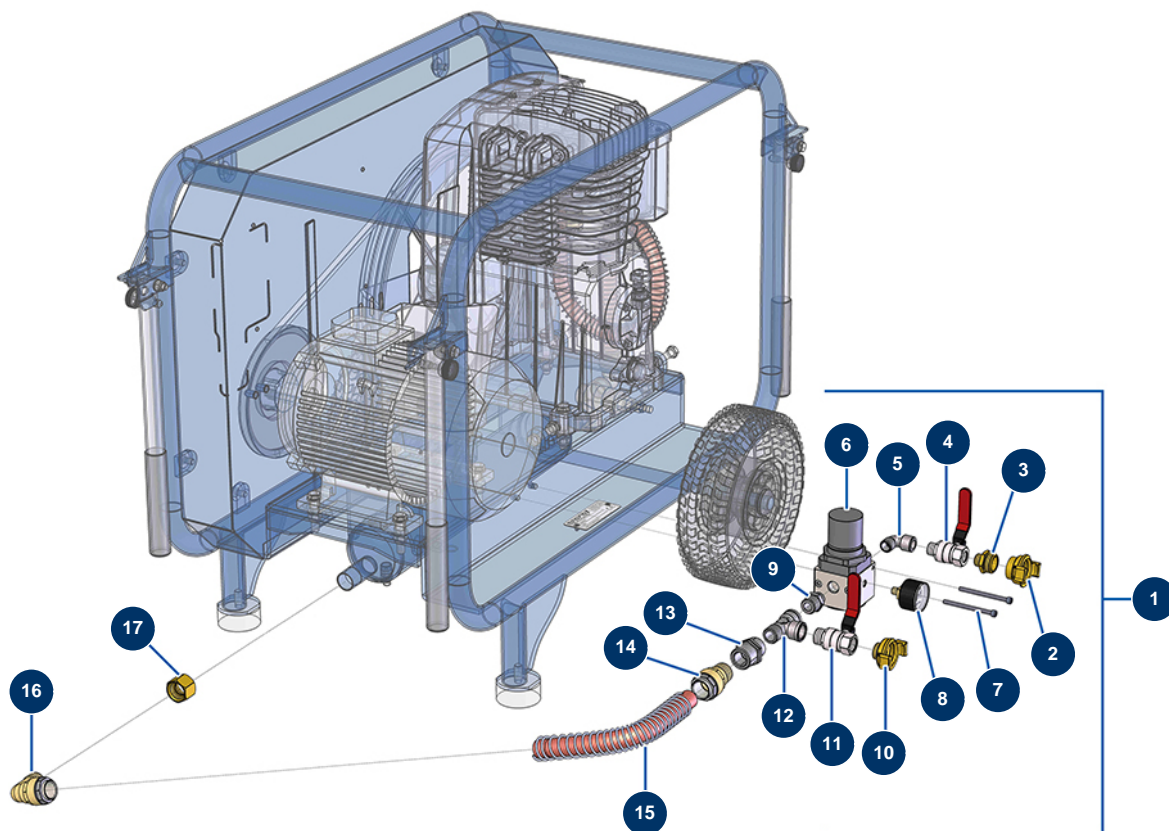


### Détails des pièces

Pos.	Référence	Désignation
1	30295	THEF 8 x 16 screw
2	30292	ø 8 inox large washer
3	90772	EUROPRO 45 and 50 compressor right grid
4	90558	Removable hub Ø 1" for 1610
5	90752	6,35 x 6,35 x 50 parallel key with round end
6	90845	10 SPZ 1650 E45TH V-belt
7	90557	10 pulley without hub Ø 140
8	90771	EUROPRO 50 head pulley
9	11799	8 x 60 THPF screw
10	11466	Plastic arm spacer
11	80260	ø 8 inox medium washer
12	90127	M 8 nylstop nut
13	90179	EUROPRO 30+,36 and 40 compressor arm latch

Pos.	Référence	Désignation
14	20001	EUROPRO 30+,36 and 40 compressor arm button
15	60040	Compressor trigger spring
16	11449	EUROPRO 50 et 100 compressor arm
17	90255	Arm handle for EUROPRO 24P, E50 and E100
18	30260	THEF 10 x 50 screw
19	80261	ø 10 inox medium washer
20	90618	Petrol motor HONDA GX 270 QX-Q4-OH 9 HP
21	11372	High temperature quick-fit connector gasket
22	70100	3/4" outer threaded quick fit coupling
23	11382	Red handle valve F3/4" x F3/4"
24	30133	1/4" male compressor tank purge
25	90196	Ø 60 x 25 M10 stop
26	80097	1/4" certified outer threaded safety valve 11 bar
27	60013	M 10 nylstop nut
28	80001	Complete wheel 260 shaft of 20 for 6,8,14P, MPE 80 and 200, 7000z, 9000z
29	90281	Ø20 chromed clip
30	90449	M 10 cap nut
31	80700	Cylindrical oil 1/4 axial manometer 50 mm 0 to 16 bar
32	90138	3/4" autonomous drain valve
33	11291	E 50-2 compressor outlet air hose
34	11383	Elbow push-in connector for EUROPRO 50-3, 100-3 compressor hose
35	10688	Spring for E100 steel compressor outlet pipe
36	11198	Push-in connector for EUROPRO 50-3, 100-3 compressor hose
37	90132	EUROPRO 50 head cover
38	90458	EUROPRO 50 compression head
39	91390	EUROPRO 50 complete air filter from 01/09/04
40	90841	EUROPRO 50 (BK119) and 100 (BK20) compressor filler plug
41	12770	10 x 60 THPF screw
42	11231	E50 compressor right deflector
43	11232	E50 compressor left deflector on air outlet side
44	30291	ø 6 large washer
45	90996	6 x 20 inox cylindrical head screw

## EUROPRO 50 TH compressor HONDA starting with launcher - Air regulator kit option



### Détails des pièces

Pos.	Référence	Désignation
1	14847	Thermal compressor air regulator kit
2	12117	3/4" inner threaded Geka coupling
3	80566	3/8" MaleD x 3/4" MaleD low-pressure nipple
4	90011	Red handle valve M3/8" x F3/8"
5	30120	Elbow BP 90° 3/8 MaleC x 3/8 FemaleD
6	14836	6
7	12447	5 x 70 cylindrical head screw
8	80023	Axial manometer 1/8 conical 40 mm 0 to 10 bar
9	80339	3/8" MaleC x 1/2" MaleC low-pressure nipple
10	13572	1/2" outer threaded Geka coupling"
11	90023	Red handle valve M1/2" x F1/2"
12	12205	M1/2" x F1/2" x F1/2" low pressure T

<b>Pos.</b>	<b>Référence</b>	<b>Désignation</b>
13	10945	3/4" FemaleD x 1/2" FemaleD low-pressure nipple
14	11198	Push-in connector for EUROPRO 50-3, 100-3 compressor hose
15	10688	Spring for E100 steel compressor outlet pipe
16	11383	Elbow push-in connector for EUROPRO 50-3, 100-3 compressor hose
17	11311	3/4" FemaleD x 3/4" FemaleD low-pressure nipple