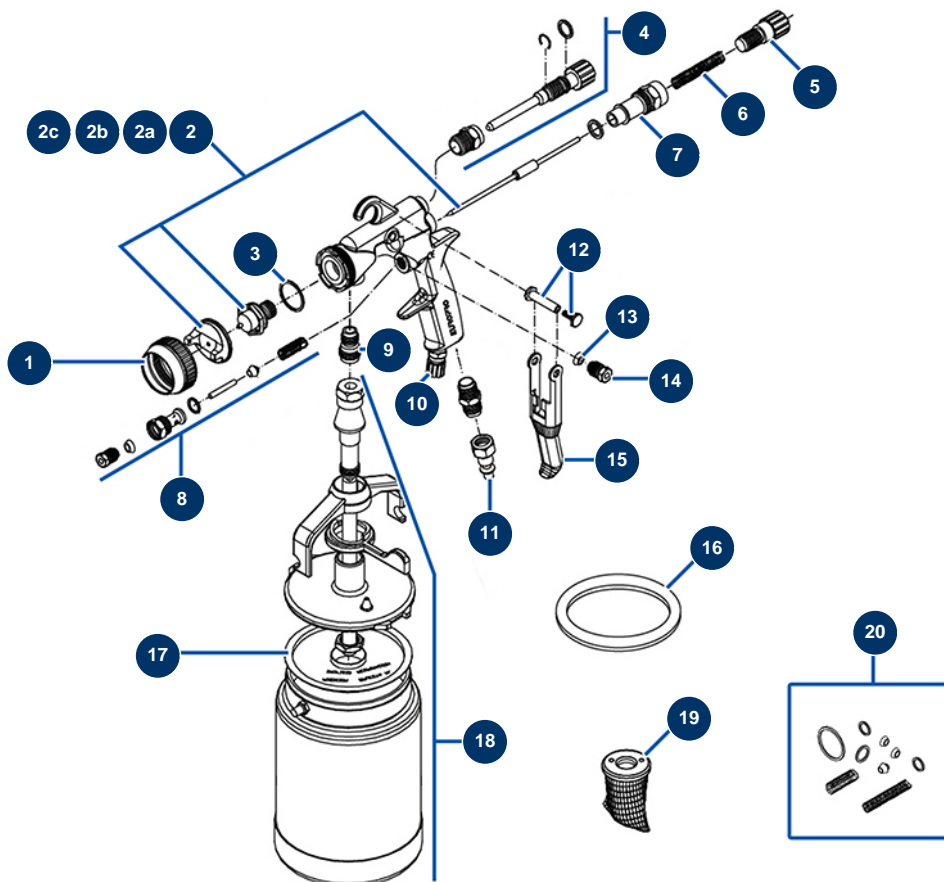


## AC-20-A paint spray-gun - General view



### Détails des pièces

Pos.	Référence	Désignation
1	AC10161	AC20A/25G, AC35A/40G spray-gun nozzle ring
2	AC20140	Ø 1,40mm needle kit for AC-20-A
2a	AC20175	Ø 1,75mm needle kit for AC-20-A
2b	AC20220	Ø 2,20mm needle kit for AC-20-A
2c	AC20280	Ø 2,80mm needle kit for AC-20-A
3	AC10011	AC10A/15G, AC20A/25G, AC55P (x 5) paint spray-gun nozzle gasket
4	AC10073	AC20A/55P and 55 spray-gun air flow adjustment knob
5	AC10035	AC20A/25G/55P painting spray-gun product flow adjustment knob
6	AC10034	AC20A/25G, AC35A/40G (x2) paint spray-gun needle spring
7	AC10032	AC20A/25G, AC35A/40G, AC55P spray-gun product flow adjustment knob screw
8	AC10431	AC20A/25G/35A/40G/55P painting spray-gun air valve
9	AC10121	AC10A, AC20A paint spray-gun product inlet coupling
10	AC10674	AC20A/25G/55P spray-gun air regulator

Pos.	Référence	Désignation
11	80091	Male quick fit coupling inner threaded 1/4" Ø 6
12	AC10696	AC spray gun complete trigger axis HV230/240, AC20A/25G/35A/40G/55P
13	AC10206	AC10A/15G/20A/25G/35A/40G/55P (x 5) paint spray-gun gland gasket
14	AC10046	AC10A/15G/20A/25G/35A/40G/55P spray-gun cable gland nut
15	AC10679	AC20A/35A/55P spray-gun trigger
16	AC10797	HV230, AC20A/35A ( x5 ) spray-gun bowl gasket
17	AC10483	AC20A/35A anti-return valve x 5
18	AC10782	AC20A/35A spray-gun complete bowl 1L
19	90147	Lower bowl strainer x 5
20	AC10574	AC20A spray-gun gasket kit