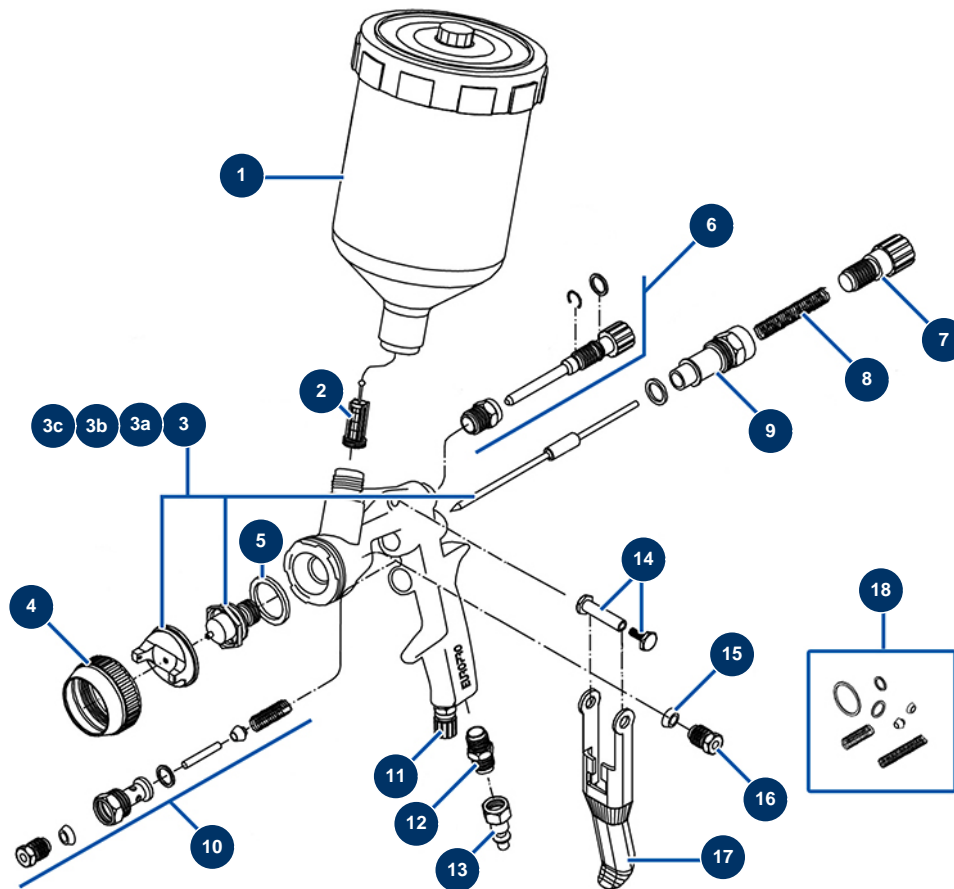


AC-25-G paint spray-gun - General view



Détails des pièces

Pos.	Référence	Désignation
1	90159	AC-40-45 G & MP 1001 G upper bowl
2	90688	AC-40-G upper bowl strainer x 5
3	AC25140	Ø 1,40mm needle kit for AC-25-G
3a	AC25175	Ø 1,75mm needle kit for AC-25-G
3b	AC25220	Ø 2,20mm needle kit for AC-25-G
3c	AC25280	Ø 2,80mm needle kit for AC-25-G
4	AC10161	AC20A/25G, AC35A/40G spray-gun nozzle ring
5	AC10011	AC10A/15G, AC20A/25G, AC55P (x 5) paint spray-gun nozzle gasket
6	AC10700	AC25G spray-gun air flow adjustment knob
7	AC10035	AC20A/25G/55P painting spray-gun product flow adjustment knob
8	AC10034	AC20A/25G, AC35A/40G (x2) paint spray-gun needle spring
9	AC10032	AC20A/25G, AC35A/40G, AC55P spray-gun product flow adjustment knob screw
10	AC10431	AC20A/25G/35A/40G/55P painting spray-gun air valve

Pos.	Référence	Désignation
11	AC10674	AC20A/25G/55P spray-gun air regulator
12	90844	1/4" MaleD x 1/4" MaleD low-pressure nipple
13	80091	Male quick fit coupling inner threaded 1/4" Ø 6
14	AC10178	AC spray gun complete trigger axis
15	AC10206	AC10A/15G/20A/25G/35A/40G/55P (x 5) paint spray-gun gland gasket
16	AC10046	AC10A/15G/20A/25G/35A/40G/55P spray-gun cable gland nut
17	AC10038	AC10A/15G/25G/40G spray-gun trigger
18	AC10571	AC25G spray-gun gasket kit