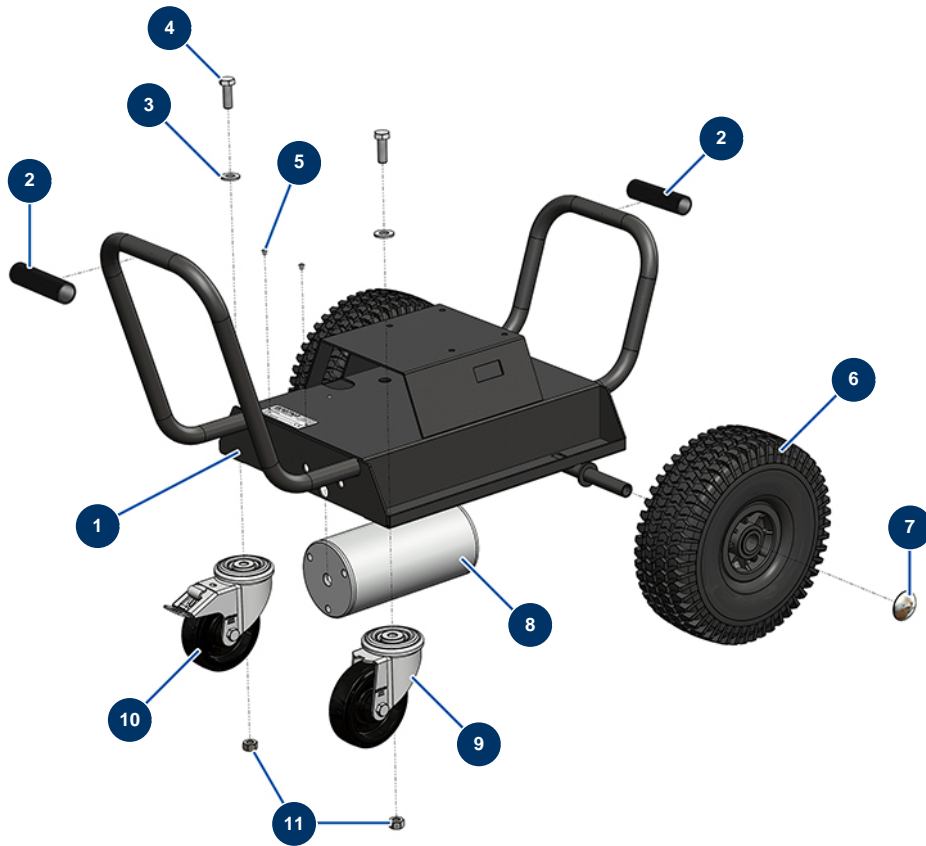


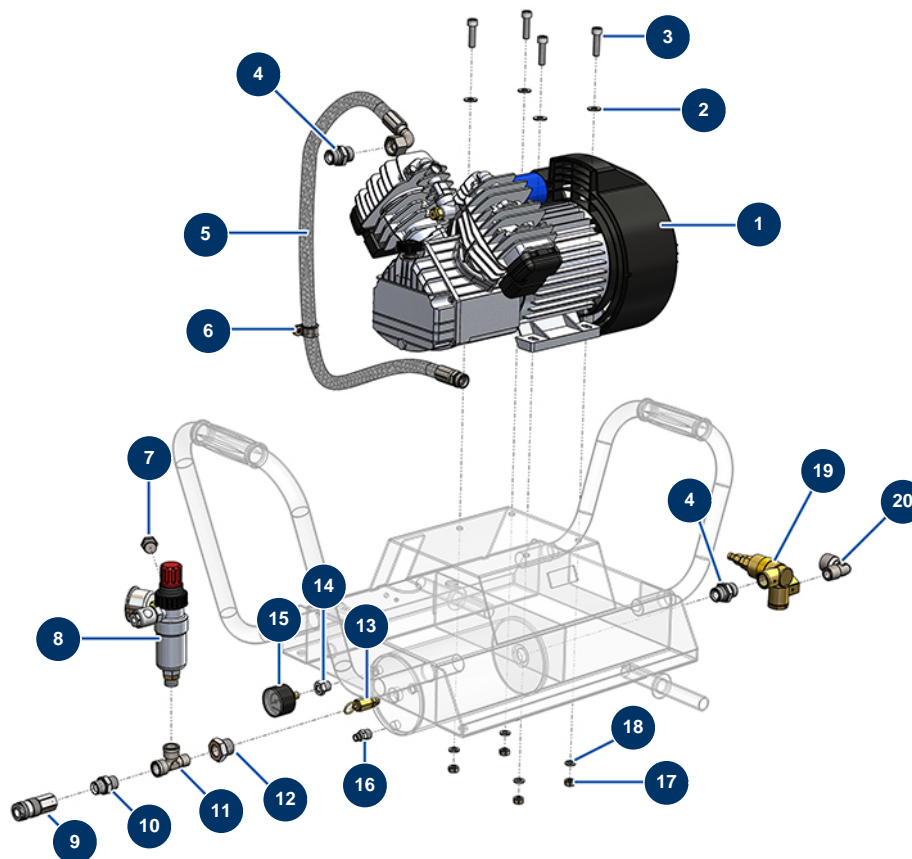
KOSNER MX18 compressor - Chassis



Détails des pièces

Pos.	Référence	Désignation
1	C23425	1
2	90255	Arm handle for EUROPRO 24P, E50 and E100
2	K100047	
3	14102	ø 12 inox medium washer
4	K000211	
5	70072	ø 4 x 10 waterproof POP rivet
6	K008157	
7	90282	Ø25 chromed clip
8	C23417	8
9	K008348	
10	K008347	
11	30071	Nut M 12

KOSNER MX18 compressor - Air circuit

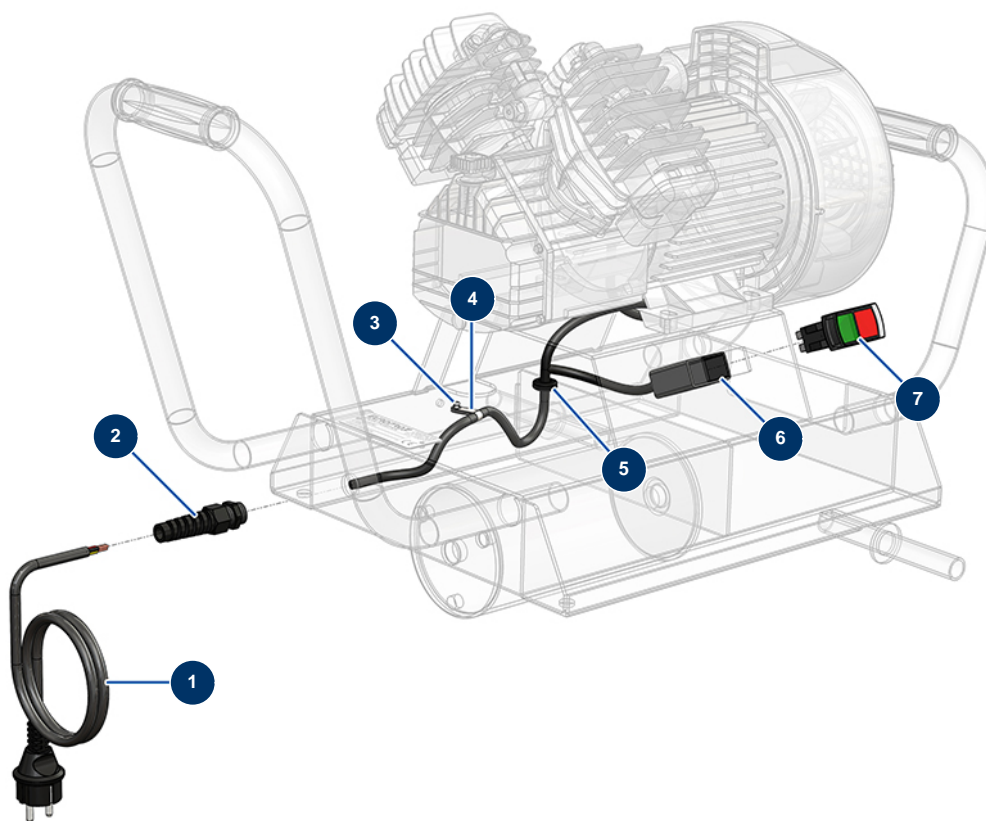


Détails des pièces

Pos.	Référence	Désignation
1	30154	Compression head for EUROPRO 30 and 30+
2	80260	ø 8 inox medium washer
3	90536	8 x 30 cylindrical head screw
4	90627	1/2" MaleD x 1/2" MaleD high-pressure nipple
5		5
6	13179	ø 20 cable collar - CP 60
7	90238	3/8" low-pressure male plug
8	K200083	
9	12007	F ball bearing quick-fit attachment 200 bars 3/8 F
10	90698	3/8" MaleD x 3/8" MaleD high-pressure nipple
11	12530	M3/8" x F3/8" x F3/8" low pressure T
12	12895	3/8" FemaleD x 1/2" MaleD high-pressure nipple
13	80097	1/4" certified outer threaded safety valve 11 bar

Pos.	Référence	Désignation
14	20084	1/4" MaleD x 1/8" FemaleD high-pressure reduction
15	80023	Axial manometer 1/8 conical 40 mm 0 to 10 bar
16	30133	1/4" male compressor tank purge
17	14075	M 8 inox nut
18	80269	Grower washer ø 8
19	80076	1/2" autonomous drain valve
20	90483	Elbow BP 90° 1/2 MaleC x 1/2 FemaleD

KOSNER MX18 compressor - Electrical circuit



Détails des pièces

Pos.	Référence	Désignation
1	K008370	
2	90601	11 black spiral cable gland
3	70072	ø 4 x 10 waterproof POP rivet
4	90266	Cable support Ø 7.9
5	K000514	
6	K100318	
7	K008522	