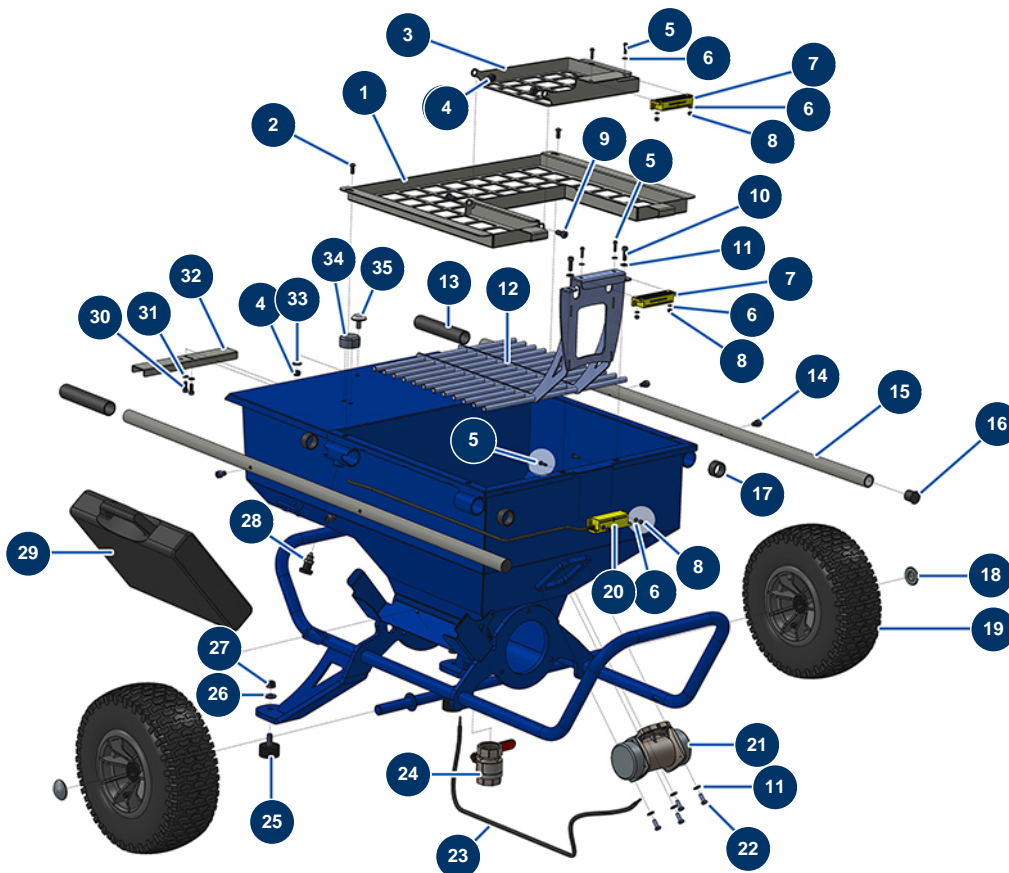


JETMIX 100 wireless + MIXPRO 70 atomizing set - JETMIX 100 chassis

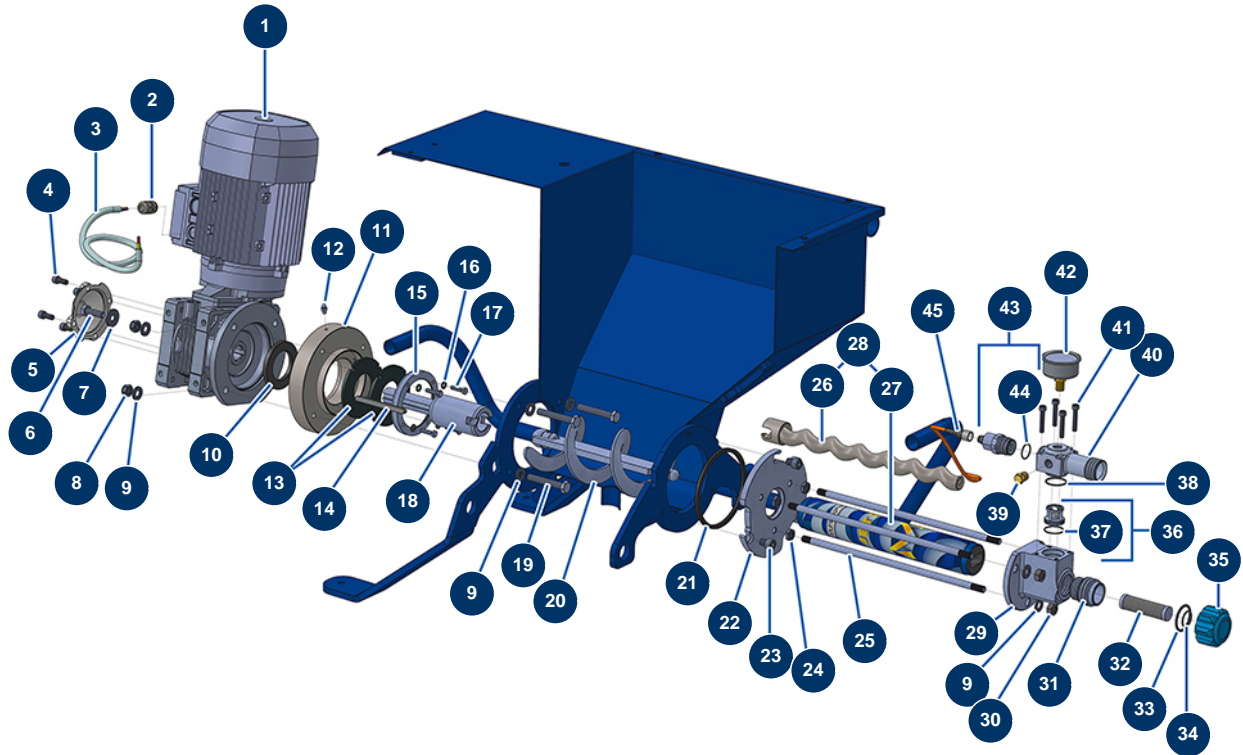


Détails des pièces

Pos.	Référence	Désignation
1	C21371	JETMIX 80 upper safety grid
2	11145	6 x 16 inox cylindrical pan head screw
3	C21373	JETMIX 80 trapdoor upper safety grid
4	13980	M 8 nylstop inox nut
5	90137	4 x 16 cylindrical head screw
6	11736	ø 4 inox medium washer
7	13468	Safety grid captor coded magnet for JETMIX, MIXPRO 14, 70 & 100
8	30266	M 4 nylstop nut
9	12111	8 x 20 inox cylindrical pan head screw
10	90996	6 x 20 inox cylindrical head screw
11	80259	Ø 6 medium washer
12	C21376	12
13	90255	Arm handle for EUROPRO 24P, E50 and E100

Pos.	Référence	Désignation
14	90151	8 x 10 cylindrical head screw
15	C21326	JETMIX 80 / Blowing machine arm
16	90870	Black plastic end cap for ø 25 round tube
17	13453	Cylindrical bearing 26/30 x 16
18	90281	Ø20 chromed clip
19	12319	Complete wheel 320 with axle of 20
20	12120	Grid safety sensor for JETMIX, MIXPRO 14, 70 & 100
21	11997	Single vibrator - 230V
22	12069	THEF 6 x 16 screw
23	30018	H07RNF 4G1.5 electrical cable by the metre
24	30152	Drain valve for EUROPRO 24P and MPE 300
25	30145	Ø 40 x 20 M10 stop
26	80261	ø 10 inox medium washer
27	13981	M 10 nylstop inox nut
28	13454	M12 X 1.5 indexage pin
29	90603	Empty case for lance
30	12112	6 x 12 cylindrical head screw
31	70087	ø 6 inox narrow washer
32	C22727	32
33	80260	ø 8 inox medium washer
34	M10487	JETMIX lateral stop
35	M10456	MIXPRO 70 rotation knob

JETMIX 100 wireless + MIXPRO 70 atomizing set - JETMIX 100 transmission

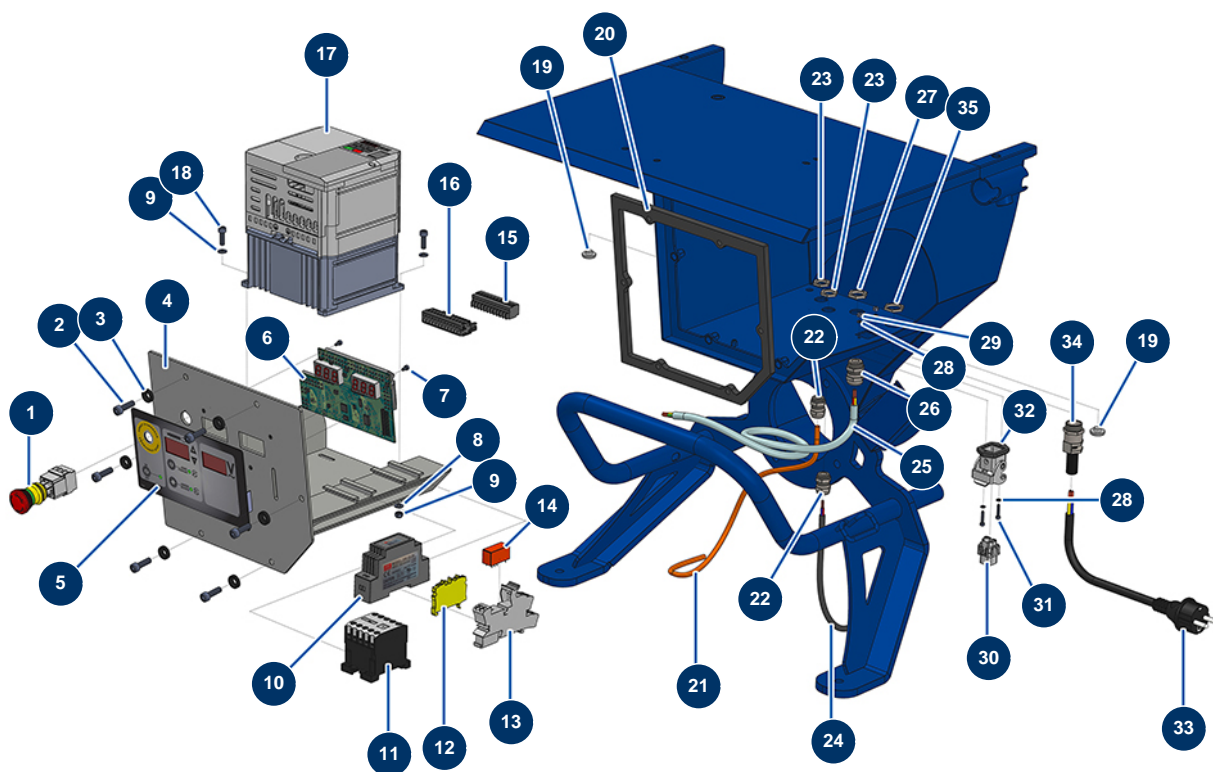


Détails des pièces

Pos.	Référence	Désignation
1	90189	Electric motor 2,2 kW - T90 - B14 - 1400 rpm - 400V
2	30040	Nickel plated watertight cable gland of 11 CEM
3	90606	Shielded cable 4 x 1,5 by the metre
4	80470	8 x 20 cylindrical head screw
5	90287	14 P2 & 24 P gear reducer plastic cover
6	12934	THEF 10 x 35 screw
7	30293	ø 10 inox large washer
8	13981	M 10 nylstop inox nut
9	80261	ø 10 inox medium washer
10	70107	Spi seal 50 x 80 x 8 for 24P,24PT, MPE300, COMPACT-PRO 30
11	M10468	BONFI motor spacer flange for JETPRO, JETMIX 80 & 100
12	60012	M6 straight lubricator
13	12507	Bottom of tank seal for JETPRO 80

Pos.	Référence	Désignation
14	90750	8 x 7 x 100 parallel key with round end for 24P et PT
15	M10222	Flange seal for JETPRO 80 & 120
16	70087	∅ 6 inox narrow washer
17	80561	THEF 6 x 25 screw
18	M10221	Drive shaft for JETPRO 80
19	12163	THEF 10 x 70 inox screw
20	C20561	JETPRO 80 connecting rod
21	12506	4-lobes seal for JETPRO 80 flange
22	M10224	JETPRO 80 flange
23	14121	10 x 12 inox cylindrical head screw
24	13979	M10 flat inox nut
25	M10226	Fastening tie rod for JETPRO 80
26	MI7009107700	EUROPRO JET 2 chromed pump rotor with bayonet head
27	MI3F00529100	EUROPRO JET 2-80SH pump stator
28	30791	EUROPRO JET 2 pump rotor/stator kit
29	M10727	Stator flange for MINIJET/JETPRO without stainless steel insert
30	13978	M10 inox nut
31	M10782	MINIJET/JEPTR0 stator flange insert
32	30667	15 meshes filter for JETPRO spray-gun
33	14863	35 x 3 O-ring
34	14765	22 x 2 O-ring
35	M10781	BLUE filter plug for stainless steel insert
36	14789	Complete ball cage for MINIJET/JETPRO new generation
37	14607	27 x 1,5 O-ring
38	14764	28 x 2 O-ring
39	90842	1/4" high-pressure MaleC plug
40	Nous consulter	40
41	Nous consulter	41
42	12623	50 mm axial manometer 1/4" conical - 0 to 160 bar
43	Nous consulter	43
44	Nous consulter	44
45	12409	M12 straight female connector with 2m cable

JETMIX 100 wireless + MIXPRO 70 atomizing set - JETMIX 100 electrical box

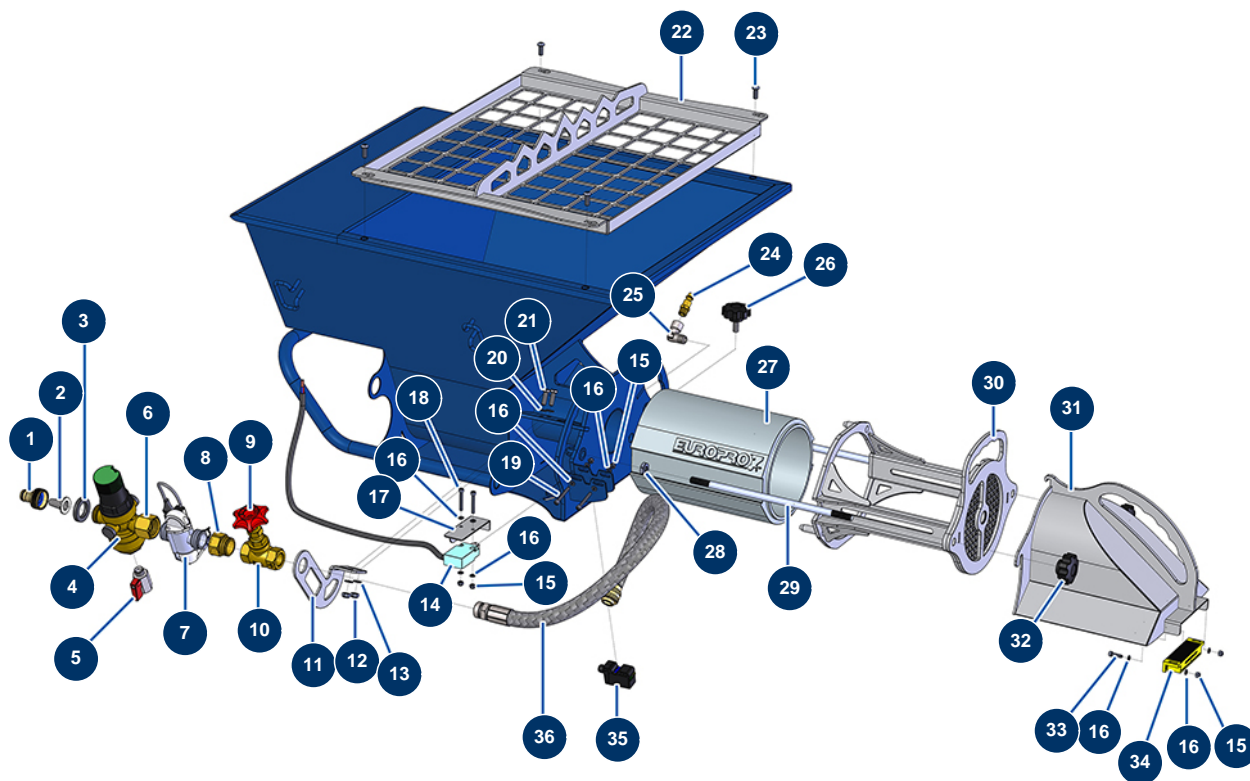


Détails des pièces

Pos.	Référence	Désignation
1	13015	Hanging EMERGENCY STOP button Ø16
2	90996	6 x 20 inox cylindrical head screw
3	80573	Hollow washer Ø 6
4	C21253	4
5	14734	Membrane front panel for JETPRO Evo2
6	30628	Electronic board for JETMIX 100
7	13329	3 x 6 cylindrical head screw
8	70085	ø 5 narrow washer
9	11880	M 5 nylstop nut
10	12711	Supply 230V-24VDC-15W
11	11918	Coil contactor 24 Volt AC
12	30038	Yellow and green conductive block 6 mm²
13	12751	Plug-in miniature relay base

Pos.	Référence	Désignation
14	12752	Plug-in miniature relay 24V AC - 1RT
15	11772	12 pins female connector
16	11771	12 pins male connector
17	13089	Inverter 230 V - 2.2 KW GA
18	90160	5 x 16 cylindrical head screw
19	80397	Water exhaust cork for electrical box
20	13412	JETMIX machine box gasket
21	12409	M12 straight female connector with 2m cable
22	80445	Watertight cable gland of M16
23	11327	Cable gland locknut of M16
24	30018	H07RNF 4G1.5 electrical cable by the metre
25	90606	Shielded cable 4 x 1,5 by the metre
26	30040	Nickel plated watertight cable gland of 11 CEM
27	30333	Cable gland locknut of 11 CEM
28	12108	∅ 3 inox narrow washer
29	12737	M 3 nylstop nut
30	11914	Female insert 4p + G
31	12250	3 x 16 cylindrical head screw
32	11915	Blowing machine insulating support 3 p + T - 1 lever
33	90214	Power cable with molded plug 3G 2,5 mm ²
34	80451	Brass cable gland of 13 for power cable
35	30054	Cable gland locknut of 13

JETMIX 100 wireless + MIXPRO 70 atomizing set - MIXPRO 70 chassis

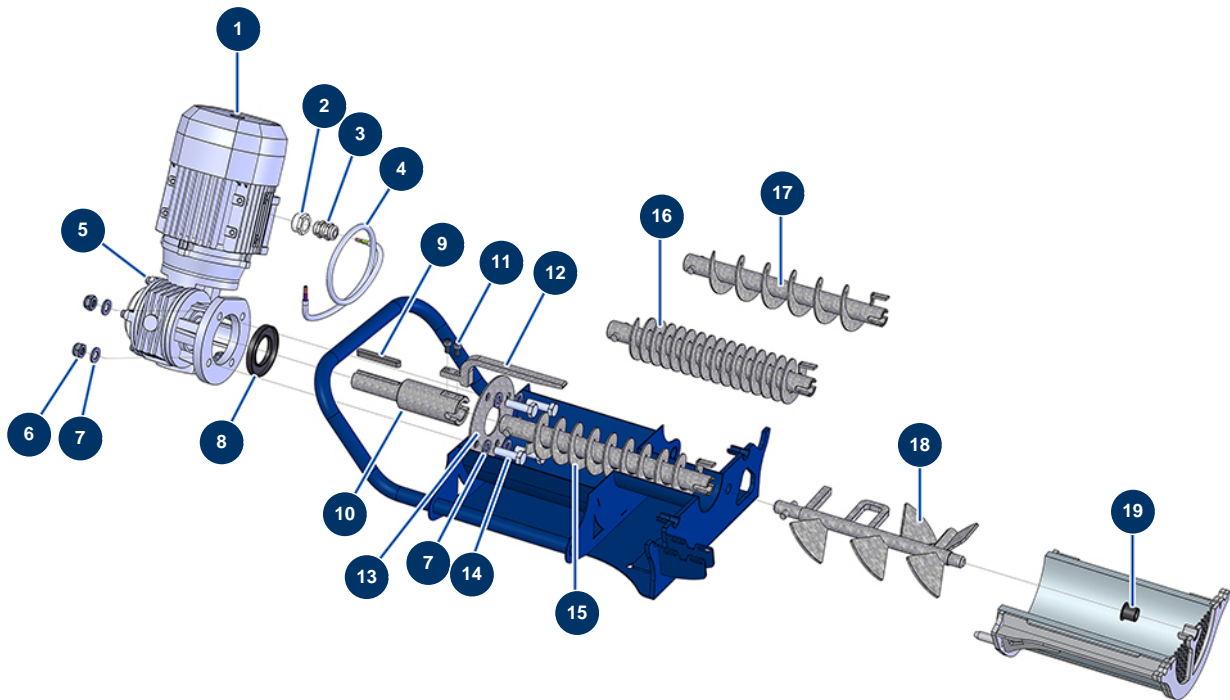


Détails des pièces

Pos.	Référence	Désignation
1	80124	Inner threaded 3/4" quick connector
2	80128	Filter for 3/4" brass quick connector
3	70013	3/4" cam coupler gasket
4	13502	1,5 to 6 bar water pressure regulator with purge
5	30135	1/4" mini lux valve
6	11311	3/4" FemaleD x 3/4" FemaleD low-pressure nipple
7	14082	Flowmeter electrovalve with 5-pin connector
8	12562	3/4" MaleD x 3/4" FemaleD low-pressure nipple
9	M10231	Wheel for needle valve MIXPRO 14
10	12470	Needle valve 1/2"F x 1/2"F MIXPRO 14
11	C21196	11
12	14217	M 6 nylstop inox nut
13	70085	ø 5 narrow washer

Pos.	Référence	Désignation
14	13431	Limit safety sensor for MIXPRO 70
15	30266	M 4 nylstop nut
16	30267	∅ 4 inox narrow washer
17	C21227	
18	11882	4 x 30 cylindrical head screw
19	12455	19
20	70087	∅ 6 inox narrow washer
21	14539	THEF 6 x 20 screw
22	C21226	Safety grid for MIXPRO 70
23	11145	6 x 16 inox cylindrical pan head screw
24	70043	1/4" outer threaded male quick-connector
25	30121	90° low-pressure elbow 1/4 MaleC x 1/4 FemaleD
26	11514	Plastic thumb wheel M8 x 20
27	13559	P.U. mixing chamber for MIXPRO 70
28	13979	M10 flat inox nut
29	M10454	Fastening tie rod for MIXPRO 70
30	C21465	Support for MIXPRO 70 P.U. mixing chamber
31	C21454	Gutter for MIXPRO 70 P.U. chamber
32	13432	M10 plastic thumb wheel
33	90137	4 x 16 cylindrical head screw
34	13468	Safety grid captor coded magnet for JETMIX, MIXPRO 14, 70 & 100
35	13386	Tank level detector for MIXPRO 70
36	13478	MIXPRO 70 mixing chamber flow meter supply hose

JETMIX 100 wireless + MIXPRO 70 atomizing set - MIXPRO 70 transmission

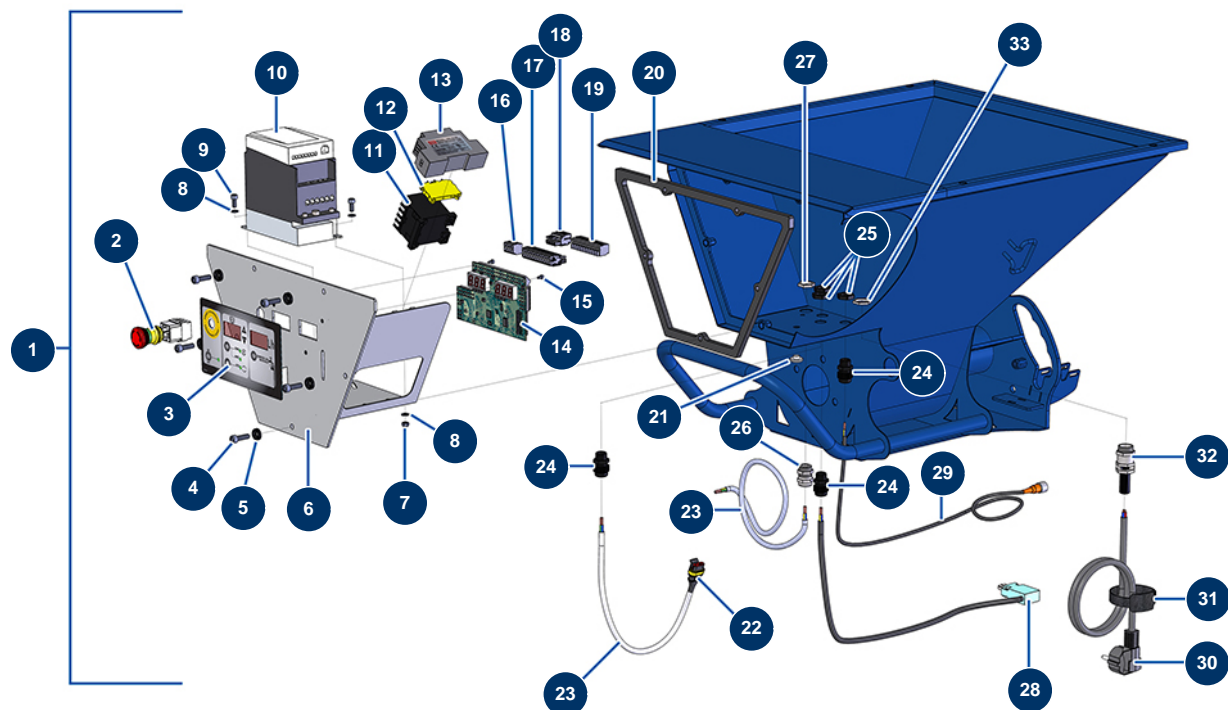


Détails des pièces

Pos.	Référence	Désignation
1	13387	Electric motor 0,75 kW - T71 - B14 - 1400 rpm - 400V
2	80446	Cable gland reduction M 25-11
3	30040	Nickel plated watertight cable gland of 11 CEM
4	30018	H07RNF 4G1.5 electrical cable by the metre
5	12625	6 x 8 cylindrical head screw
6	13981	M 10 nylstop inox nut
7	30280	ø 10 inox narrow washer
8	13457	Spi seal 40 x 70 x 8
9	90749	8 x 7 x 65 parallel key with round end for 6P,8P,14P,7000z,9000z
10	M10455	Drive shaft for MIXPRO 70
11	12112	6 x 12 cylindrical head screw
12	C21259	Tank scraper for MIXPRO 70
13	C21330	Tank reinforcement ring for MIXPRO 70

Pos.	Référence	Désignation
14	12934	THEF 10 x 35 screw
15	C21269	Secondary mixing shaft (pitch of 25) for MIXPRO 70
16	C21398	Secondary mixing shaft (pitch of 15) for MIXPRO 70
17	C21449	Secondary mixing shaft (pitch of 40) for MIXPRO 70
18	C21451	Mixing shaft for MIXPRO 70 composite chamber
19	13410	Bearing with flange 15/17 x 17

JETMIX 100 wireless + MIXPRO 70 atomizing set - MIXPRO 70 electrical box

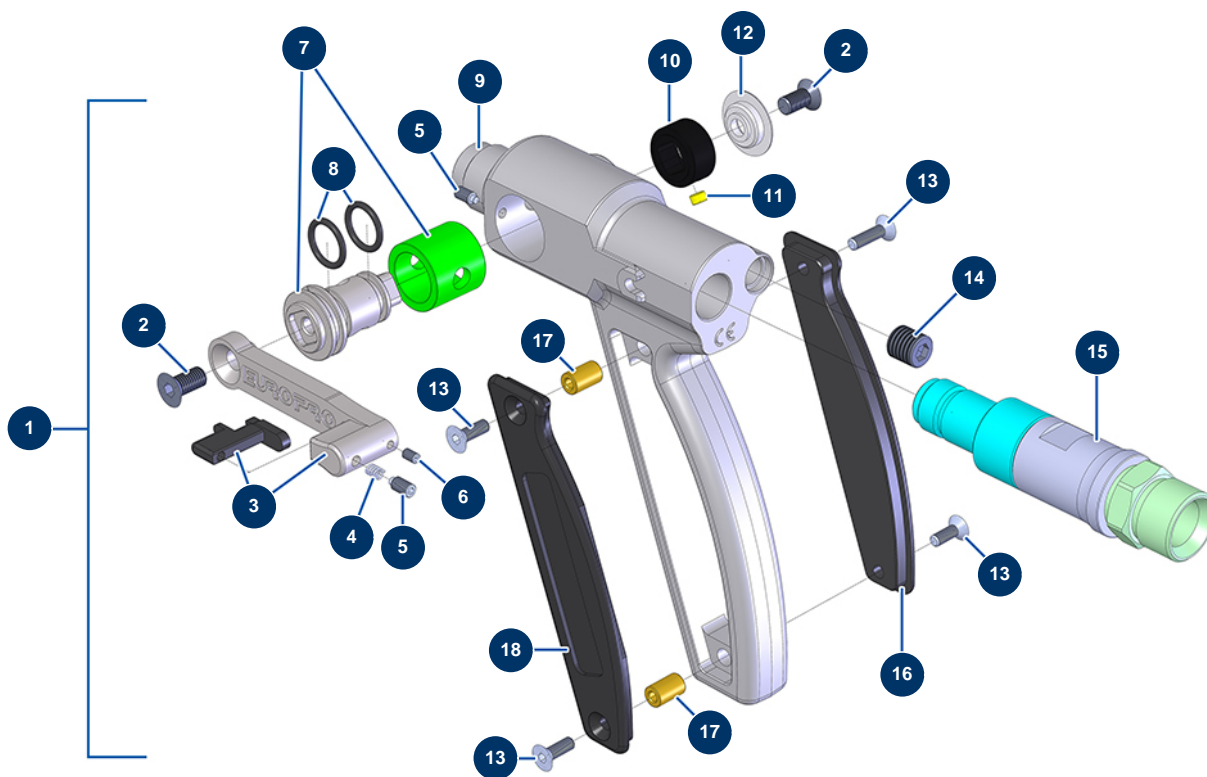


Détails des pièces

Pos.	Référence	Désignation
1	13430	Complete membrane electrical box for MIXPRO 70
2	13015	Hanging EMERGENCY STOP button Ø16
3	13517	MIXPRO 70 front with membrane
4	90996	6 x 20 inox cylindrical head screw
5	80573	Hollow washer Ø 6
6	C21225	6
7	11880	M 5 nylstop nut
8	70085	ø 5 narrow washer
9	90160	5 x 16 cylindrical head screw
10	12098	Inverter 230 V - 0,55 KW
11	11918	Coil contactor 24 Volt AC
12	30038	Yellow and green conductive block 6 mm²
13	12711	Supply 230V-24VDC-15W

Pos.	Référence	Désignation
14	30653	MIXPRO 70 mixer electronic card
15	13329	3 x 6 cylindrical head screw
16	12755	4-pin female connector
17	11771	12 pins male connector
18	12754	4-pin male connector
19	11772	12 pins female connector
20	13396	EUROPRO MIXPRO 70 electrical box gasket
21	80397	Water exhaust cork for electrical box
22	13434	3-way connector male spade
23	30018	H07RNF 4G1.5 electrical cable by the metre
24	1002837	PG 09 watertight cable gland
25	1002838	PG 9 cable gland nut
26	30040	Nickel plated watertight cable gland of 11 CEM
27	30333	Cable gland locknut of 11 CEM
28	13431	Limit safety sensor for MIXPRO 70
29	12409	M12 straight female connector with 2m cable
30	90180	Supply cable with moulded plug 3G 1,5 mm ²
31	12410	Self-gripping collar with loop 12,7 x 228 mm
32	80450	cable gland for 11mm supply cable
33	30060	11mm cable gland nut

JETMIX 100 wireless + MIXPRO 70 atomizing set - Spray-gun



Détails des pièces

Pos.	Référence	Désignation
1	14797	New generation MINIJET/JETPRO spray-gun, without nozzle holder & without nozzle
2	12849	6 x 12 countersunk head screw
3	M07029	JETPRO spray-gun complete trigger
4	13589	Trigger spring for JETPRO spray-gun
5	13598	Countersunk head screw M4 x 8 inox
6	12708	3 x 5 stainless steel socket head screw with flat tip
7	14222	Complete flue block/jacket for JETPRO spray-gun
8	11303	12 x 2 o-ring
9	M10290	JETPRO spray-gun body
10	M10240	JETPRO spray-gun detection stop
11	13031	Wireless remote control starting magnet Ø 5 x 3
12	M10303	JETPRO spray-gun supported washer
13	13	13

Pos.	Référence	Désignation
13	13912	4 x 16 countersunk head screw
14	14793	M10 x 100 threaded plug (fine pitch)
15	M07056	Turning connector for JETPRO spray-gun
16	M10239	JETPRO spray-gun handle right cover
17	M10242	Axle for JETPRO spray-gun handle cover
18	M10238	JETPRO spray-gun handle left cover