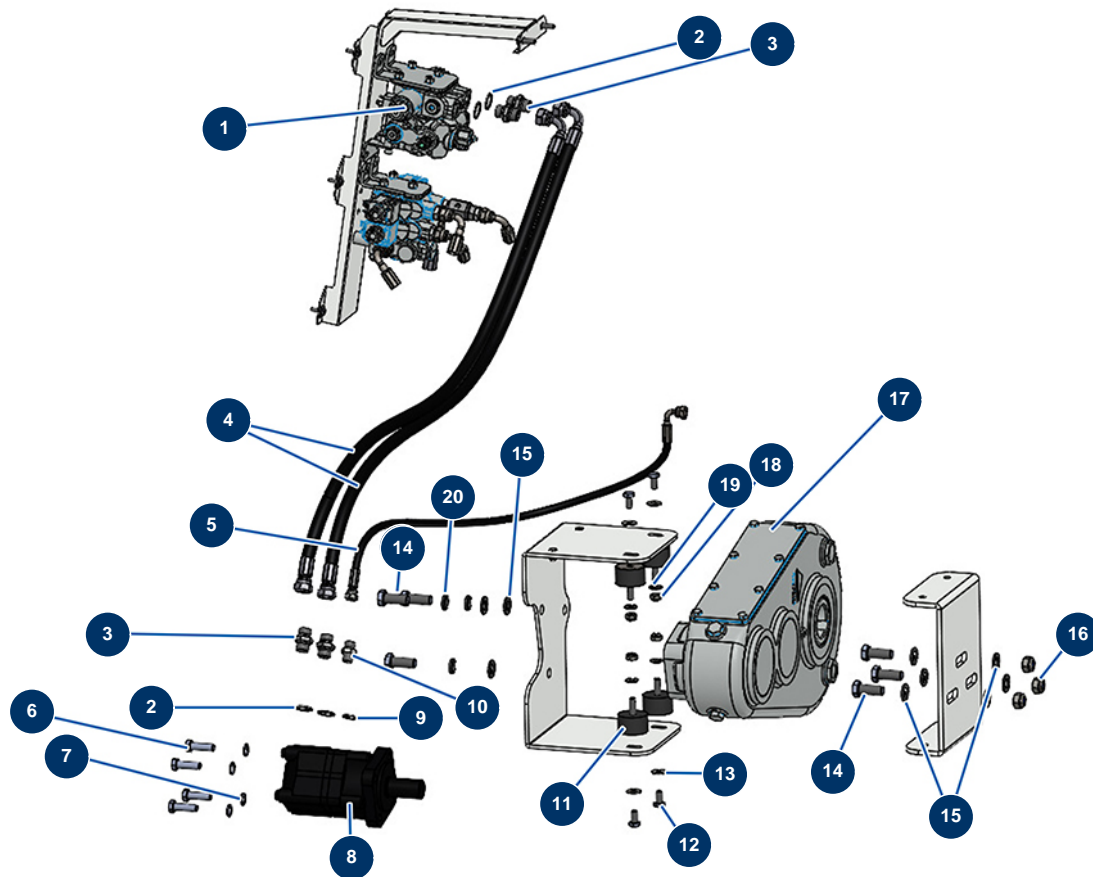


## X-SCREED D60 dry screed machine - stage V 42kW - Hydraulic gearbox



### Détails des pièces

Pos.	Référence	Désignation
1	20383	
2	91032	Steel gasket for hollow screw with 1/2" lip
3	90627	1/2" MaleD x 1/2" MaleD high-pressure nipple
4	20587	4
5	20676	5
6	20640	6
7	12462	Grower washer ø 12
8	20132	OMS 125 hydraulic motor
9	91016	Steel gasket for hollow screw with 1/4 lip
10	90704	1/4" MaleD x 3/8" MaleD high-pressure nipple
11	20535	
12	12466	8 x 75 cylindrical head screw
13	30292	ø 8 inox large washer

Pos.	Référence	Désignation
14	20685	THEF 16 x 40 screw
15	30288	∅ 16 inox narrow washer
16	90491	M 16 nylstop nut
17	20133	17
18	90127	M 8 nylstop nut
19	30280	∅ 10 inox narrow washer
20	20374	127 ∅ 16 grower washer