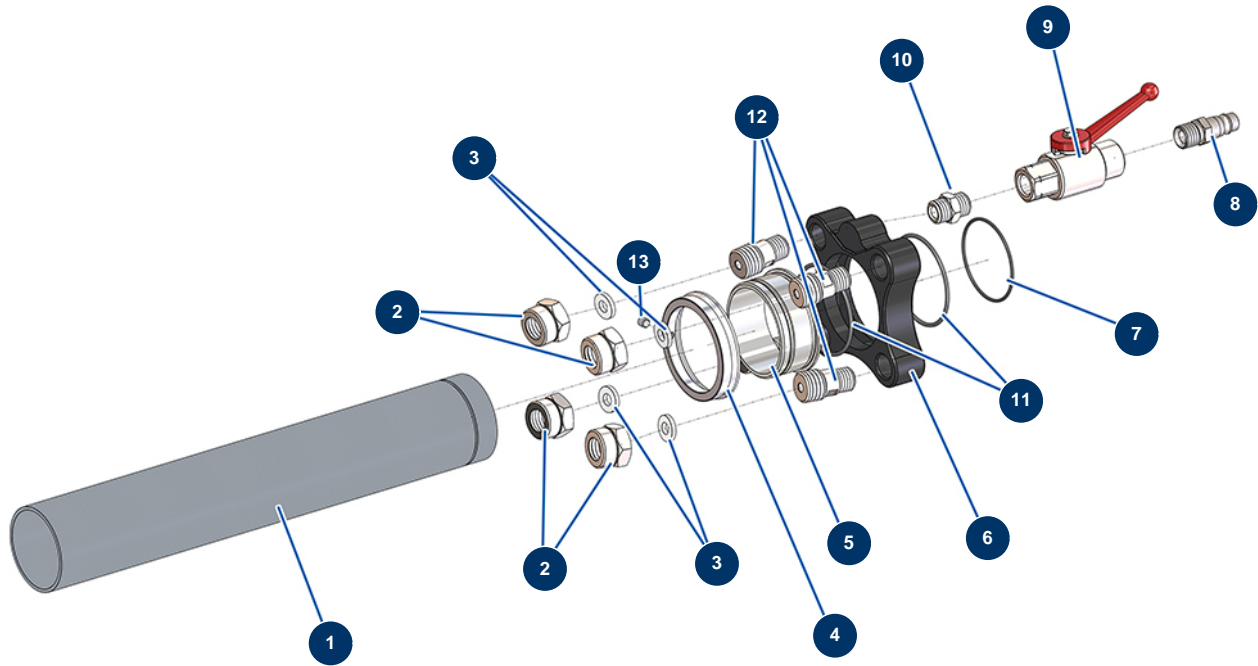


## Blowing machine 4-head flocking lance without nozzles - Lance



### Détails des pièces

Pos.	Référence	Désignation
1		1
2	12047	Flocking lance nozzle tightening ring
3	12048	Flocking lance nozzle gasket
4	M10056	4
5	M10057	5
6	M10618	6
7	14652	46 x 1,5 O-ring
8	12006	
9	11933	
10	90844	1/4" MaleD x 1/4" MaleD low-pressure nipple
11	12005	50 X 2 O-ring VMQ60
12	M10058	1/4" MaleC x 11/16 MaleD high-pressure nipple
13	11402	5 x 5 stainless steel socket head screw with flat tip