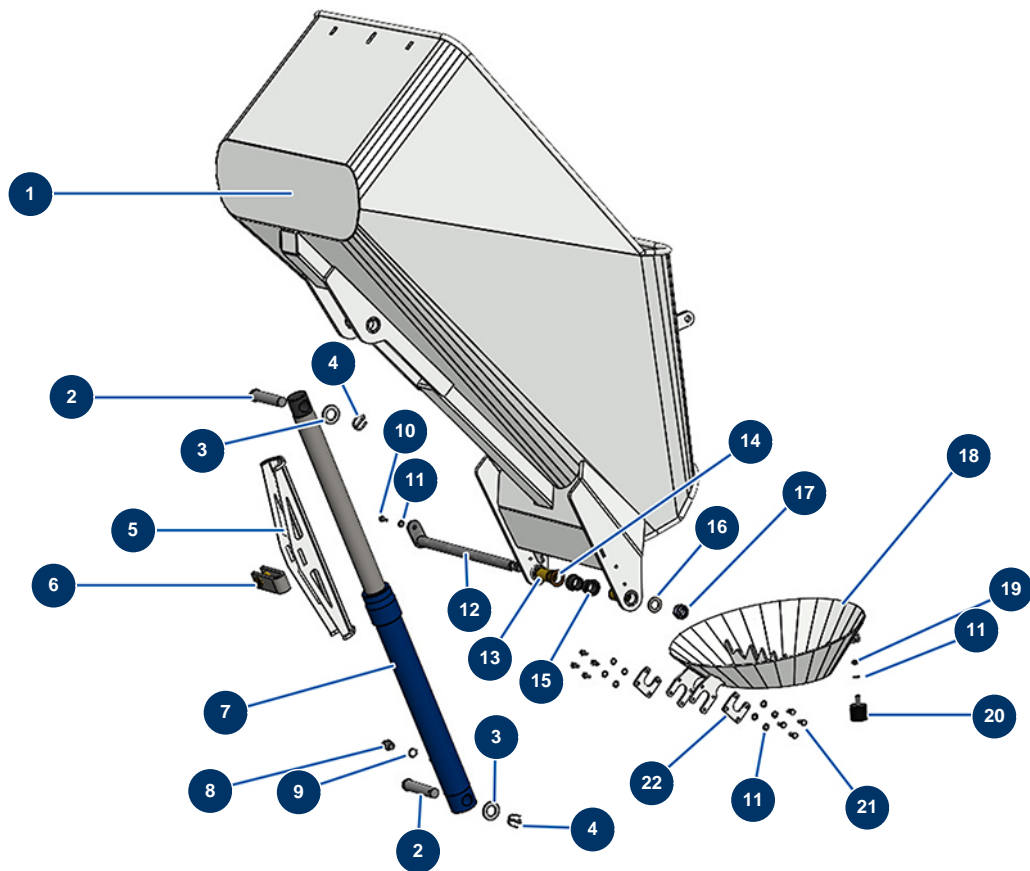


X-SCREED D60 dry screed machine - stage V 42kW - Hopper



Détails des pièces

Pos.	Référence	Désignation
1	C23183CST	
2	20321	
3	10142	ø 25 inox narrow washer
4	20436	
5	C23252CST	
6	20599	
7	20274	
8	80276	3/8" MaleD x 3/8" MaleC high-pressure nipple
9	91031	Steel gasket for hollow screw with 3/8 lip
10	30273	THEF 8 x 20 screw
11	30256	ø 8 inox narrow washer
12	20320	
13	20322	

Pos.	Référence	Désignation
14	20324	X-SCREED hopper articulated shaft bronze washer
15	20339	
16	10141	∅ 20 inox narrow washer
17	20364	
18	C23184	
19	90127	M 8 nylstop nut
20	90767	∅ 40 x 35 M10 stop
21	30295	THEF 8 x 16 screw
22	C23185CST	