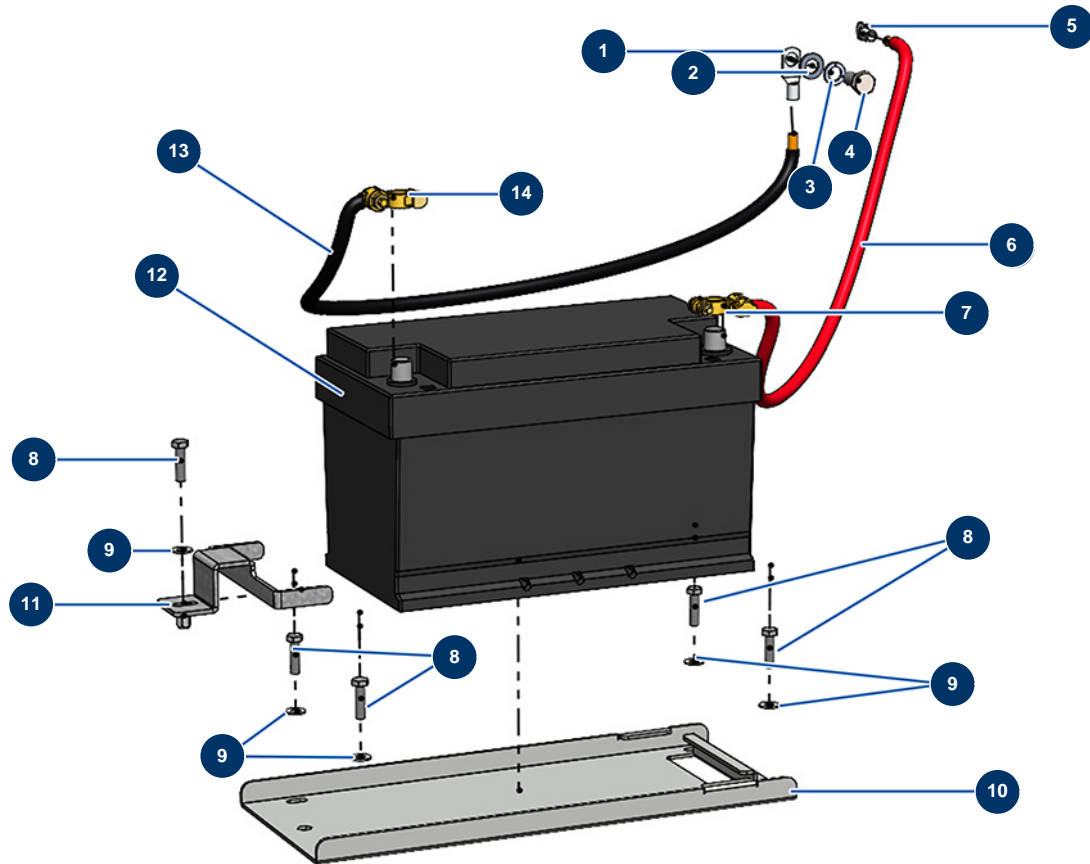


X-SCREED D60 dry screed machine - stage V 42kW - Battery



Détails des pièces

Pos.	Référence	Désignation
1	20250	Solder lug on 35 mm ² wire with ø 12 hole
2	30281	ø 12 inox narrow washer
3	12462	Grower washer ø 12
4	12251	THEF 12 x 25 screw
5	20249	Solder lug on 35 mm ² wire with ø 8 hole
6	20233	35 mm ² red battery cable by the metre
7	14572	Self-clamping battery terminal + red
8	11544	THEF 8 x 25 screw
9	30292	ø 8 inox large washer
10	C23165	10
11	C23248	11
12	20257	110 Ah (+D) battery
13	20234	35 mm ² black battery cable by the metre

Pos.	Référence	Désignation
14	14573	Self-clamping battery terminal - blue