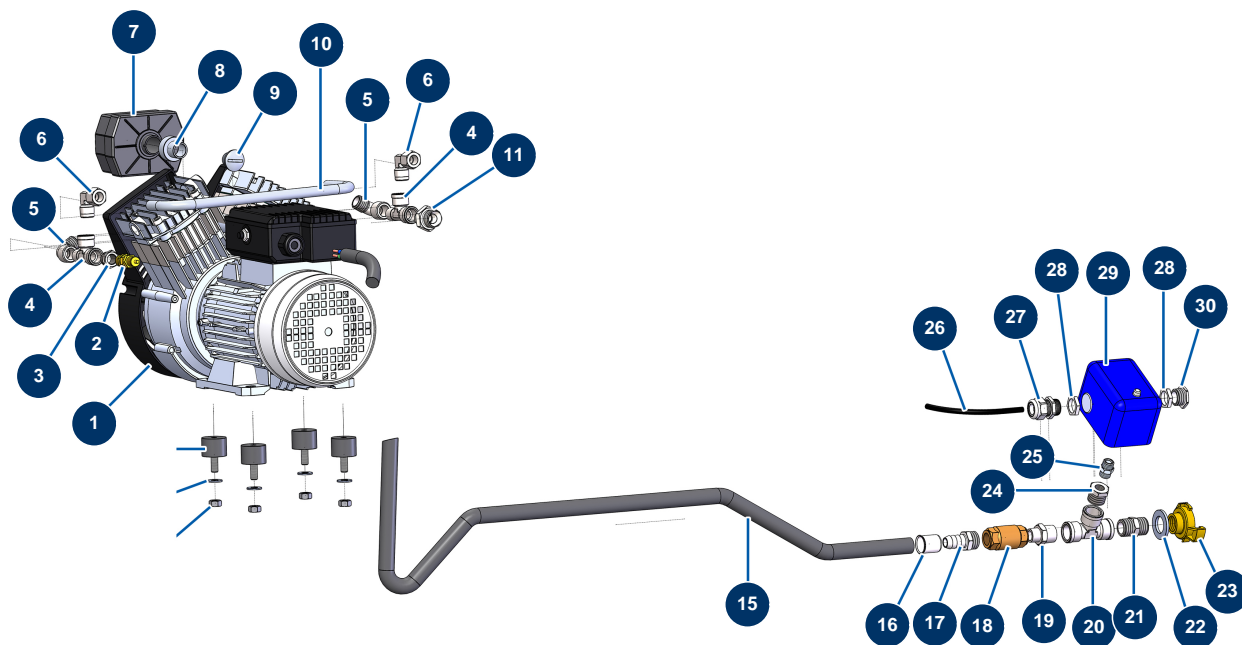


## COMPACT PRO 55 TRI + MIXPRO 130 spraying set - 400V TETRA - Compressor kit



### Détails des pièces

Pos.	Référence	Désignation
1	14143	Oilless twin-cylinder compression head - 400V/50Hz three-phased
2	MI3G01300304	Safety Valve 1/4 3 bar
3	90242	3/8" MaleC x 1/4" FemaleD low-pressure reduction
4	12530	M3/8" x F3/8" x F3/8" low pressure T
5	30120	Elbow BP 90° 3/8 MaleC x 3/8 FemaleD
6	13696	
7	80052	EUROPRO 36 complete air filter
8	M10529	
9	M10528	3/8"G threaded plug
10	C23010	10
11	90872	1/2" MaleD x 3/8" MaleD high-pressure nipple
15	10229	ø 12 galvanised braided hose

Pos.	Référence	Désignation
16	10210	19 MAS sleeve
17	10225	Nipple 3/8" MC grooved Ø 12
18	MI3G01300401	3/8" non-return valve
19	80339	3/8" MaleC x 1/2" MaleC low-pressure nipple
20	12105	F1/2" x F1/2" x F1/2" low pressure T
21	30369	1/2" MaleC x 1/2" MaleC low-pressure nipple
22	10141	Ø 20 inox narrow washer
23	13577	1/2" inner threaded Geka coupling
24	30119	1/2" MaleC x 1/4" FemaleD low-pressure reduction
25	90844	1/4" MaleD x 1/4" MaleD low-pressure nipple
26	11972	H05VV5F 3G0.75 grey electrical cable by the metre
27	11622	Black plastic packing M 20
28	20051	M 20 grey plastic cable gland nut
29	20197	Air pressure switch NC male 1/4
30	80443	IM 20 electric plug