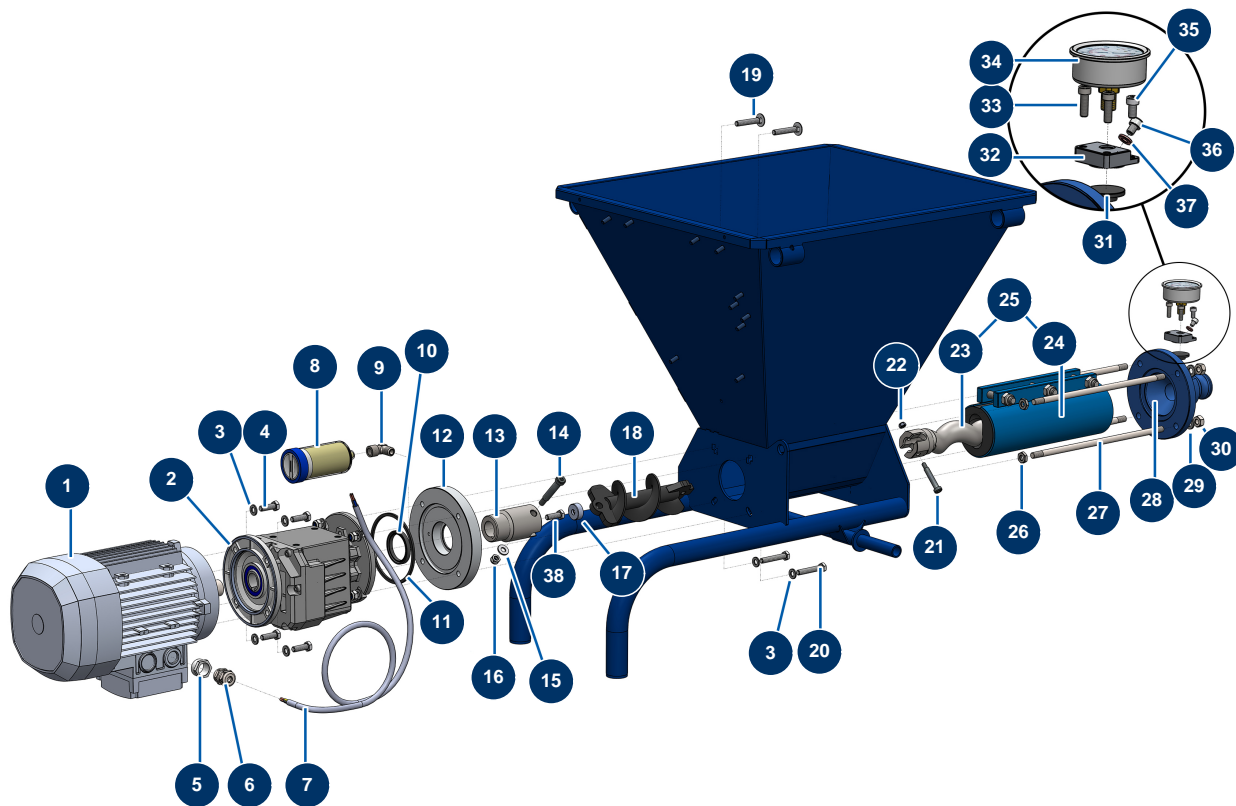


COMPACT-PRO 25 CLASSIC V3 spraying machine - Transmission



Détails des pièces

Pos.	Référence	Désignation
1	30044	Electric motor 1,85 kW - T90 - B14 - 1400 rpm - 400V
2	15155	Coaxial speed reducer - T412A - R18,04 - B14/T90
3	30256	ø 8 inox narrow washer
4	30273	THEF 8 x 20 screw
5	80599	Cable gland reduction M 25-13
6	80448	M 20 waterproof cable gland
7	90606	Shielded cable 4 x 1,5 by the metre
8	90639	Automatic greaser
9	30121	90° low-pressure elbow 1/4 MaleC x 1/4 FemaleD
10	15154	Spi seal 42 x 52 x 7
11	13692	CP25 motor flange seal
12	M10510	CP25 motor flange
13	M10811	Drive shaft for CP 25 CLASSIC V3

Pos.	Référence	Désignation
14	11359	CP 30 transmission shaft screw pin
15	80260	∅ 8 inox medium washer
16	13980	M 8 nylstop inox nut
17	M10103	
18	C23616	
19	13603	Round head square neck stainless steel screw 8 x 50
20	90998	THEF 8 x 50 screw
21	90520	CP 30 rotor screw pin
22	14217	M 6 nylstop inox nut
23	MI7009107300	EUROPRO MAP 5/6 pump rotor CP30-type head
24	MI3F00529400	EUROPRO MAP 6 D8-1,5 adjustable pump stator
25	30446	EUROPRO MAP 6 pump rotor/stator kit
26	13979	M10 flat inox nut
27	60010	Fastening tie rod for MAP 5/6
28	90125	EUROPRO 24 P and COMPACT-PRO 30 stator flange
29	30280	∅ 10 inox narrow washer
30	13978	M10 inox nut
31	MI4920006000	Membrane
32	M10079	MIXPRO 14 cage cover
33	90996	6 x 20 inox cylindrical head screw
34	80070	Axial manometer 1/4" conical oil 50 mm 0 to 60 bar
35	12112	6 x 12 cylindrical head screw
36	12625	6 x 8 cylindrical head screw
37	12765	Copper seal for JETPRO 80 pump nose
38	12448	8 x 16 countersunk head screw