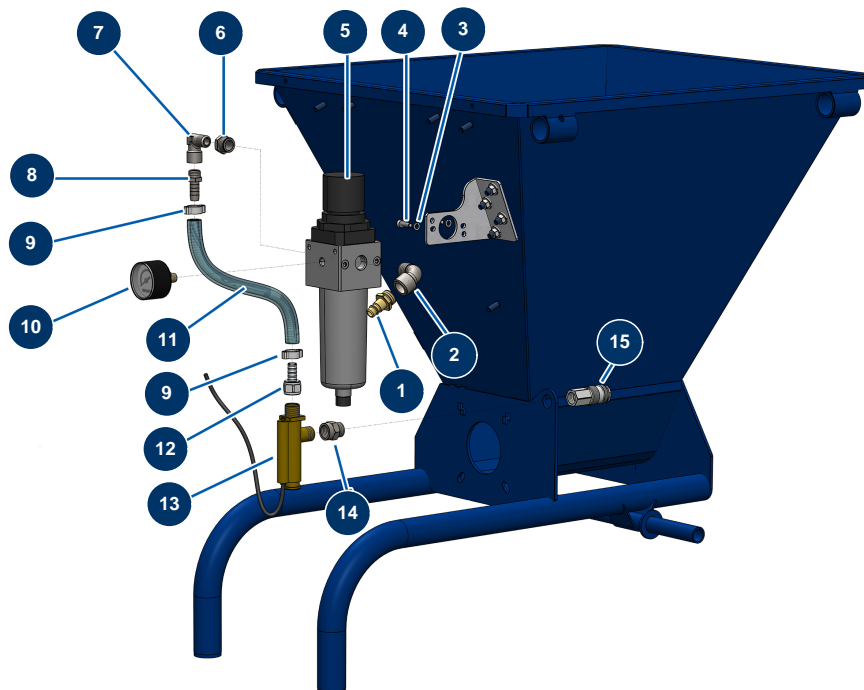


## COMPACT-PRO 25 CLASSIC V3 spraying machine - Air circuit



### Détails des pièces

Pos.	Référence	Désignation
1	70044	3/8" outer threaded male quick fit coupling
2	30120	Elbow BP 90° 3/8 MaleC x 3/8 FemaleD
3	12458	Grower washer ø 5
4	90160	5 x 16 cylindrical head screw
5	90756	Superimposed 3/8" regulator filter
6	90242	3/8" MaleC x 1/4" FemaleD low-pressure reduction
7	30121	90° low-pressure elbow 1/4 MaleC x 1/4 FemaleD
8	80094	1/4" corrugated outer threaded coupling Ø 10
9	80429	Ear clamp 15 x 18
10	80023	Axial manometer 1/8 conical 40 mm 0 to 10 bar
11	50003	Clear braided PVC hose Ø 10 x 16 by the metre
12	70066	Rotating connector 3/8" corrugated Ø 10
13	30005	Flowmeter for EUROPRO 4-6-8-14 and 24 P

Pos.	Référence	Désignation
14	91053	3/8" MaleD x 3/8" FemaleD low-pressure nipple
15	12007	F ball bearing quick-fit attachment 200 bars 3/8 F