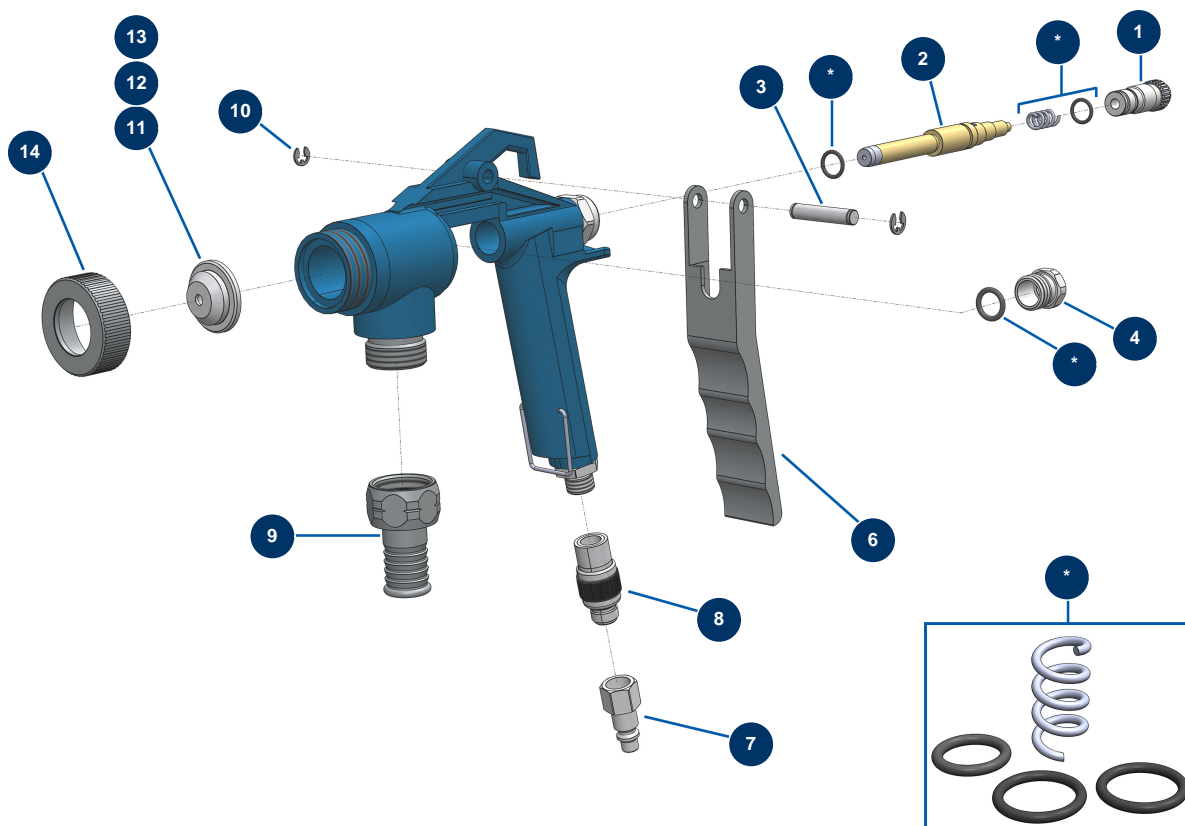


AC-75-P pasty products spray-gun with air shut-off - General view



Détails des pièces

| Pos. | Référence | Désignation |
|------|-----------|---|
| * | | * |
| * | 70291 | AC-50-G & AC-65-G spray-gun gasket kit |
| 1 | 70295 | AC-65 and 70 spray-gun product flow adjustment knob |
| 2 | AC10505 | AC 65-G & AC 75-P spray-gun needle |
| 3 | AC10391 | AC 65, 70 G spray-gun trigger axis |
| 4 | AC10386 | AC 65-G spray-gun cable gland nut |
| 6 | AC10394 | AC 65, 70 G spray-gun trigger |
| 7 | 80091 | Male quick fit coupling inner threaded 1/4" Ø 6 |
| 8 | 20008 | Air adjustment tap 1/4" M x 1/4" F |
| 9 | 70297 | AC-75-P spray-gun product inlet coupling |
| 10 | AC10395 | AC 65, 70 G spray-gun axis circlip |
| 11 | 70130 | AC-65-G N°4 droplets spray-gun nozzle |
| 12 | 70131 | AC-65-G N°6 droplets spray-gun nozzle |

| Pos. | Référence | Désignation |
|------|-----------|---|
| 13 | 70132 | AC-65-G & AC-70-G N°8 droplets or flakes spray-gun nozzle |
| 14 | 70134 | AC-65 G spray-gun nozzle ring |