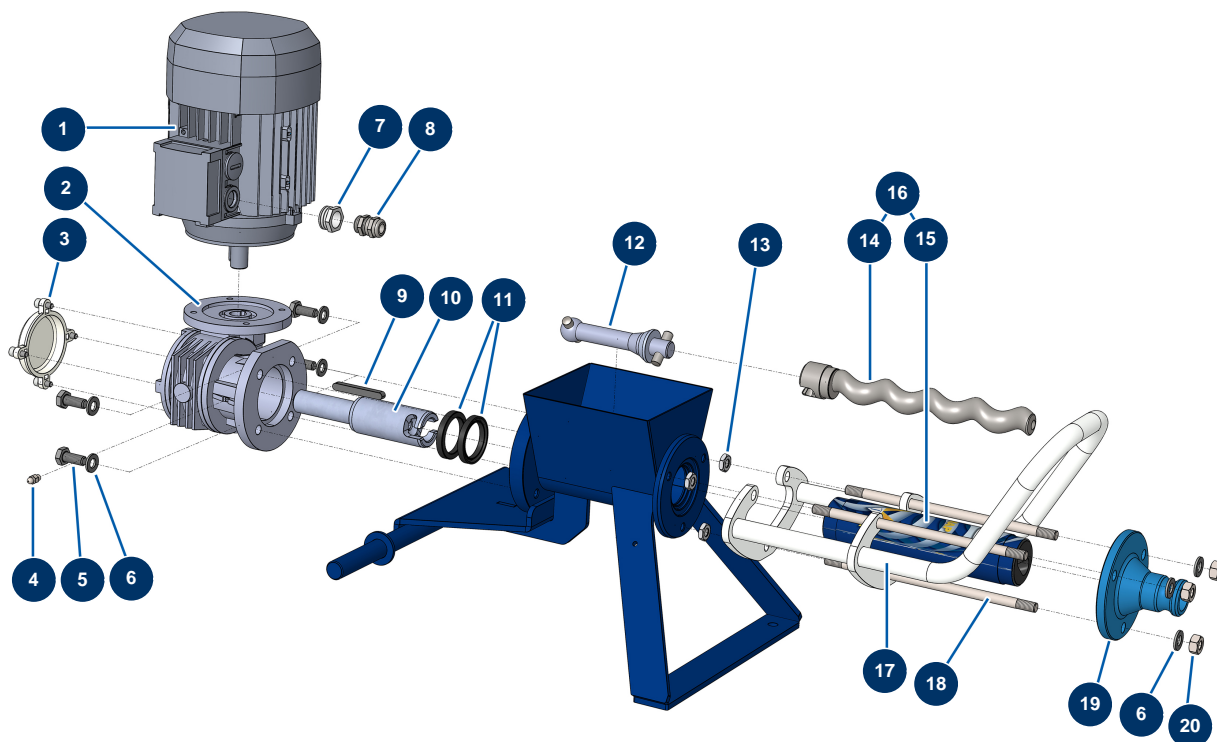


## DROPPRO 8P spraying machine - Transmission (from 01/2022)



### Détails des pièces

| Pos. | Référence | Désignation  |
|------|-----------|--|
| 1    | 30043     | Electric motor 1,1 kW - T80 - B14 - 1400 rpm - 400V              |
| 2    | 14498     | Speed reducer 90° - T50 - R15 - B14/T90                          |
| 3    | 10007     | 6 & 8 P gearing plastic cover                                    |
| 4    | 60012     | M6 straight lubricator   |
| 5    | 30257     | THEF 10 x 25 screw   |
| 6    | 30280     | ø 10 inox narrow washer  |
| 7    | 80446     | Cable gland reduction M 25-11                                    |
| 8    | 30040     | Nickel plated watertight cable gland of 11 CEM                   |
| 9    | 90749     | 8 x 7 x 65 parallel key with round end for 6P,8P,14P,7000z,9000z |
| 10   | M10645    | Bayonet drive shaft for DROPPRO 8P, MINIJET 80                   |
| 11   | 70062     | Spi seal 40 x 52 x 7 for 4,6,8P, AG, MPE, 7000z, 9000z           |
| 12   | M10649    | Connecting rod for DROPPRO 8P, MINIJET 80                        |
| 13   | 10140     | M10 flat nut   |

| <b>Pos.</b> | <b>Référence</b> | <b>Désignation</b>                        |
|-------------|------------------|---|
| 14          | MI7009107100     | EUROPRO MAP 2 pump rotor                  |
| 15          | MI3F00529200     | EUROPRO MAP 2 pump stator                 |
| 16          | 30443            | EUROPRO MAP 2 pump rotor/stator kit       |
| 17          | C22982           | DROPPRO & MINIJET pump handle             |
| 18          | 10034            | Fixation tie rod for MAP 2/3              |
| 19          | 10010            | Blue stator flange for EUROPRO 8P and 14P |
| 20          | 13978            | M10 inox nut                              |