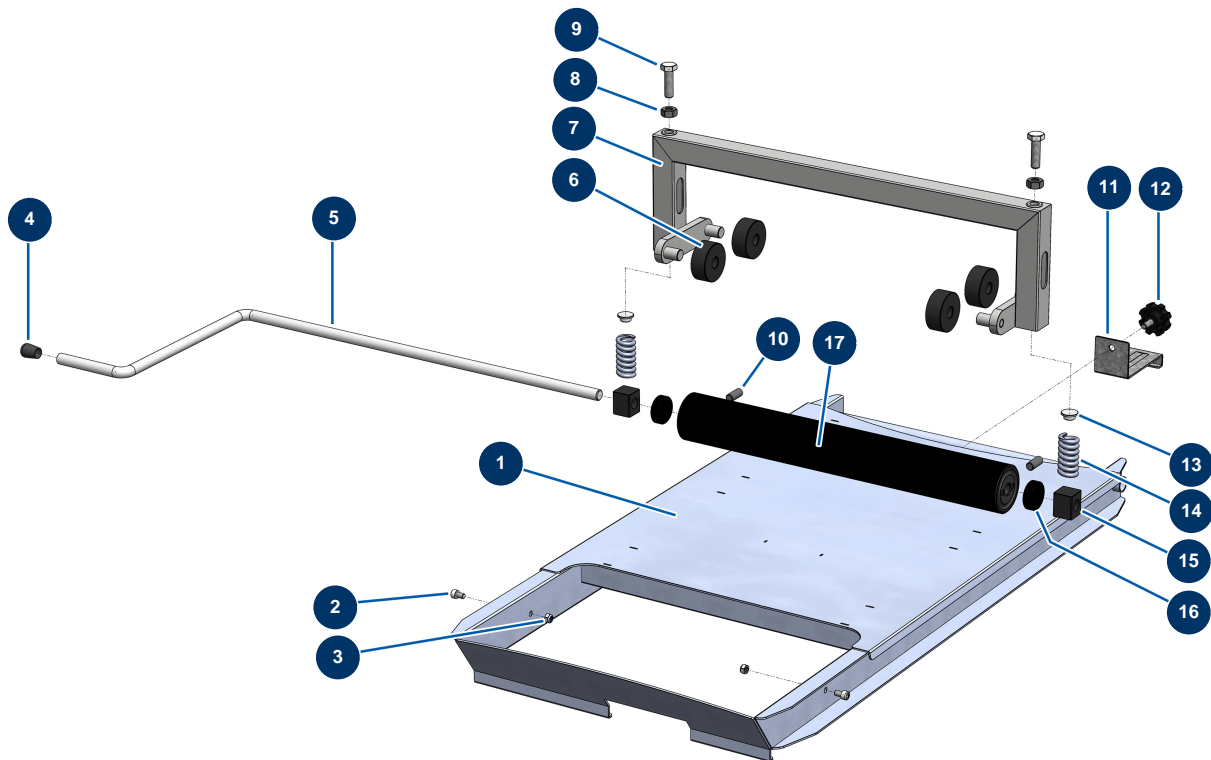


Bag roller for CP15 (new model) & CP 25 - General view



Détails des pièces

| Pos. | Référence | Désignation |
|------|-----------|---|
| 1 | C21597 | 1 |
| 2 | 90798 | M6 x 10 cylindrical head screw - CP 60 cylindrical head screw |
| 3 | 20004 | M 6 nylstop nut |
| 4 | 30327 | Black plastic end cap for ø 14 round tube |
| 5 | M90462 | 14 P bag roller crank |
| 6 | 10056 | Bag roller caster |
| 7 | 90580 | 14P bag roller U-bolt |
| 8 | 90453 | M 10 nut |
| 9 | 12934 | THEF 10 x 35 screw |
| 10 | 80689 | Bag roller drum countersunk head screw |
| 11 | C21609 | |
| 12 | 11514 | Plastic thumb wheel M8 x 20 |
| 13 | 10059 | Bag roller spring pawl |

| Pos. | Référence | Désignation |
|------|-----------|-----------------------------------|
| 14 | 10069 | Bag roller stainless steel spring |
| 15 | 10058 | Bag roller drum bearing |
| 16 | 10053 | Slice for bag roller spacer |
| 17 | 90462 | 14 P, JETPRO 80 bag roller drum |