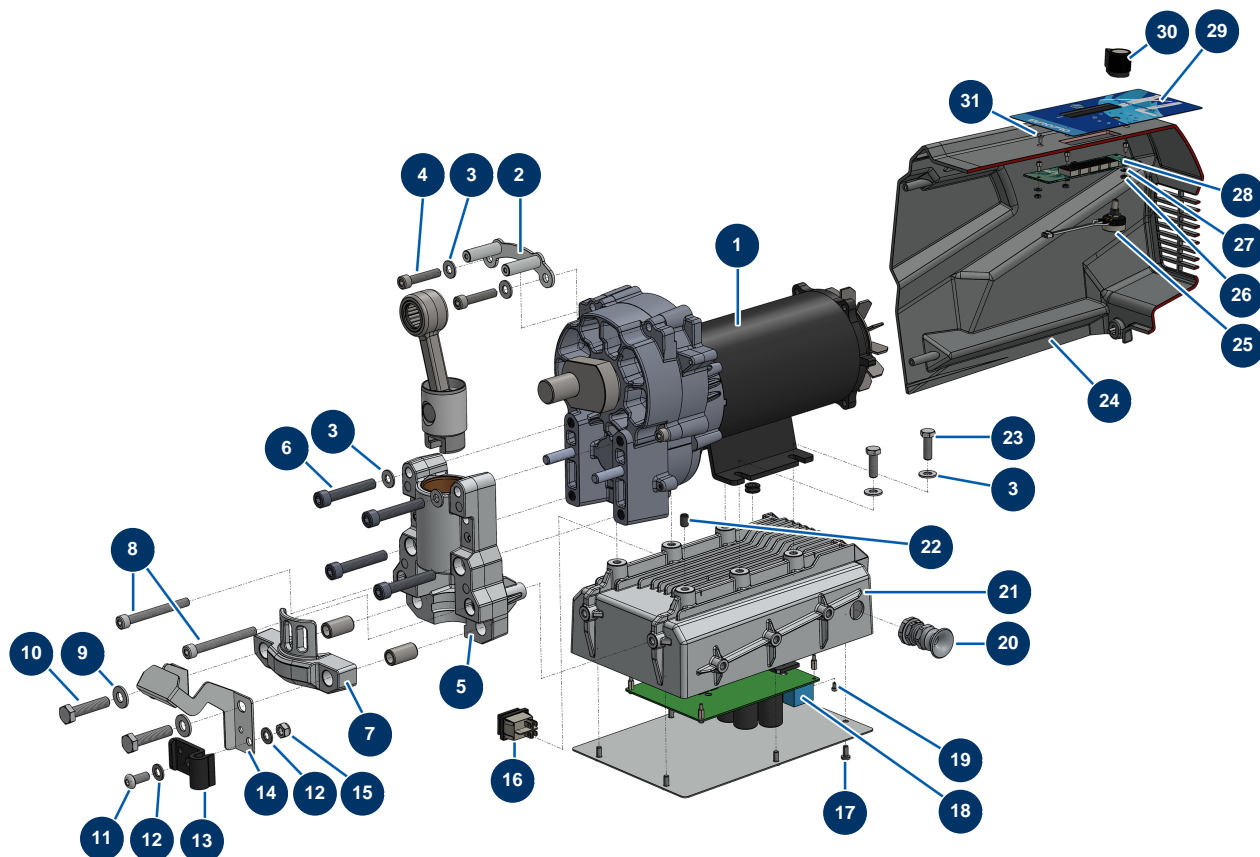


EUROSPRAY XL airless piston pump - Transmission / Electrical box



Détails des pièces

| Pos. | Référence | Désignation |
|------|-----------|--|
| 1 | 51348 | EUROSPRAY XL pump complete motor |
| 2 | C23504 | EUROSPRAY XL front crankcase mounting plate |
| 3 | 80260 | ø 8 inox medium washer |
| 4 | 12246 | 8 x 40 cylindrical head screw |
| 5 | 51302 | EUROSPRAY XL pump support |
| 6 | 13520 | 10 x 60 cylindrical head screw |
| 7 | 51303 | EUROSPRAY XL pump mounting bracket |
| 8 | 12466 | 8 x 75 cylindrical head screw |
| 9 | 80261 | ø 10 inox medium washer |
| 10 | 12441 | THEF 10 x 45 screw |
| 11 | 12111 | 8 x 20 inox cylindrical pan head screw |
| 12 | 30256 | ø 8 inox narrow washer |
| 13 | 51351 | EUROSPRAY XL pump return hose fastening clip |

| Pos. | Référence | Désignation |
|------|-----------|--|
| 14 | 51350 | EUROSPRAY XL pump bucket support |
| 15 | 90127 | M 8 nylstop nut |
| 16 | 51349 | EUROSPRAY XL pump ON/OFF switch |
| 17 | 90161 | 5 x 12 inox cylindrical head screw |
| 18 | 51345 | EUROSPRAY XL pump electronic card |
| 19 | 13329 | 3 x 6 cylindrical head screw |
| 20 | 80451 | Brass cable gland of 13 for power cable |
| 21 | 51301 | EUROSPRAY XL aluminum electrical box |
| 22 | 14151 | 8 x 12 stainless steel socket head screw with flat tip |
| 23 | 11544 | THEF 8 x 25 screw |
| 24 | 51306 | EUROSPRAY XL rear cover |
| 25 | 51352 | EUROSPRAY XL pump potentiometer |
| 26 | 310016 | M 3 nut |
| 27 | 12070 | ø 3 inox medium washer |
| 28 | 51346 | EUROSPRAY XL electronic display board |
| 29 | 51310 | EUROSPRAY XL membrane front panel |
| 30 | 51353 | EUROSPRAY XL pump potentiometer button |
| 31 | 1033003 | 3 x 8 DIN 7991 countersunk head screw |