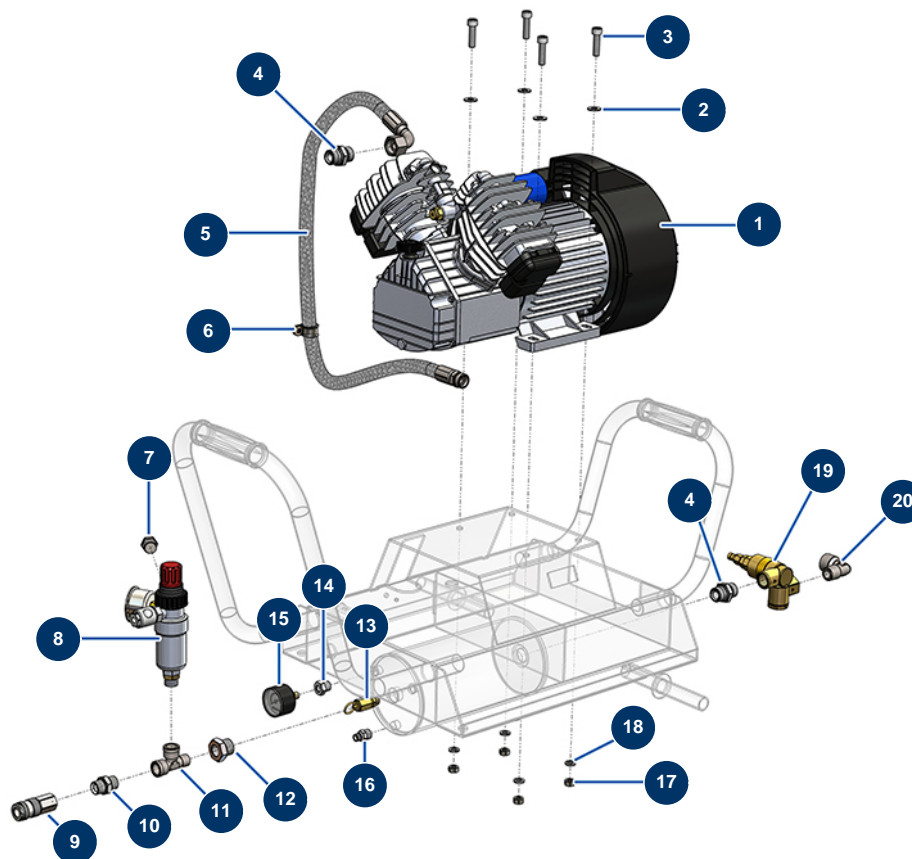


KOSNER MX18 compressor - Air circuit



Détails des pièces

Pos.	Référence	Désignation
1	30154	Compression head for EUROPRO 30 and 30+
2	80260	ø 8 inox medium washer
3	90536	8 x 30 cylindrical head screw
4	90627	1/2" MaleD x 1/2" MaleD high-pressure nipple
5		5
6	13179	ø 20 cable collar - CP 60
7	90238	3/8" low-pressure male plug
8	K200083	
9	12007	F ball bearing quick-fit attachment 200 bars 3/8 F
10	90698	3/8" MaleD x 3/8" MaleD high-pressure nipple
11	12530	M3/8" x F3/8" x F3/8" low pressure T
12	12895	3/8" FemaleD x 1/2" MaleD high-pressure nipple
13	80097	1/4" certified outer threaded safety valve 11 bar

Pos.	Référence	Désignation
14	20084	1/4" MaleD x 1/8" FemaleD high-pressure reduction
15	80023	Axial manometer 1/8 conical 40 mm 0 to 10 bar
16	30133	1/4" male compressor tank purge
17	14075	M 8 inox nut
18	80269	Grower washer ø 8
19	80076	1/2" autonomous drain valve
20	90483	Elbow BP 90° 1/2 MaleC x 1/2 FemaleD