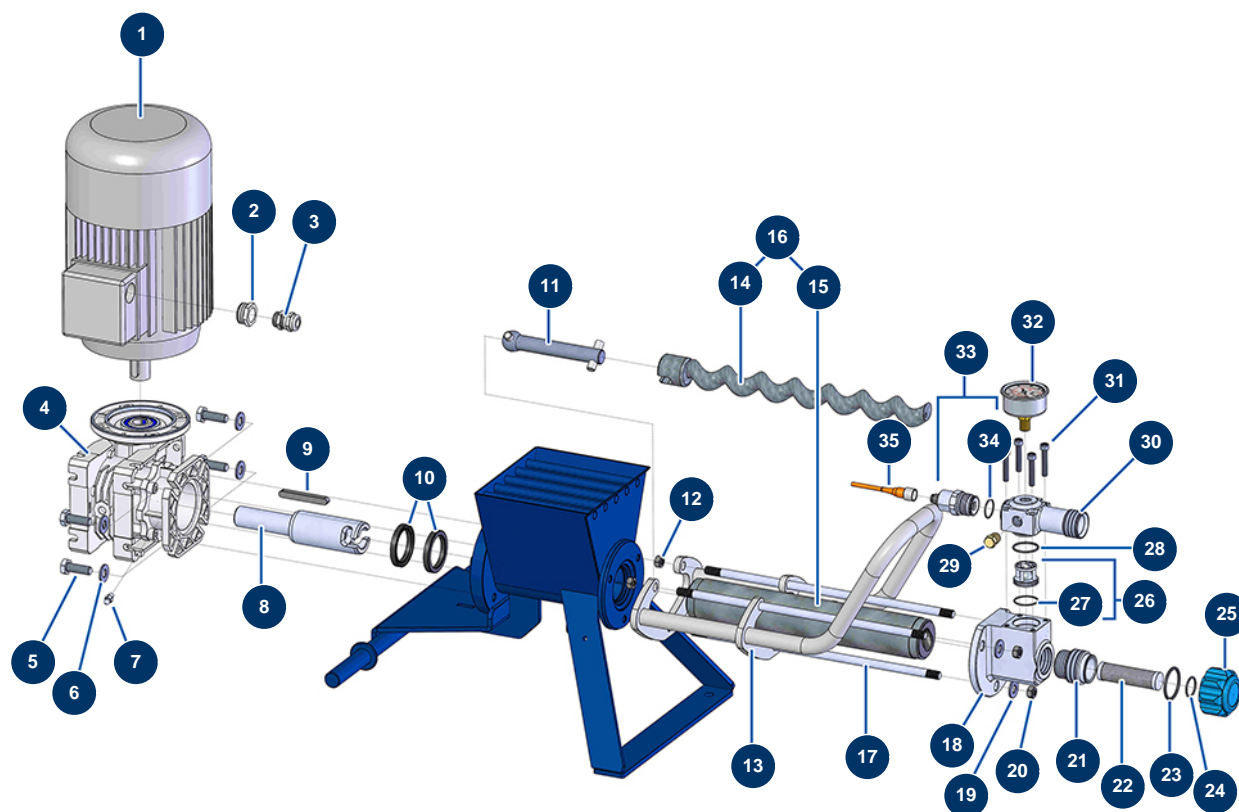


MINIJET 80 complete atomizer - COATSPRAY spray-gun - Transmission



Détails des pièces

Pos.	Référence	Désignation
1	14148	Electric motor 1,5 kW - T90/80 - B14 - 1400 rpm - 400V
2	80446	Cable gland reduction M 25-11
3	30040	Nickel plated watertight cable gland of 11 CEM
4	14498	Speed reducer 90° - T50 - R15 - B14/T90
5	30257	THEF 10 x 25 screw
6	30280	ø 10 inox narrow washer
7	60012	M6 straight lubricator
8	M10645	Bayonet drive shaft for DROPPRO 8P, MINIJET 80
9	90749	8 x 7 x 65 parallel key with round end for 6P,8P,14P,7000z,9000z
10	70062	Spi seal 40 x 52 x 7 for 4,6,8P, AG, MPE, 7000z, 9000z
11	M10649	Connecting rod for DROPPRO 8P, MINIJET 80
12	13979	M10 flat inox nut
13	C22982	DROPPRO & MINIJET pump handle

Pos.	Référence	Désignation
14	MI7009107500	EUROPRO JET 1 pump rotor with bayonet head
15	MI3F00529800	EUROPRO JET 1 pump stator
16	30542	EUROPRO JET 1 pump rotor/stator kit
17	M10226	Fastening tie rod for JETPRO 80
18	M10727	Stator flange for MINIJET/JETPRO without stainless steel insert
19	80261	∅ 10 inox medium washer
20	13978	M10 inox nut
21	M10782	MINIJET/JETPRO stator flange insert
22	30667	15 meshes filter for JETPRO spray-gun
23	14863	35 x 3 O-ring
24	14765	22 x 2 O-ring
25	M10781	BLUE filter plug for stainless steel insert
26	14789	Complete ball cage for MINIJET/JETPRO new generation
27	14607	27 x 1,5 O-ring
28	14764	28 x 2 O-ring
29	90842	1/4" high-pressure MaleC plug
30	M10810	Outer threaded high connector 1" for MINIJET/JETPRO flange
31	12567	6 x 35 cylindrical head screw
32	12623	50 mm axial manometer 1/4" conical - 0 to 160 bar
33	14976	250 Bar 4-20mA pressure sensor
34	14863	35 x 3 O-ring
35	12409	M12 straight female connector with 2m cable