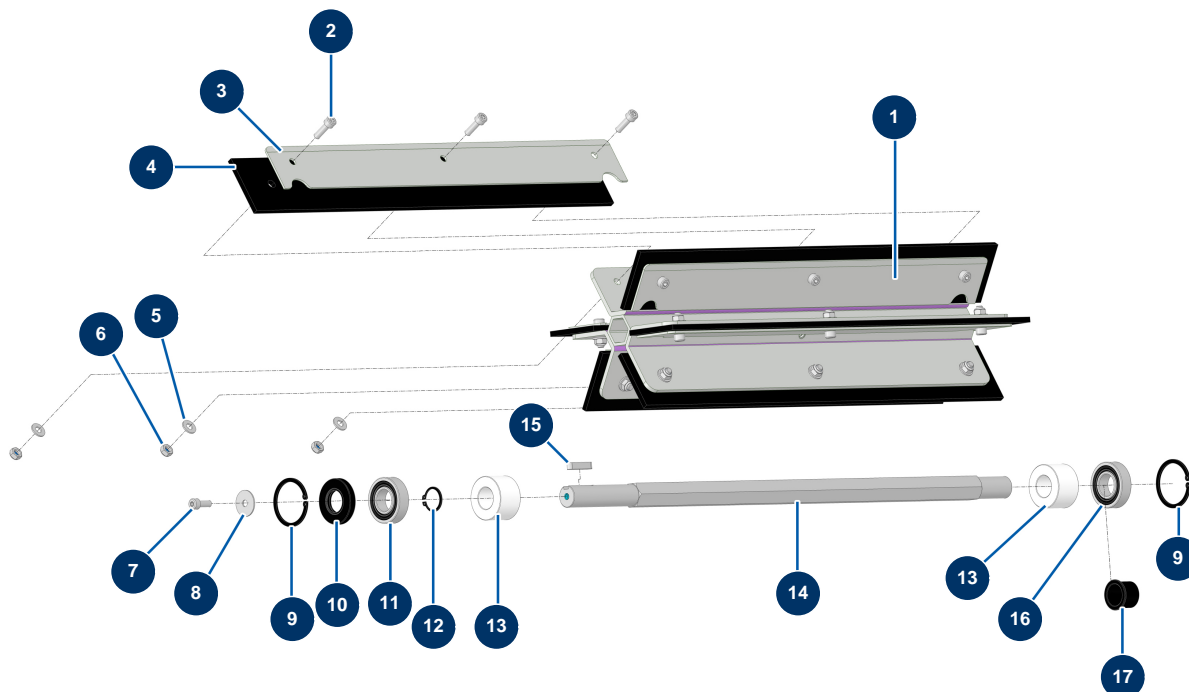


General view



**Uniquement pour TURBISOL 56. / Only for TURBISOL 56. / *Solo per TURBISOL 56. / *Sólo para TURBISOL 56. / *Nur für TURBISOL 56.*

Détails des pièces

| Pos. | Référence | Désignation |
|------|-----------|---|
| 1 | C23153 | TURBISOL 56, 112 & 164 hexagonal rotating distributor |
| 2 | 90996 | 6 x 20 inox cylindrical head screw |
| 3 | C20040 | Blowing machine paddle fixing detachable support |
| 4 | 11992 | Set of 6 foam-rubber blades for version 2 blowing machine distributor |
| 5 | 80259 | Ø 6 medium washer |
| 6 | 20004 | M 6 nylstop nut |
| 7 | 90157 | M6 x 16 cylindrical head screw - CP 60 |
| 8 | 80262 | Very large inox washer Ø 6 |
| 9 | 12210 | Blowing machine distributor Ø 42 inner circlip |
| 10 | 80613 | Spi seal 20 x 42 x 7 |
| 11 | 12944 | TURBISOL 112 blowing machine distributor bearing with conical holder |
| 12 | 12318 | Ø 20 outer circlip |
| 13 | 11907 | Felt gasket Ø 20 x 40 for TURBISOL 56, 112 & 164 blowing machine |

| Pos. | Référence | Désignation |
|-------------|------------------|---|
| 14 | M10787 | TURBISOL 56, 112 & 164 hexagonal distributor shaft |
| 15 | 12000 | 6 x 6 x 29 parallel key with round end |
| 16 | 12209 | TURBISOL 56 and 112 blowing machine distributor bearing |
| 17 | 11904 | Blowing machine 20 x 24 x 20 small flange bearing |