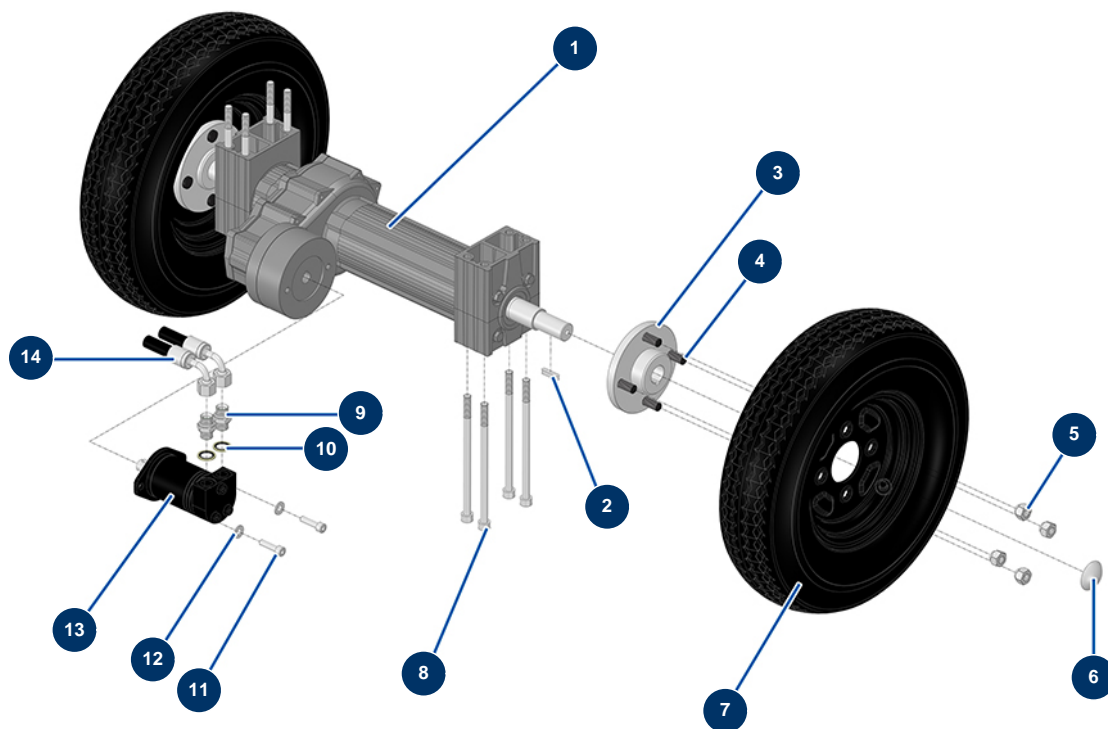


## HYDROLINE L airless self-propelled marking machine - 2 spray-guns - Axle



### Détails des pièces

Pos.	Référence	Désignation
1	51501	
2	12000	6 x 6 x 29 parallel key with round end
3	M10889LP	
4	51449	
5	51450	
6	90282	Ø25 chromed clip
7	51445	
8	15276	10 x 180 cylindrical head screw
9	90698	3/8" MaleD x 3/8" MaleD high-pressure nipple
10	91031	Steel gasket for hollow screw with 3/8 lip
11	90536	8 x 30 cylindrical head screw
12	80260	ø 8 inox medium washer
13	14528	

Pos.	Référence	Désignation
14	51507	