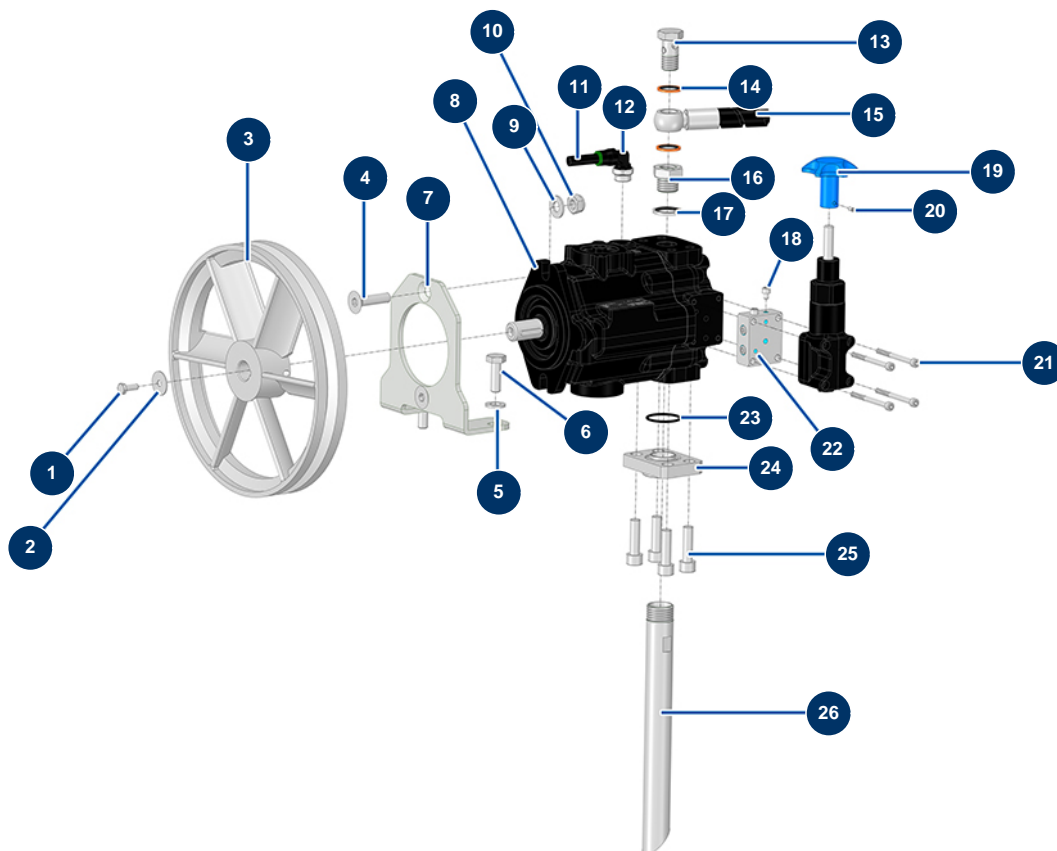


HYDROLINE L airless self-propelled marking machine - 2 spray-guns - Pump



Détails des pièces

Pos.	Référence	Désignation
1	12069	THEF 6 x 16 screw
2	80262	Very large inox washer Ø 6
3	51403	Hydraulic group pulley
4	14499	10 x 40 countersunk head screw
5	30280	ø 10 inox narrow washer
6	30258	THEF 10 x 30 screw
7	C23685	
8	14925	Constant pressure hydraulic pump
9	80261	ø 10 inox medium washer
10	13981	M 10 nylstop inox nut
11	30405	Calibrated polyurethane tube ø 7,5 x 10 black by the metre
12	14778	M3/8 ø 10 cylindrical elbow push-in connector
13	91033	3/8 drilled head screw

Pos.	Référence	Désignation
14	91029	3/8 copper gasket for hollow screw
15	51437	
16	12895	3/8" FemaleD x 1/2" MaleD high-pressure nipple
17	91032	Steel gasket for hollow screw with 1/2" lip
18	15278	5 x 6 cylindrical head screw
19	M10886	
20	310020	4 x 6 stainless steel socket head screw with flat tip
21	12456	5 x 60 cylindrical head screw
22	M10884	
23	1032076	30 x 2,50 O-ring
24	M10862LP	
25	12521	10 x 35 cylindrical head screw
26	M10887	