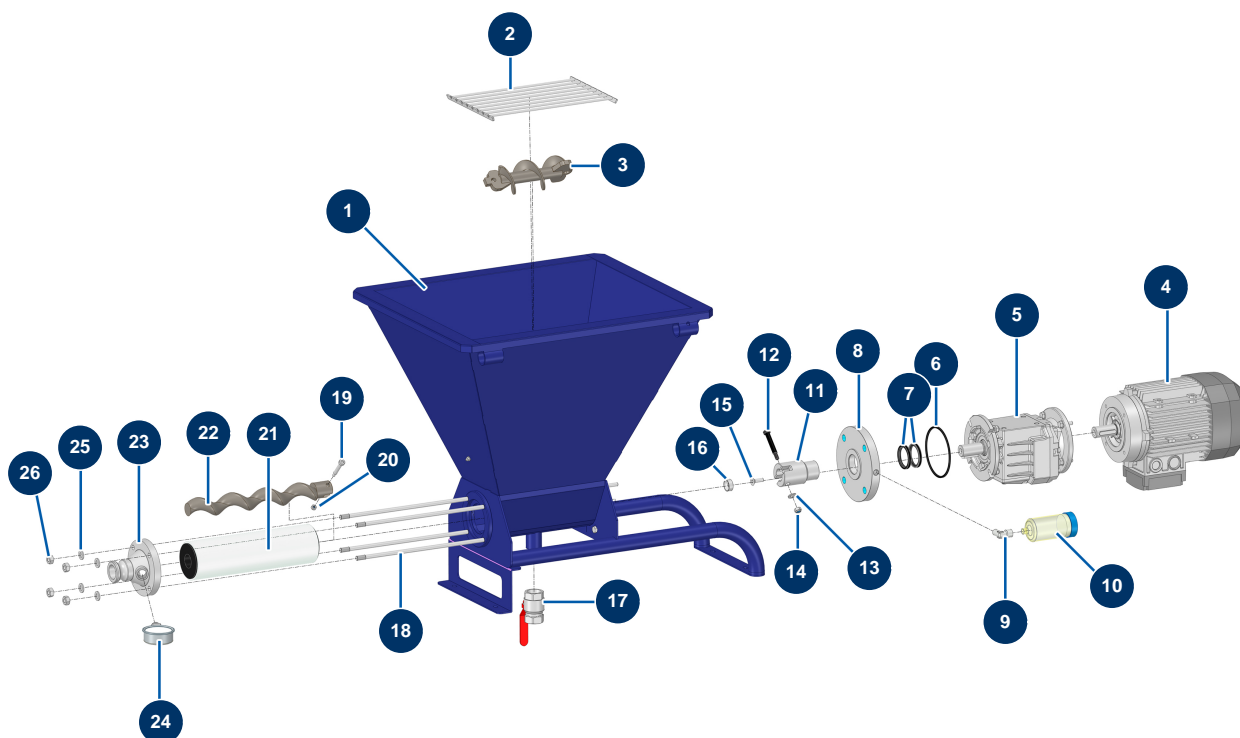


TWINMIX two-component dosing machine - Paint machine



Détails des pièces

Pos.	Référence	Désignation
1	C24038	1
2	C23485	
3	C23616	
4	30044	Electric motor 1,85 kW - T90 - B14 - 1400 rpm - 400V
5	15155	Coaxial speed reducer - T412A - R18,04 - B14/T90
6	13692	CP25 motor flange seal
7	70062	Spi seal 40 x 52 x 7 for 4,6,8P, AG, MPE, 7000z, 9000z
8	M10510	CP25 motor flange
9	30121	90° low-pressure elbow 1/4 MaleC x 1/4 FemaleD
10	90639	Automatic greaser
11	M10811	Drive shaft for CP 25 CLASSIC V3
12	11359	CP 30 transmission shaft screw pin
13	80260	ø 8 inox medium washer

Pos.	Référence	Désignation
14	13980	M 8 nylstop inox nut
15	14186	15
16	M10103	
17	70031	Drain valve for EUROPRO 4-6-8-14 P, MPE, AG, 7000z, 9000z
18	K008040	
19	90520	CP 30 rotor screw pin
20	14217	M 6 nylstop inox nut
21	MI3F00660000	KOSNER MK80 EPDM 70SH pump stator
22	MI7009501400	KOSNER MK 80 pump rotor
23	C24061	23
24	MI3G00100301	
25	30280	ø 10 inox narrow washer
26	13978	M10 inox nut