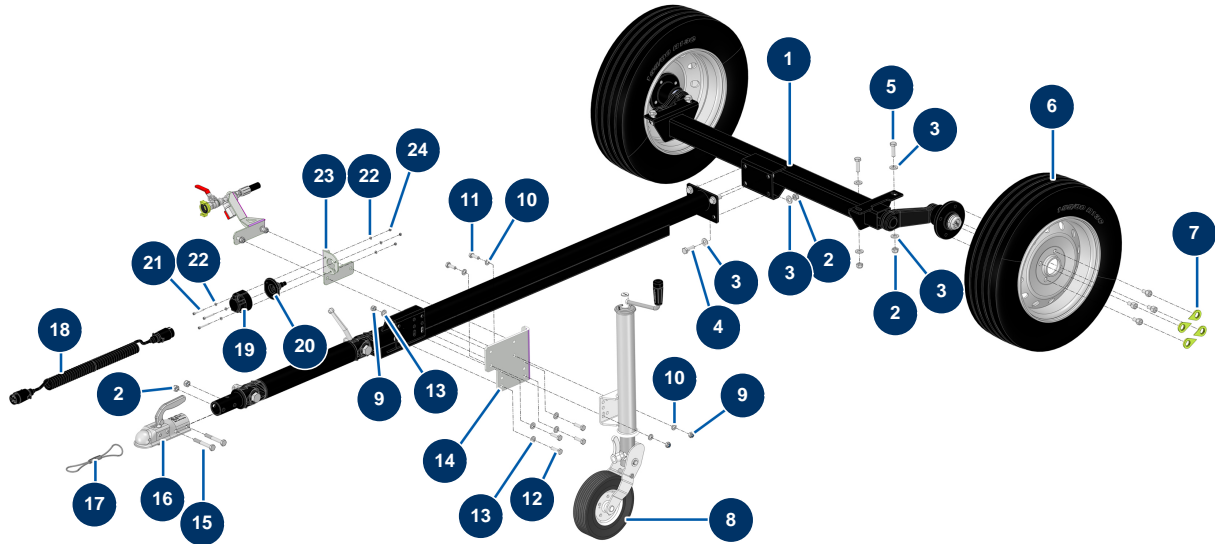


X-PRO D60 V2 spraying machine - Steering gear



Détails des pièces

Pos.	Référence	Désignation
1	15249	
2	10051	M 12 nylstop nut
3	14102	ø 12 inox medium washer
4	K000211	
5	12928	THEF 12 x 40 screw
6	20211	Complete wheel 155/80R13 PCD 98x4 X-PRO D140
7	14645	
8	14891	Automatic jockey wheel 500 Kg X-RO D60/80 & E70
9	60013	M 10 nylstop nut
10	30280	ø 10 inox narrow washer
11	30258	THEF 10 x 30 screw
12	12934	THEF 10 x 35 screw
13	80261	ø 10 inox medium washer

Pos.	Référence	Désignation
14	C20368	Jockey wheel raiser - C.P 60
15	12442	12 x 80 THPF screw
16	15503	
17	14326	Headstock safety cable AK160 ø 50 nut PA - CP 60
18	13284	7-pin metal male sockets 2.5 m x 2 spiral extender - C.P 60
19	13282	Lighting metal 7-pin female socket - C.P 60
20	13283	Lighting metal 7-pin female socket foam rubber gasket - C.P 60
21	11881	Sander head screw M5 x 40
22	70085	ø 5 narrow washer
23	C21078CST	
24	11880	M 5 nylstop nut