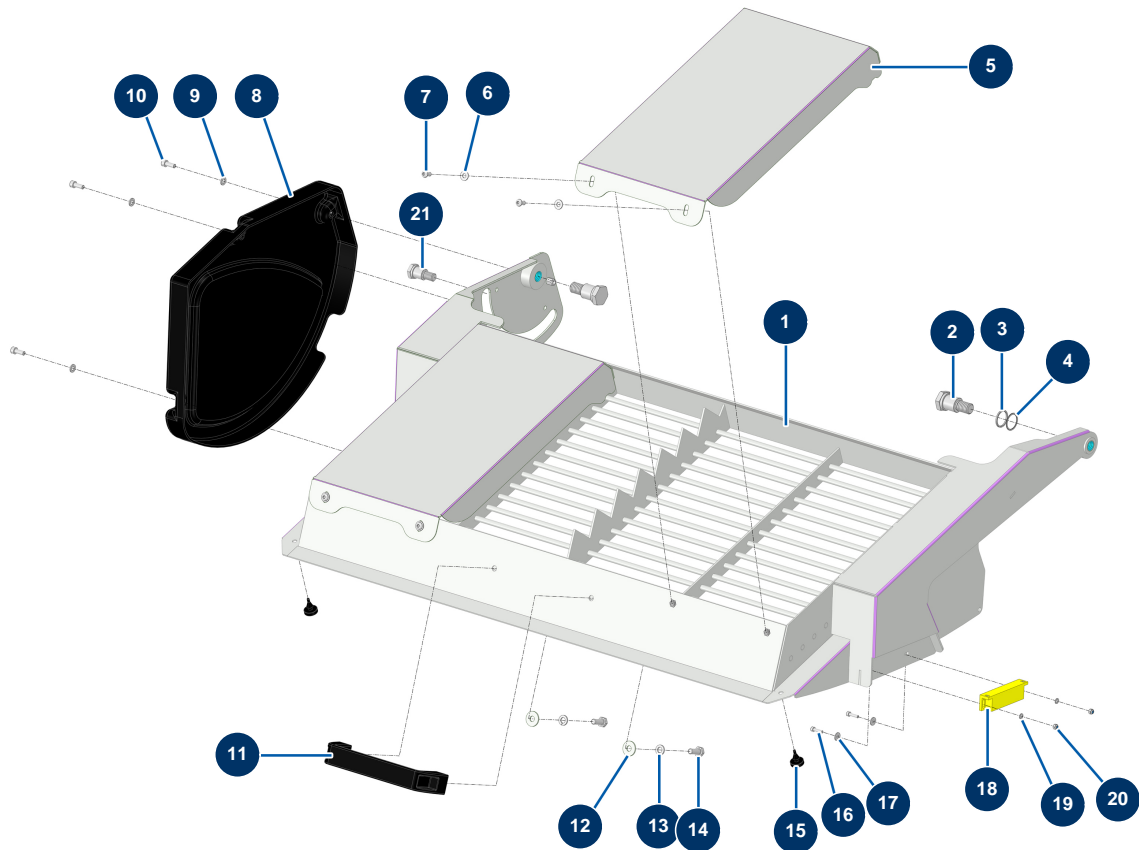


## X-PRO D60 V2 spraying machine - Mixer grid



### Détails des pièces

Pos.	Référence	Désignation
1	C23800	
2	M20013	Pivot pin for CP 60 & 80 anti-dust grid
3		3
4		4
5	C24064C	
6	80259	Ø 6 medium washer
7	13197	Inox mushroom head screw M 6 x 12
8	14221	
9	70087	ø 6 inox narrow washer
10	90157	M6 x 16 cylindrical head screw - CP 60
11	1042523	CP 60 grid handle
12	30292	ø 8 inox large washer
13	80269	Grower washer ø 8

<b>Pos.</b>	<b>Référence</b>	<b>Désignation</b>
14	30273	THEF 8 x 20 screw
15	12385	Mobile hood foam rubber stop - C.P 60
16	90137	4 x 16 cylindrical head screw
17	90129	ø 4 inox large washer
18	13468	Safety grid captor coded magnet for JETMIX, MIXPRO 14, 70 & 100
19	30267	ø 4 inox narrow washer
20	30266	M 4 nylstop nut
21	M10921	Anti-dust grid locking pin X-PRO D60/80