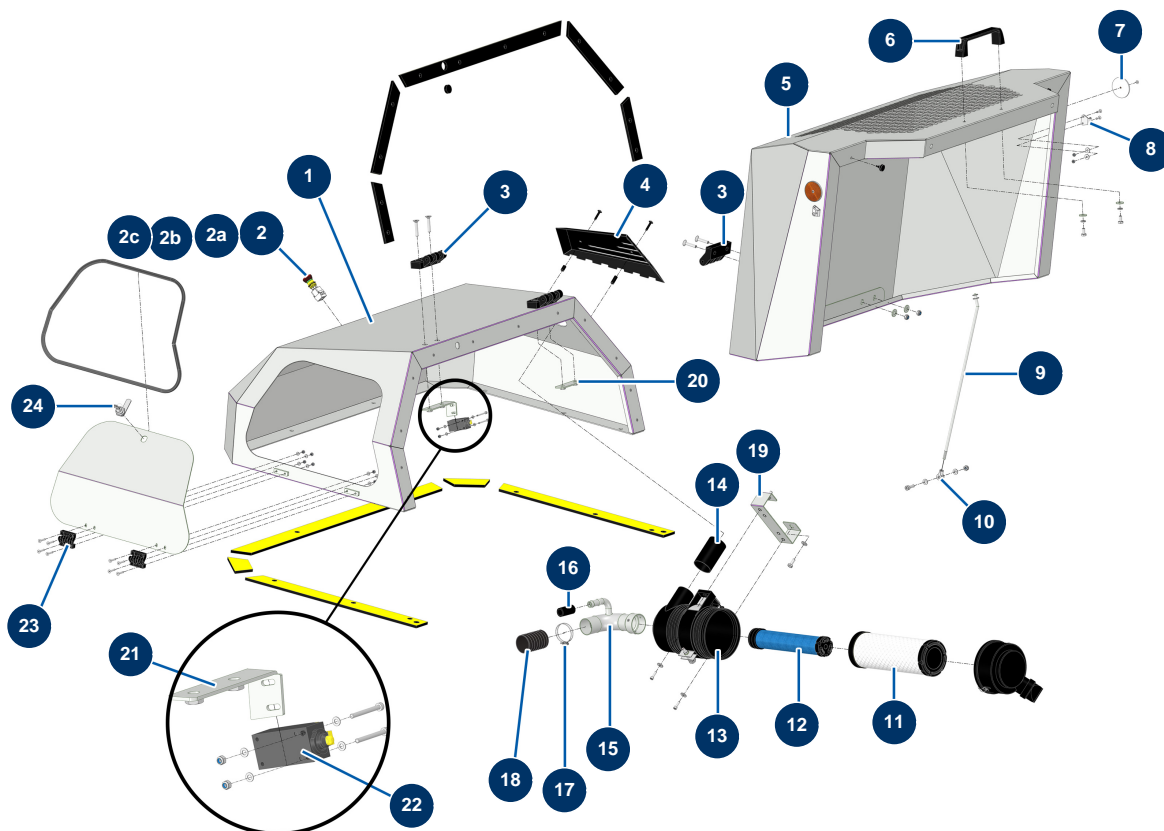


X-PRO D60 V2 spraying machine - Bodywork



Détails des pièces

Pos.	Référence	Désignation
1	C23743	1
2	90727	Hook emergency stop button - CP 60
2a	12664	Security switch adapter / emergency stop button - C.P 60
2b	80448	M 20 waterproof cable gland
2c	12663	Push safety switch - C.P. 60
3	12797	Hood hinge - C.P 60
4	C23749	4
5	C23756	
6	1042523	CP 60 grid handle
7	12361	Round & orange reflector - C.P 60
8	15022	Adjustable toggle locking hook
9	C23859	9
10	13240	

Pos.	Référence	Désignation
11	30762	Donaldson filter standard air cartridge for KOHLER KDW 1003 & 1404 motors
12	30763	Donaldson filter safety air cartridge for KOHLER KDW 1003 & 1404 motors
13	30761	Complete Donaldson cyclonic air filter for KOHLER KDW 1003 & 1404 engine
14	C23744	14
15	C22280	15
16	10727	
17	12723	Double wire clamp ø 56 x 65 - CP 60
18	12538	PVC GAS sheath Ø 50 by the metre - C.P 60
19	C23746	19
20	C23738	20
21	C24070	21
22	12663	Push safety switch - C.P. 60
23	13036	
24	13035	